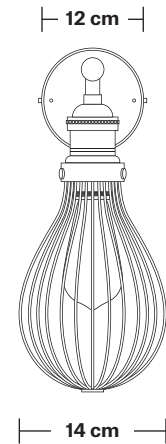
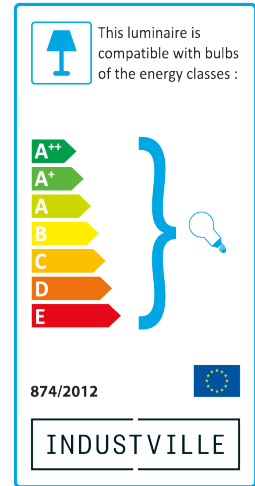
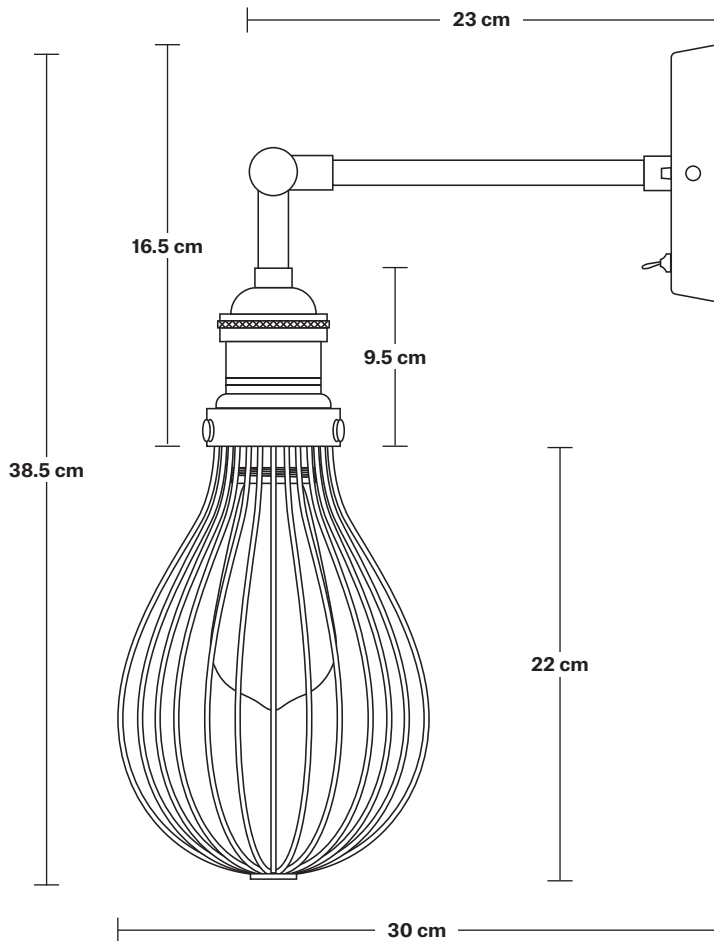


Brooklyn Balloon Cage Wall Light - 6 Inch

Product Code: BR-BCWL6

H: 38.5 cm x W: 14 cm x D: 30 cm



SPECIFICATIONS

We meet all UK and EU lighting and safety regulations.

Our products are hand finished to ensure an authentic vintage look and therefore they may vary slightly from those shown in the images.

Bulb required: Standard screw (E27) fitting, max 40W.

Shade weight: 0.25 kg | **Holder weight:** 0.65 kg

Maximum weight: 0.85 kg

INFORMATION

Finishes: Pewter and Copper.

Ready to be installed, installation required.

Wall mount screws not included.

The lights can be operated by both the flick switch or the main switch.

Holders available: Brass, Pewter and Copper.

Wall mount: Pewter.

DIMENSIONS

Shade Diameter: 14 cm / 5.5"

Shade Height (no holder): 22 cm / 8.6"

Holder Diameter: 6 cm / 2.4"

Holder Height: 16.5 cm / 7.1"

Rose Diameter: 12 cm / 4.7"

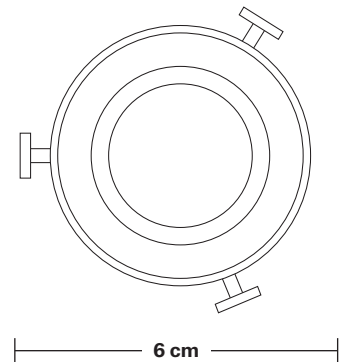
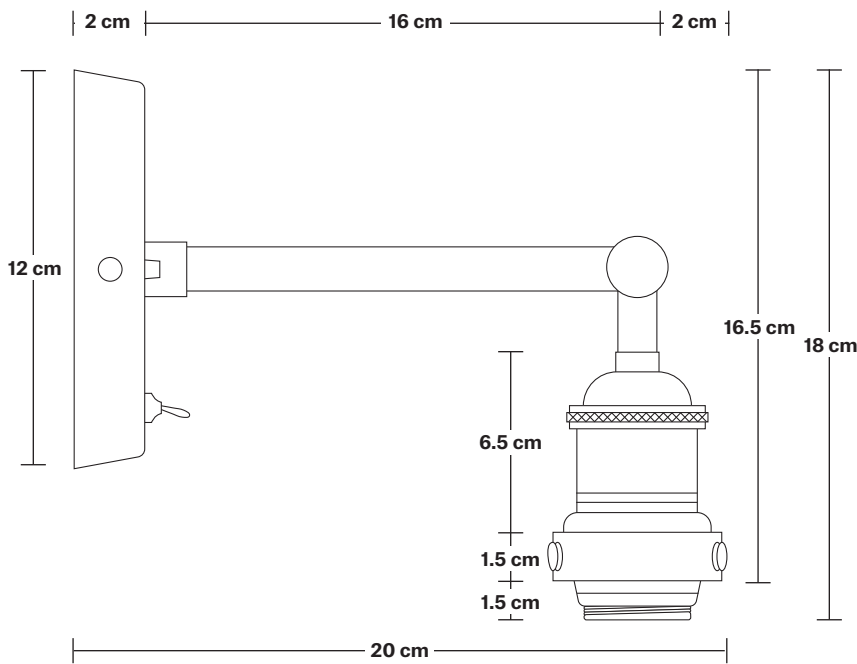
Rose Height: 2 cm / 0.8"

INDUSTVILLE

Brooklyn Wall Light Holder

Product Code: BR-WL

H: 18 cm x W: 12 cm x D: 20 cm



SPECIFICATIONS

We meet all UK and EU lighting and safety regulations.

Our products are hand finished to ensure an authentic vintage look and therefore they may vary slightly from those shown in the images.

Bulb required: Standard screw (E27) fitting, max 40W.

Weight: 0.6 kg

INFORMATION

Finishes: Brass, Pewter and Copper.

Ready to be installed, installation required.

Wall mount screws not included.

Wall mount rose: Pewter.

DIMENSIONS

Holder Diameter: 6 cm / 2.5"

Holder Height: 18 cm / 7.1"

Projection: 20 cm / 7.9"

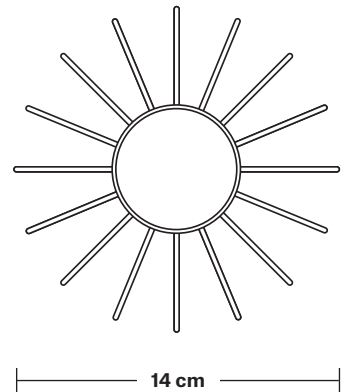
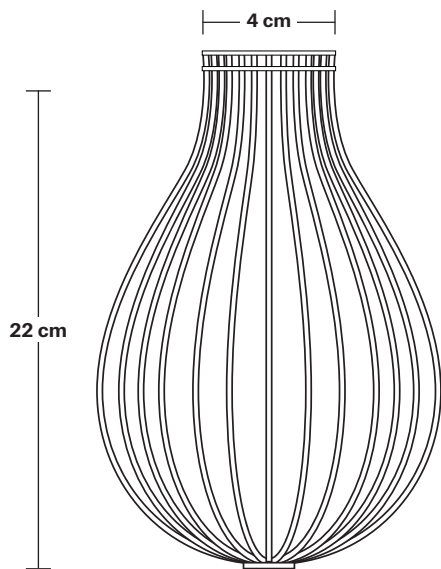
Ceiling Rose Diameter: 12 cm / 4.9"

Ceiling Rose Depth: 2 cm / 0.8"

Balloon Cage - 6 Inch - Shade Only

Product Code:BC6-SO

H: 22 cm x W: 14 cm x D: 14 cm



SPECIFICATIONS

We meet all UK and EU lighting and safety regulations.

Our products are hand finished to ensure an authentic vintage look and therefore they may vary slightly from those shown in the images.

Bulb required: Standard screw (E27) fitting, max 40W.

Shade weight: 0.25 kg

INFORMATION

Finishes: Pewter and Copper.

Ready to be installed, installation required.

Wall mount screws not included.

DIMENSIONS

Shade Diameter: 14 cm / 5.5"

Shade Height (no holder): 22 cm / 8.6"

Balloon Cage - 6 Inch - Pewter

Shade Only

Balloon Cage - 6 Inch - Pewter - Shade Only	BC6-P-SO
---	-----------------

Brooklyn Balloon Cage Pendant - 6 Inch - Pewter

Brooklyn Balloon Cage Pendant - 6 Inch - Pewter - Brass Holder	BR-BCP6-P-BH
--	---------------------

Brooklyn Balloon Cage Pendant - 6 Inch - Pewter - Pewter Holder	BR-BCP6-P-PH
---	---------------------

Brooklyn Balloon Cage Pendant - 6 Inch - Pewter - Copper Holder	BR-BCP6-P-CH
---	---------------------

Brooklyn Balloon Cage Flush Mount - 6 Inch - Pewter

Brooklyn Balloon Cage Flush Mount - 6 Inch - Pewter - Brass Holder	BR-BCFM6-P-BH
--	----------------------

Brooklyn Balloon Cage Flush Mount - 6 Inch - Pewter - Pewter Holder	BR-BCFM6-P-PH
---	----------------------

Brooklyn Balloon Cage Flush Mount - 6 Inch - Pewter - Copper Holder	BR-BCFM6-P-CH
---	----------------------

Brooklyn Balloon Cage Wall Light - 6 Inch - Pewter

Brooklyn Balloon Cage Wall Light - 6 Inch - Pewter - Brass Holder	BR-BCWL6-P-BH
---	----------------------

Brooklyn Balloon Cage Wall Light - 6 Inch - Pewter - Pewter Holder	BR-BCWL6-P-PH
--	----------------------

Brooklyn Balloon Cage Wall Light - 6 Inch - Pewter - Copper Holder	BR-BCWL6-P-CH
--	----------------------