

GRWP08	Cat. #		SELSER™ LIGHTING PRODUCTS
	Job	Type	
			Approvals

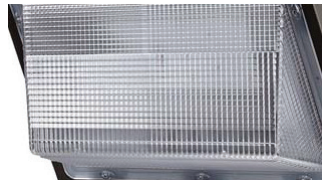


MOUNTING OPTIONS



Housing

Suitable for both indoor and outdoor application, also suitable for J-BOX mounting and surface mounting.



Lens

Polycarbonate optical lens with UV stabilizers do not exhibit yellowing and deformation.



Photocell

Optional photocell allows for security and energy saving.

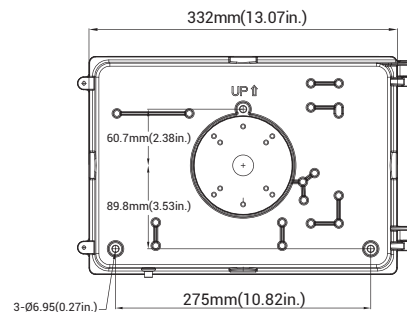
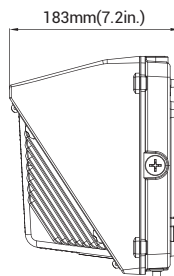
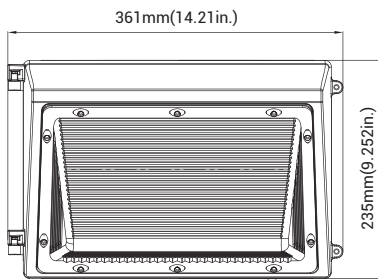


1/2inch threaded hole

3pcs hole can support wires coming out from the hole for easier wire connections.

DIMENSIONS

unit: mm/inch



Weight
 30W: 6.327lb
 40W: 6.525lb
 65W: 6.724lb
 90W: 7.319lb



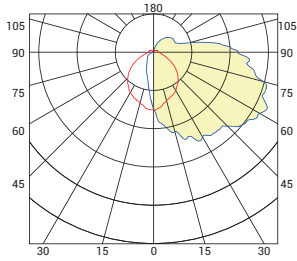
© 2019 Selsler Lighting Products All rights reserved.

Due to our continued efforts to improve our products, product specifications are subject to change without notice. Selsler Lighting Products reserves the right to make changes in specifications and/or to discontinue any product at any time without notice or obligation and will not be liable for any consequences resulting from the use of this publication.



Selsler Lighting Products
 Po Box 45160
 Baton Rouge, La. 70895
 Phone # (225) 412-0025

PHOTOMETRICS



ACCESSORIES



Photocell

NO. PC-JL-120-277V

Use: Photocell is field installed or Pre-installed in factory by requesting.

PERFORMANCE DATA

PERFORMANCE DATA		4000K (70CRI)		5000K (70CRI)	
SYSTEM WATTS	VOLTAGE	LUMENS	LPW	LUMENS	LPW
30W	120-277VAC	3550lm	118 lm/W	3600lm	120 lm/W
40W	120-277VAC	5000lm	125 lm/W	5100lm	128 lm/W
65W	120-277VAC	7800lm	120 lm/W	7900lm	122 lm/W
90W	120-277VAC	10000m	111 lm/W	10500m	117 lm/W

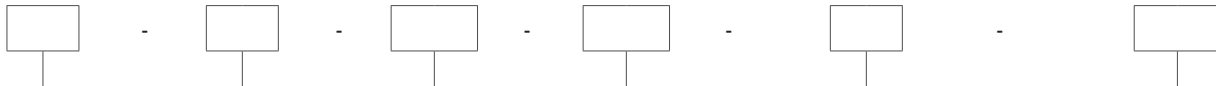
ELECTRICAL DATA

NUMBER OF DRIVERS	DRIVER CURRENT (mA)	NOMINAL POWER (W)	INPUT VOLTAGE (V)	CURRENT (Amps)
1	430	30	120	0.25
		30	208	0.14
		30	240	0.13
		30	277	0.11
1	640	40	120	0.33
		40	208	0.19
		40	240	0.17
		40	277	0.14
1	1110	65	120	0.54
		65	208	0.31
		65	240	0.27
		65	277	0.23
1	2270	90	120	0.75
		90	208	0.43
		90	240	0.38
		90	277	0.32

FEATURES

- » Sealed die-casting profile for indoor and outdoor applications
- » Voltage is 120-277V
- » Lumen output from 3550-10500lm with efficacy up to 128lm/W
- » Polycarbonate optical lens with UV stabilizers
- » Photocell optional
- » Replacing 100W MH and 250W MH
- » Operating temperature is -40°C to 45°C (-40°F to 104°F)
- » UL/cUL wet location listed and DLC qualified

ORDER MATRIX



FIXTURE TYPE	WATTAGE	VOLTAGE	CCT	FINISH	PHOTOCELL (Option)
GRWP08	30 30W	27V 120-277V	40K 4000K	DB Dark Bronze B Black W White SG Silver Gray	PO 120-277V Photocell Blank Without Photocell
	40 40W				
	65 65W	48V 347-480V	50K 5000K		
	90 90W				



© 2019 Selser Lighting Products All rights reserved.

Due to our continued efforts to improve our products, product specifications are subject to change without notice. Selser Lighting Products reserves the right to make changes in specifications and/or to discontinue any product at any time without notice or obligation and will not be liable for any consequences resulting from the use of this publication.

SELSER™
LIGHTING PRODUCTS

Selser Lighting Products
Po Box 45160
Baton Rouge, La. 70895
Phone # (225) 412-0025