

GRLF02	Cat. #		SELSETM LIGHTING PRODUCTS
	Job	Type	
			Approvals



MOUNTING OPTIONS



1/2" Knockouts

End Cap Wiring Knockouts are designed for connecting multiple fixtures, to achieve 4ft, 8ft & 12ft length etc.



1/2" Knockouts

This 1/2" knockouts can be designed for external PIR sensor allows for security and energy saving.



Housing

Easy installation and lower maintenance, and one-piece housing does not require additional accessories, more cost-effective.



Emergency Battery

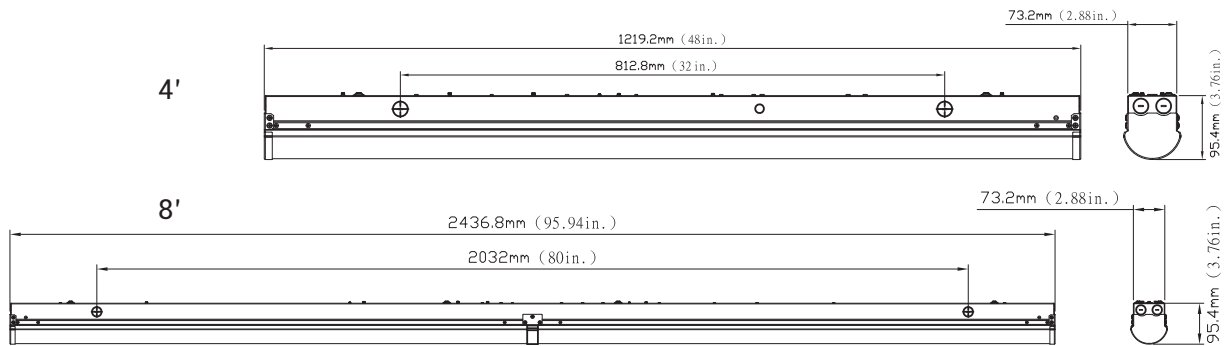
8W 900lm 90min

DIMENSIONS

unit: mm/inch

Weight
35W: 5.75lb
45W: 5.88lb

Weight
65W: 11.28lb
80W: 11.42lb



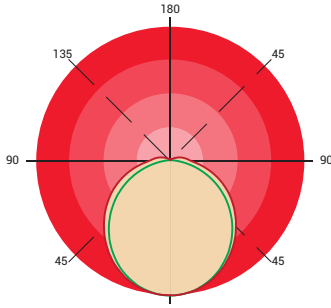
© 2019 Selsler Lighting Products All rights reserved.

Due to our continued efforts to improve our products, product specifications are subject to change without notice. Selsler Lighting Products reserves the right to make changes in specifications and/or to discontinue any product at any time without notice or obligation and will not be liable for any consequences resulting from the use of this publication.



Selsler Lighting Products
Po Box 45160
Baton Rouge, La. 70895
Phone # (225) 412-0025

PHOTOMETRICS



ENERGY SAVING REPLACEMENT

SIZE	POWER	REPLACING
4ft	30	T8x2
4ft	45	T5HOx2
8ft	60	T8HOx2
8ft	80	T5HOx4/T8x4

PERFORMANCE DATA

SYSTEM WATTS	SIZE	LENS	VOLTAGE	3000K (CRI80)		4000K (CRI80)		5000K (CRI80)	
				LUMENS	LPW	LUMENS	LPW	LUMENS	LPW
23W	4 FT	Frosted	120-277VAC/347-480V	2900lm	126lm/W	3000lm	130lm/W	3050lm	133lm/W
35W	4 FT	Frosted	120-277VAC/347-480V	4450lm	127lm/W	4650lm	133lm/W	4700lm	134lm/W
45W	4 FT	Frosted	120-277VAC/347-480V	5700lm	127lm/W	6000lm	133lm/W	6050lm	134lm/W
46W	8 FT	Frosted	120-277VAC/347-480V	5750lm	125lm/W	6050lm	132lm/W	6100lm	133lm/W
65W	8 FT	Frosted	120-277VAC/347-480V	8300lm	128lm/W	8700lm	134lm/W	8750lm	135lm/W
80W	8 FT	Frosted	120-277VAC	9900lm	124lm/W	10500lm	131lm/W	10550lm	132lm/W
85W	8 FT	Frosted	347/480VAC	9900lm	116lm/W	10500lm	124lm/W	10550lm	124lm/W

ELECTRICAL DATA

SIZE	NUMBER OF DRIVERS	DRIVER CURRENT (mA)	NOMINAL POWER (W)	INPUT VOLTAGE (V)	CURRENT (Amps)
4 FT	1	530	23	120	0.19
			23	208	0.11
			23	240	0.10
		530	23	277	0.08
			23	347	0.07
			23	480	0.05
4 FT	1	850	35	120	0.29
			35	208	0.17
			35	240	0.15
		1020	35	277	0.13
			35	347	0.10
			35	480	0.07
4 FT	1	1120	45	120	0.38
			45	208	0.22
			45	240	0.19
		1200	45	277	0.16
			45	347	0.13
			45	480	0.09
8 FT	1	1120	46	120	0.38
			46	208	0.22
			46	240	0.19
		1200	46	277	0.17
			46	347	0.13
			46	480	0.10
8 FT	1	1500	65	120	0.54
			65	208	0.31
			65	240	0.27
		1600	65	277	0.23
			65	347	0.19
			65	480	0.14
8 FT	1	2100	80	120	0.67
			80	208	0.38
			80	240	0.33
			80	277	0.29
			85	347	0.24
			85	480	0.18



© 2019 Selser Lighting Products All rights reserved.

Due to our continued efforts to improve our products, product specifications are subject to change without notice. Selser Lighting Products reserves the right to make changes in specifications and/or to discontinue any product at any time without notice or obligation and will not be liable for any consequences resulting from the use of this publication.



Selser Lighting Products
 Po Box 45160
 Baton Rouge, La. 70895
 Phone # (225) 412-0025

Applications: Suitable for commercial, retail and institutional applications including gymnasiums, factories and warehouses.

FEATURES

- » Available for 4ft and 8ft as per applications
- » Surface mounting or Chain mounting for different applications
- » PIR Sensor and Emergency Battery support
- » Voltage is 120-277V or 347-480V
- » Standard 1-10V dimming available
- » Projected life span of 50,000 hrs
- » Comparable to T8 or T5HO
- » Operating temperature is -40°C to 40°C (-40°F to 104°F)
- » UL/cUL listed and DLC qualified

ORDER MATRIX



FIXTURE TYPE	WATTAGE	VOLTAGE	CCT	SENSOR (Option)	Backup Battery (Option)	LENS
GRLF02	67 67W 90 90W 97 97W 100 100W 140 140W 180 180W	12V 120-277V 48V 347-480V	40K 4000K 50K 5000K	M With Sensor Blank Without Sensor	B Emergency Battery Blank Without Emergency Battery	F Frosted lens



© 2019 Selsler Lighting Products All rights reserved.
 Due to our continued efforts to improve our products, product specifications are subject to change without notice. Selsler Lighting Products reserves the right to make changes in specifications and/or to discontinue any product at any time without notice or obligation and will not be liable for any consequences resulting from the use of this publication.



Selsler Lighting Products
 Po Box 45160
 Baton Rouge, La. 70895
 Phone # (225) 412-0025