

GRDD03	Cat. #		SELSETM LIGHTING PRODUCTS
	Job	Type	
			Approvals



5 Year
Warranty

MOUNTING OPTIONS



Mounting arm kit

USE: For pole mounting

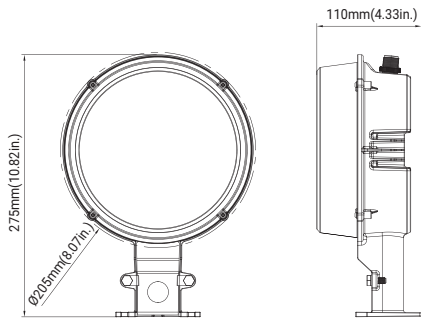


Photocell

No. PC-JL-120-277V

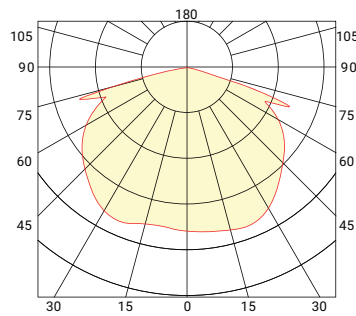
USE: Photocell is field installed or pre-installed in factory by requesting

MOUNTING DIMENSIONS



Net Weight :
27W: 2.205lb
40W: 2.403lb

PHOTOMETRICS



PERFORMANCE DATA

PERFORMANCE DATA			4000K (70CRI)		5000K (70CRI)	
SYSTEM WATTS	VOLTAGE	CRI	LUMENS	LPW	LUMENS	LPW
27W	120-277VAC	70	3780lm	140 lm/W	3800lm	141 lm/W
40W	120-277VAC	70	5550lm	139 lm/W	5600lm	140 lm/W



© 2019 Selser Lighting Products All rights reserved.

Due to our continued efforts to improve our products, product specifications are subject to change without notice. Selser Lighting Products reserves the right to make changes in specifications and/or to discontinue any product at any time without notice or obligation and will not be liable for any consequences resulting from the use of this publication.

SELSETM
LIGHTING PRODUCTS

Selser Lighting Products
Po Box 45160
Baton Rouge, La. 70895
Phone # (225) 412-0025

The LED Dusk to Dawn combines optical performance, energy efficiency and versatility to meet the needs of any area. It features a power door for easy maintenance and 3G vibration rated construction. This LED solution provides uniform and energy conscious illumination for municipal streets, commercial and perimeter lighting.

FEATURES

- » Initial Delivered Lumens: 3,780~5600lm
- » CRI: ≥ 70
- » CCT: Optional 3000K, 4000K and 5000K
- » Mounting: Mounts directly to wall surface or to pole with mounting arm (accessory sold separately)
- » Operating Minimum: -40°C (-40°F)
- » Lifespan: Estimated >50,000 Hours
- » Power Factor: ≥ 0.9
- » Total Harmonic Distortion: ≤20%
- » Limited Warranty: 5 Years
- » Replaces up to 175W MH
- » Durable, die-cast aluminum housing dark bronze polyester powder-coat finish
- » Twist-lock photocell included
- » General Area Illumination
- » Entryways & Pathways
- » Yards & Loading Docks
- » Input Voltage: 120-277V
- » Operating Temperature Range: -40°C - + 45°C (-40°F - + 113°F)
- » cULus Listed
- » Suitable for wet locations

ORDER MATRIX



FIXTURE TYPE	WATTAGE	VOLTAGE	CCT	FINISH	PHOTOCELL (Option)
GRDD03	27 27W 40 40W	27V 120-277V	30K 3000K 40K 4000K 50K 5000K	D Dark Bronze B Black W White SG Silver Gray	P0 120-277V Photocell P1 120V Photocell



© 2019 Selsler Lighting Products All rights reserved.
 Due to our continued efforts to improve our products, product specifications are subject to change without notice. Selsler Lighting Products reserves the right to make changes in specifications and/or to discontinue any product at any time without notice or obligation and will not be liable for any consequences resulting from the use of this publication.

SELSELER
 LIGHTING PRODUCTS

Selsler Lighting Products
 Po Box 45160
 Baton Rouge, La. 70895
 Phone # (225) 412-0025