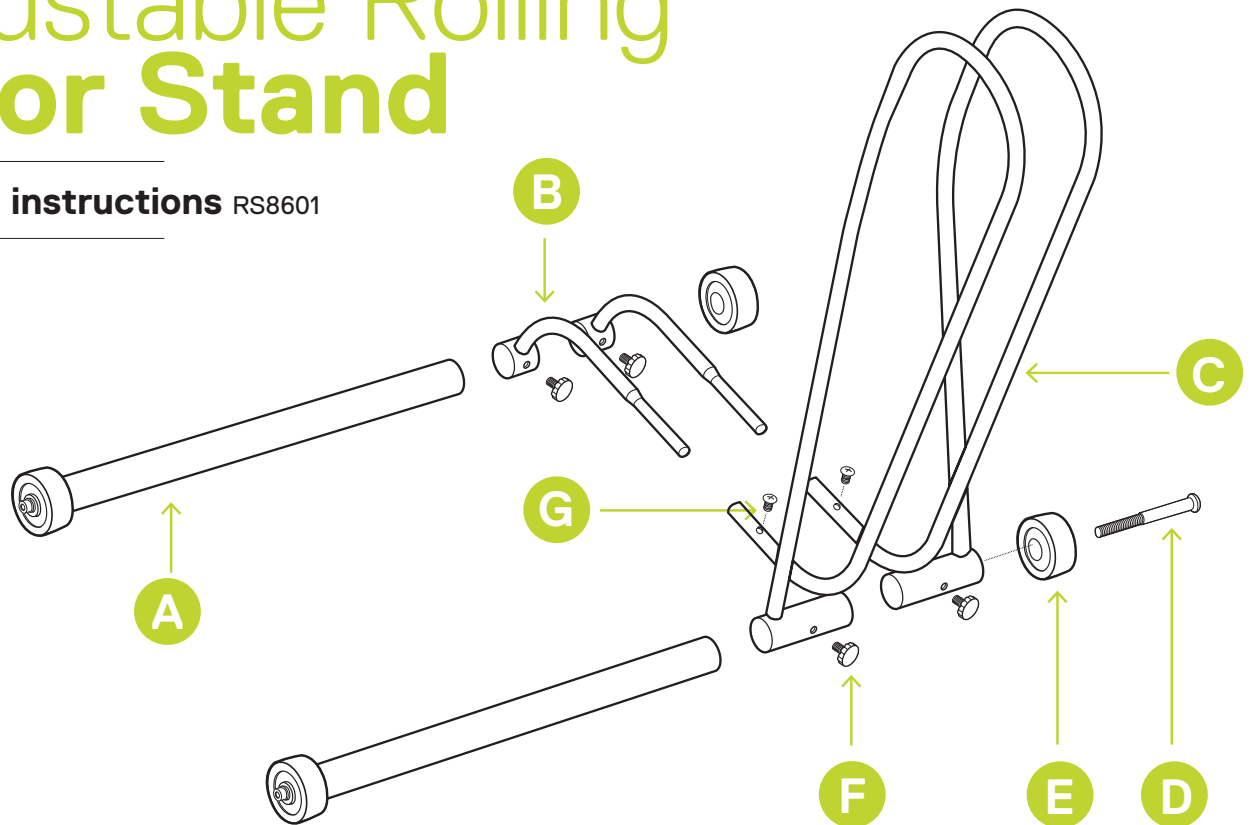




Single Bike Adjustable Rolling Floor Stand

Assembly instructions RS8601

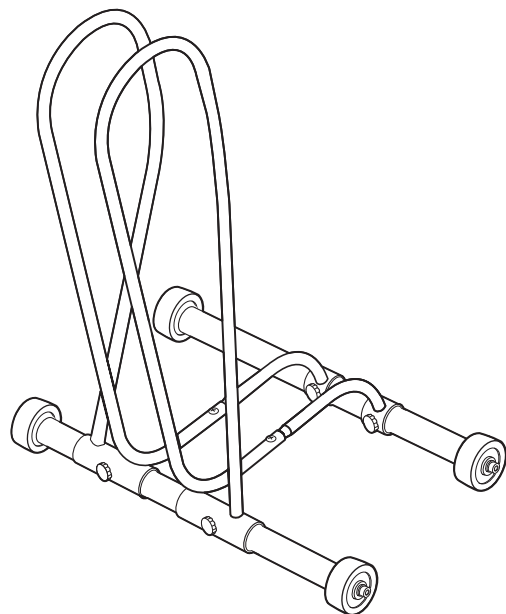


Parts

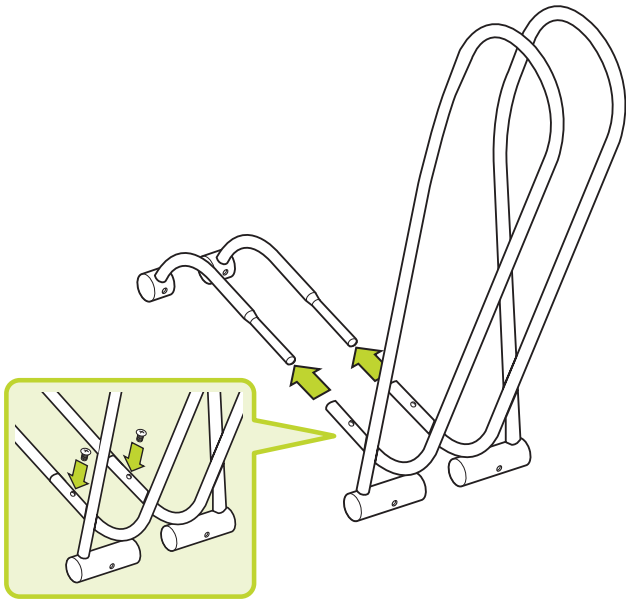
- A** x2 — Base with Wheel
- B** x2 — Front Arms
- C** x2 — Rear Arms
- D** x2 — Wheel Screws
- E** x2 — Wheel
- F** x4 — Thumb Screws
- G** x2 — Rear Arm Screws

Tool Required

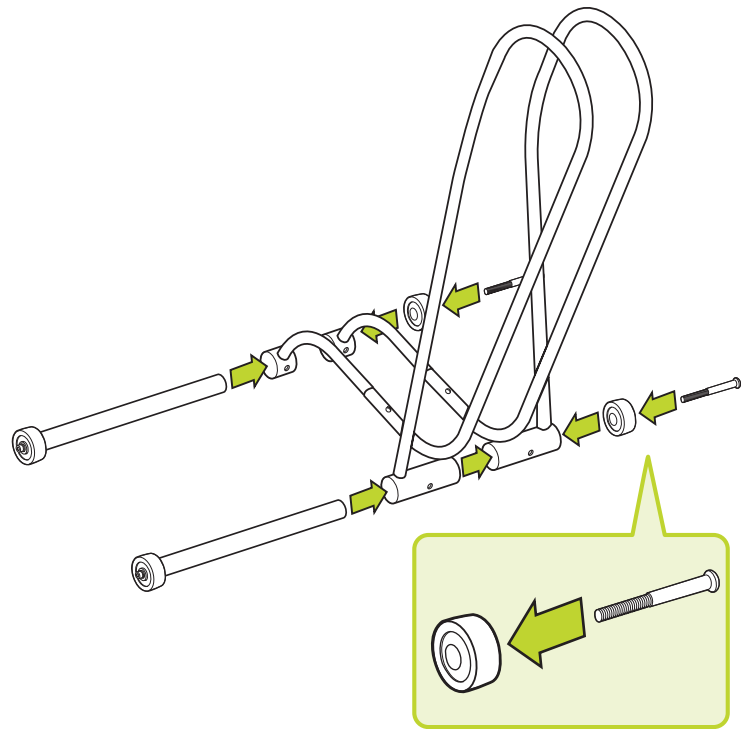
Phillips Head
Screwdriver



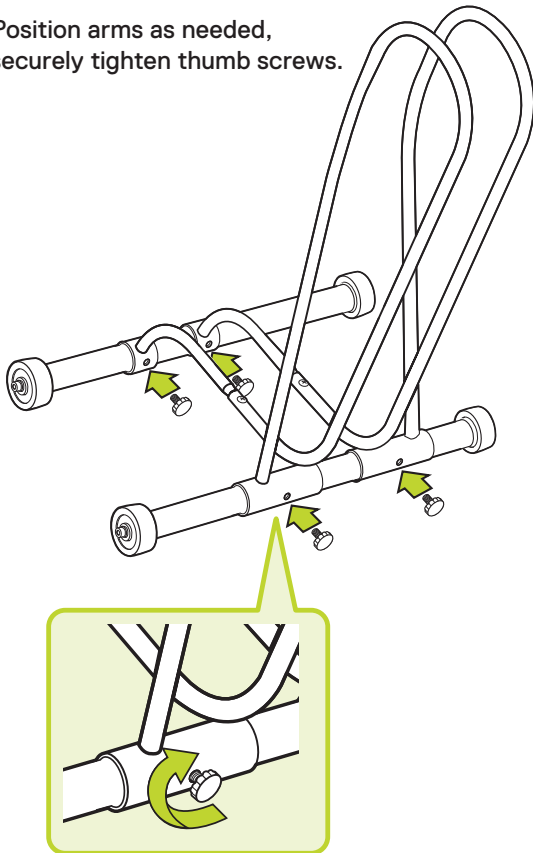
- 1 Attach front and rear arms.
Tighten rear arm screws securely.



- 2 Slide in base with wheels through arms.
Attach wheels to opposite end using wheel screw.



- 1 Position arms as needed,
securely tighten thumb screws.



Arm Adjustment:

Simply slide, then lock in place
Precisely holds any wheel size
(from 0.5" to 5")

