

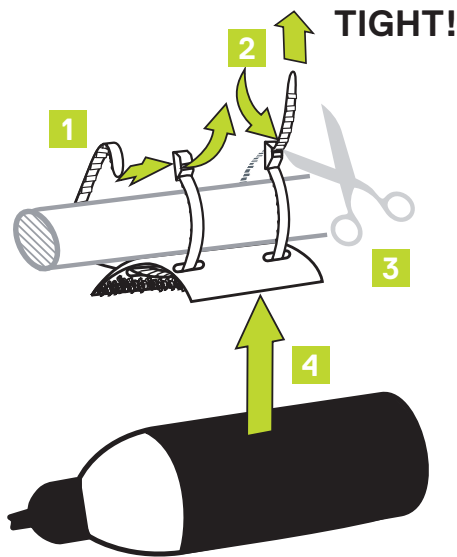
delta

Airzound Horn

Assembly instructions AH1000

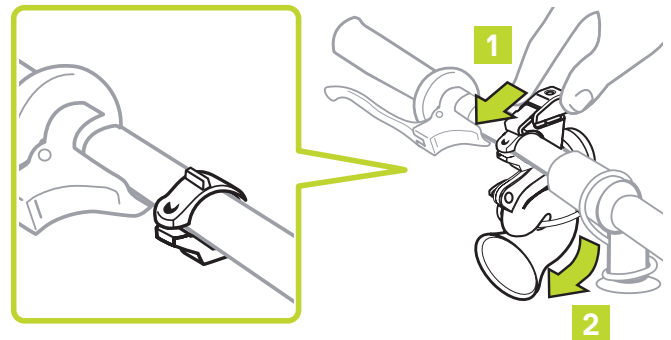
INSTALL AIRZOUND RESERVOIR

Install into water bottle holder or mount to frame using velcro strip and straps (included). Use extra velcro strap to secure firmly.



INSTALL AIRZOUND HORN

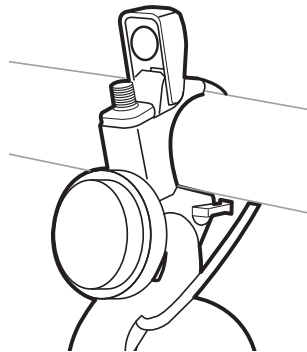
Install clamp onto handlebar using rubber shims supplied. Hook horn onto top of clamp and slide on straight through slot. Horn should click twice. Wrap extra tubing around handlebar and stem. Make certain neither horn nor bottle will fall near wheel should either become dislodged. Apply a UV protectant (such as ArmorAll™) to the tube to extend its life. Includes 2 clamps: regular and oversized and extra AZ attaching strap. Use it to secure the air bottle in cage or on frame.



TO REFILL

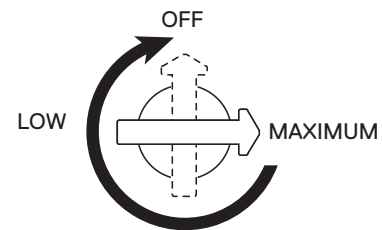
Set volume control to maximum (unrestrict tube). Lift activator button. Refill with bicycle pump or air compressor to maximum 80 psi (5.5 bar) Thumblock lever pump or air chuck is recommended.

Wrap AZ strap around bottle to increase its diameter for better bottle cage fit. For frame attachment, wrap AZ strap around bottle and frame for more secure install or use the strap for your pant cuff to keep it clean. Ensure your pump is pushed down over the refill valve as far as possible. The inner pin must be engaged for air to flow in.



VOLUME CONTROL

(turn clockwise)
Turn knob to restrict air tube and adjust volume.
FOR BEST RESULTS USE SHORT SOUND BLASTS.



WARNING

AIR ZOUND IS VERY LOUD! Do not use unnecessarily or close to ears. Use supplied AIR ZOUND Pressure vessel only! Extreme cold will inhibit performance.