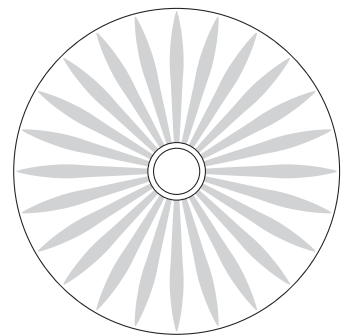
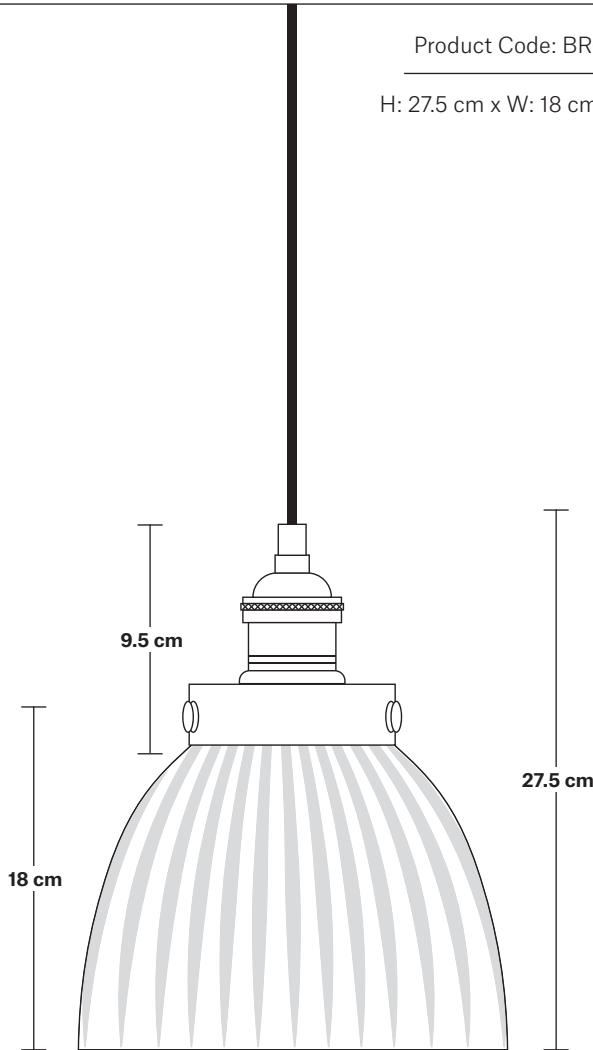


Brooklyn Glass Cone Pendant - 7 Inch

Product Code: BR-GLCP7

H: 27.5 cm x W: 18 cm x D: 18 cm



18 cm

SPECIFICATIONS

We meet all UK and EU lighting and safety regulations.

Our products are hand finished to ensure an authentic vintage look and therefore they may vary slightly from those shown in the images.

Bulb required: Standard screw (E27) fitting, max 40W.

Shade weight: 0.8 kg | **Holder weight:** 0.58 kg

Maximum weight: 1.38 kg

INFORMATION

Finishes: Glass.

Ready to be installed, installation required.

Wall mount screws not included.

Holders available: Brass, Pewter and Copper.

Flex: 1m Black Round Fabric Flex.

Ceiling rose: Pewter.

DIMENSIONS

Shade Diameter: 18 cm / 7"

Shade Height (no holder): 18 cm / 7"

Holder Diameter: 7 cm / 2.7"

Holder Height: 10 cm / 3.9"

Ceiling Rose Diameter: 12 cm / 4.9"

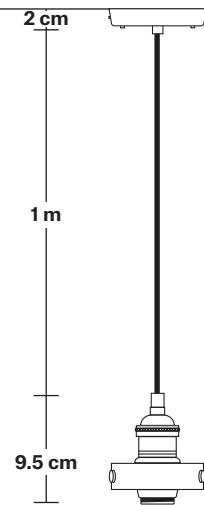
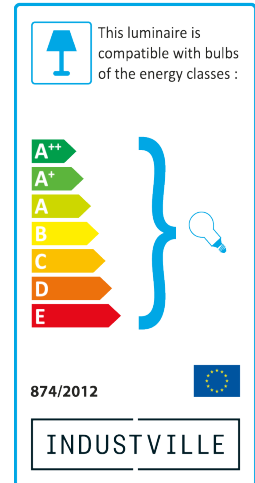
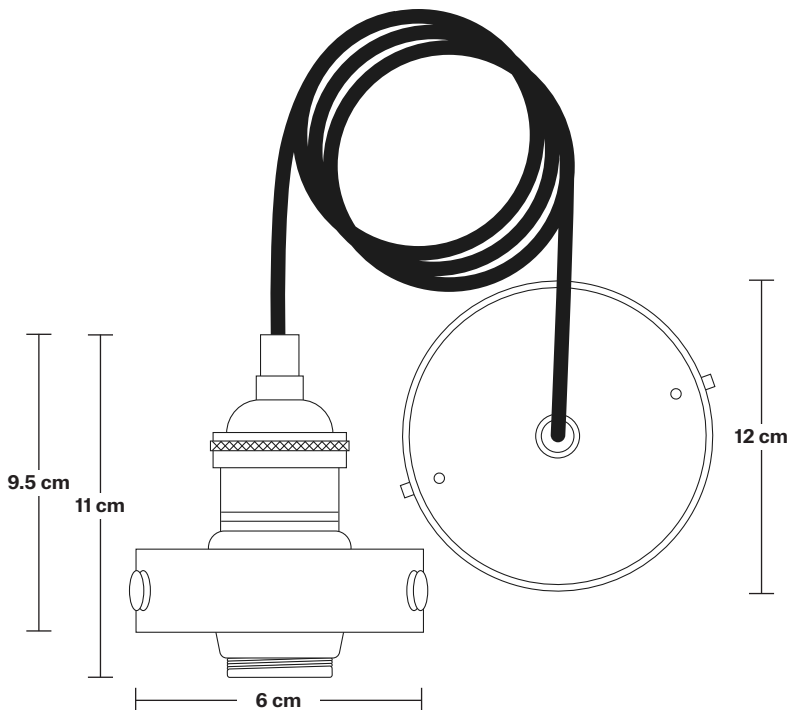
Ceiling Rose Height: 2 cm / 0.8"

INDUSTVILLE

Large Glass Cord Set ES E27 Bulb Holder

Product Code: BR-CS

H: 113 cm x W: 12 cm x D: 12 cm



SPECIFICATIONS

We meet all UK and EU lighting and safety regulations.

Our products are hand finished to ensure an authentic vintage look and therefore they may vary slightly from those shown in the images.

Bulb required: Standard screw (E27) fitting, max 40W.

Weight: 0.5 kg

INFORMATION

Finishes: Pewter.

Ready to be installed, installation required.

Wall mount screws not included.

DIMENSIONS

Bulb Holder Diameter: 6 cm / 2.5"

Bulb Holder Height: 11 cm / 4.3"

Ceiling Rose Diameter: 12 cm / 4.7"

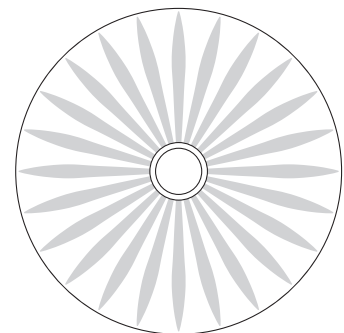
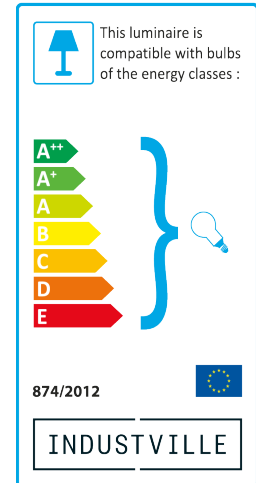
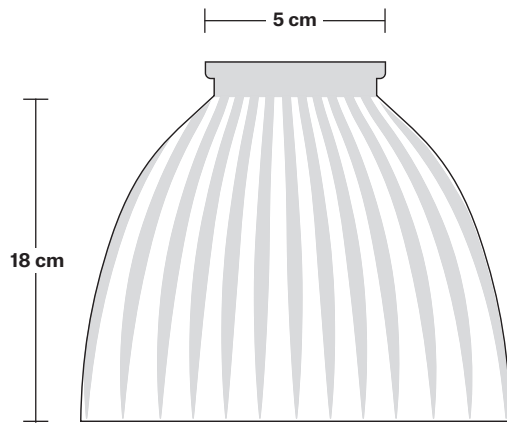
Ceiling Rose Height: 2 cm / 0.8"

Full Drop: 113 cm / 44.5"

Glass Cone - 7 Inch - Shade Only

Product Code: GLC7-SO

H: 18 cm x W: 18 cm x D: 18 cm



18 cm

SPECIFICATIONS

We meet all UK and EU lighting and safety regulations.

Our products are hand finished to ensure an authentic vintage look and therefore they may vary slightly from those shown in the images.

Bulb required: Standard screw (E27) fitting, max 40W.

Shade weight: 0.8 kg

INFORMATION

Finishes: Glass.

Ready to be installed, installation required.

Wall mount screws not included.

DIMENSIONS

Shade Diameter: 18 cm / 7"

Shade Height (no holder): 18 cm / 7"

INDUSTVILLE

Cone - 7 Inch - Glass

Shade Only

Glass Cone Pendant - 7 Inch - Shade Only

GLC7-SO

Brooklyn Glass Cone Pendant - 7 Inch

Brooklyn Glass Cone Pendant - 7 Inch - Brass Holder

BR-GLCP7-BH

Brooklyn Glass Cone Pendant - 7 Inch - Pewter Holder

BR-GLCP7-PH

Brooklyn Glass Cone Pendant - 7 Inch - Copper Holder

BR-GLCP7-CH
