

<b>GRPL01</b>	Cat. #		<b>SELSE<sup>TM</sup></b> LIGHTING PRODUCTS
	Job	Type	
			Approvals



5 Year  
Warranty



**Round Shed Light**

Glow soft light down. Optional for Type II, III, IV (asymmetric) and V (symmetric) distributions.



**Light Pole Connector**

Matching 3 inch diameter round pole. Rugged and durable against vibration.



**Lamp Foot**

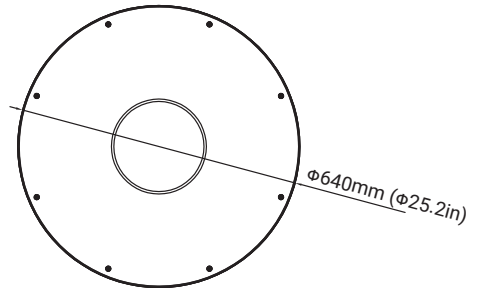
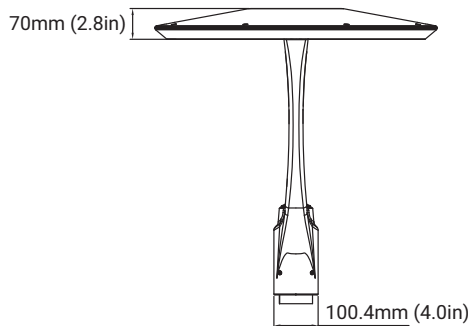
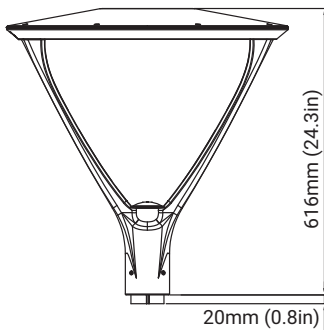
Slim and elegant arc is both beautiful and practical. Both Symmetry and unilateral foot appearance can be choose.



**Light Pole**

Provided by others.

**Mounting Dimensions**



© 2019 Selsler Lighting Products All rights reserved.  
Due to our continued efforts to improve our products, product specifications are subject to change without notice. Selsler Lighting Products reserves the right to make changes in specifications and/or to discontinue any product at any time without notice or obligation and will not be liable for any consequences resulting from the use of this publication.



Selsler Lighting Products  
Po Box 45160  
Baton Rouge, La. 70895  
Phone # (225) 412-0025

PERFORMANCE DATA		4000K (70CRI)		5000K (70CRI)	
SYSTEM WATTS	VOLTAGE	LUMENS	LPW	LUMENS	LPW
45W	120-277VAC/347-480V	5400lm	120 lm/W	5400lm	120 lm/W
70W	120-277VAC/347-480V	8400lm	120 lm/W	8400lm	120 lm/W
100W	120-277VAC/347-480V	12000lm	120 lm/W	12000lm	120 lm/W

#### ELECTRICAL DATA

NUMBER OF DRIVERS	DRIVER CURRENT (mA)	NOMINAL POWER (W)	INPUT VOLTAGE (V)	CURRENT (Amps)
1	1120	45	120	0.38
		45	208	0.22
		45	240	0.19
		45	277	0.16
	1200	45	347	0.13
		45	480	0.09
1	1750	70	120	0.58
		70	208	0.34
		70	240	0.29
		70	277	0.25
	1850	70	347	0.20
		70	480	0.15
1	2600	100	120	0.83
		100	208	0.48
		100	240	0.42
		100	277	0.36
		100	347	0.29
		100	480	0.21

#### ORDER MATRIX



FIXTURE TYPE	POWER CONSUMPTION	VOLTAGE	CCT	FINISH	PHOTOCELL (Option)	SENSOR (Option)	PHOTOMETRY	INTERNAL CODE
GRPL01	45W 45Watts	27V 120-277V	40K 4000K	D Dark Bronze	P0 120-277V Photocell	M With Sensor	T3 TYPE Photometry	Blank Alphanumeric
	70W 70Watts	48V 347-480V	50K 5000K	B Black	Blank Without Photocell	Blank Without Sensor	T4 TYPE Photometry	
	100W 100Watts			W White			T5 TYPE Photometry	

#### FEATURES

- » Efficacy higher than 120lm/W with zero uplight while consumes 45W, 70W, 100W
- » Durable, die-cast aluminum housing with exquisite design
- » Symmetry or unilateral foot appearance for different style choice
- » Available arm mounting applied to wall sconce
- » Type II, III, IV (asymmetric) and V (symmetric) light distributions
- » Suitable for installation heights of 8-20 feet
- » 1-10V dimming and projected over 50,000 hrs life span
- » Operating temperature is -40°C to 45°C (-40°F to 113°F)



© 2019 Selsler Lighting Products All rights reserved.

Due to our continued efforts to improve our products, product specifications are subject to change without notice. Selsler Lighting Products reserves the right to make changes in specifications and/or to discontinue any product at any time without notice or obligation and will not be liable for any consequences resulting from the use of this publication.

**SELSER™**  
LIGHTING PRODUCTS

Selsler Lighting Products  
Po Box 45160  
Baton Rouge, La. 70895  
Phone # (225) 412-0025