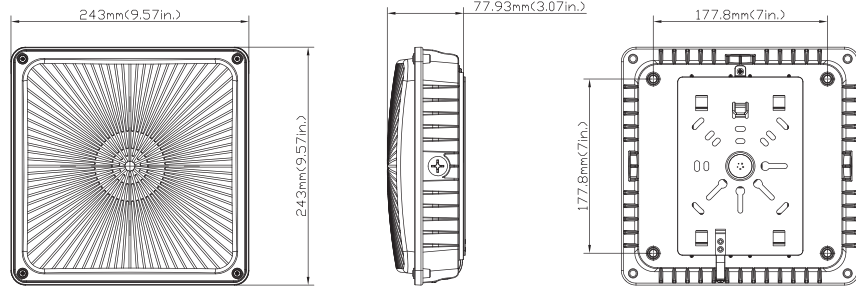


GRCP04	Cat. #		SELSER™ LIGHTING PRODUCTS
	Job	Type	
			Approvals

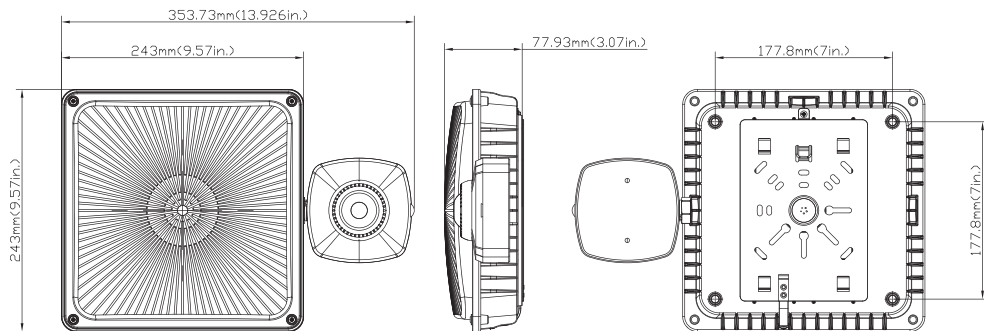


DIMENSIONS
unit: mm/inch

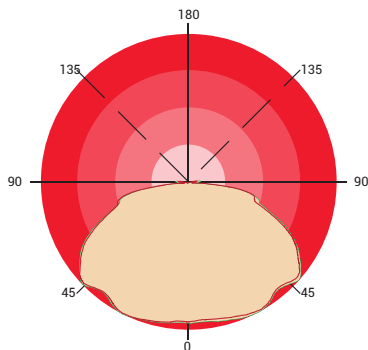
Weight: 4.74lb



Weight: 5.18lb



PHOTOMETRICS



© 2019 Selser Lighting Products All rights reserved.
Due to our continued efforts to improve our products, product specifications are subject to change without notice. Selser Lighting Products reserves the right to make changes in specifications and/or to discontinue any product at any time without notice or obligation and will not be liable for any consequences resulting from the use of this publication.



Selser Lighting Products
Po Box 45160
Baton Rouge, La. 70895
Phone # (225) 412-0025

PERFORMANCE DATA													
LUMINAIRE	ORDERING	RATED	WATTAGE	CCT	LNITIAL	LUMINAIRE	CRI	POWER	0-10V	MOTION	EMERGENCY	Certificate	
TYPE	CODE	VOLTAGE (VAC)	(W)		LUMENS (lm)	EFFICACY (lpw)		FACTOR	DIMMABLE	SENSOR	BATTER		
Canopy	MCP0445W27V40KD*	120-277	45	4000K	5000	111	70	0.9	NO	NO	NO	UL	
Canopy	MCP0445W27V40KDD	120-277	45	4000K	5000	111	70	0.9	YES	NO	NO	UL	
Canopy	MCP0445W27V40KDM	120-277	45	4000K	5000	111	70	0.9	NO	YES	NO	UL	
Canopy	MCP0445W27V40KDB	120-277	45	4000K	5000	111	70	0.9	NO	NO	YES	UL	
Canopy	MCP0445W27V40KDDB	120-277	45	4000K	5000	111	70	0.9	YES	NO	YES	UL	
Canopy	MCP0445W27V40KDMB	120-277	45	4000K	5000	111	70	0.9	NO	YES	YES	UL	
Canopy	MCP0445W27V40KDMD	120-277	45	4000K	5000	111	70	0.9	YES	YES	NO	UL	
Canopy	MCP0445W27V40KDMDB	120-277	45	4000K	5000	111	70	0.9	YES	YES	YES	UL	
Canopy	MCP0445W27V50KD*	120-277	45	5000K	5300	118	70	0.9	NO	NO	NO	UL	
Canopy	MCP0445W27V50KDD	120-277	45	5000K	5300	118	70	0.9	YES	NO	NO	UL	
Canopy	MCP0445W27V50KDM	120-277	45	5000K	5300	118	70	0.9	NO	YES	NO	UL	
Canopy	MCP0445W27V50KDB	120-277	45	5000K	5300	118	70	0.9	NO	NO	YES	UL	
Canopy	MCP0445W27V50KDDB	120-277	45	5000K	5300	118	70	0.9	YES	NO	YES	UL	
Canopy	MCP0445W27V50KDMB	120-277	45	5000K	5300	118	70	0.9	NO	YES	YES	UL	
Canopy	MCP0445W27V50KDMD	120-277	45	5000K	5300	118	70	0.9	YES	YES	NO	UL	
Canopy	MCP0445W27V50KDMDB	120-277	45	5000K	5300	118	70	0.9	YES	YES	YES	UL	

Note: D* Dark Bronze finish color is inventory color, please consult factory for lead time if other color is needed.

ELECTRICAL DATA

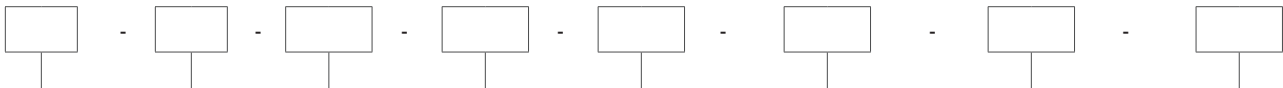
NUMBER OF DRIVERS	DRIVER CURRENT (mA)	NOMINAL POWER (W)	INPUT VOLTAGE (V)	CURRENT (Amps)
1	1.12	45	120	0.38
		45	208	0.22
		45	240	0.19
		45	277	0.16

Applications: Parking structures, storage areas, shopping area walkways, entryway, and low level security.

FEATURES

- » Sealed die-casting profile for indoor and outdoor applications
- » Voltage is 120-277V
- » Lumen output from 5300lm with efficacy to 118lm/W
- » Increase energy savings with bi-level PIR sensor
- » Replacing 100W MH
- » Operating temperature is -40°C to 40°C (-40°F to 104°F)
- » UL/cUL wet location listed and DLC qualified

ORDER MATRIX



FIXTURE TYPE	WATTAGE	VOLTAGE	CCT	FINISH	SENSOR (Option)	DIMMABLE	EMERGENCY BATTERY (ONLY FOR 45W)
GRCP04	45 45W	27V 120-277V	40K 4000K 50K 5000K	D Dark Bronze B Black W White SG Silver Gray	Blank Without Sensor M With Sensor	D 1-10V Dimmable Blank NON Dimmable	B Emergency Battery Blank Without Emergency Battery



© 2019 Selser Lighting Products All rights reserved.

Due to our continued efforts to improve our products, product specifications are subject to change without notice. Selser Lighting Products reserves the right to make changes in specifications and/or to discontinue any product at any time without notice or obligation and will not be liable for any consequences resulting from the use of this publication.

Selser Lighting Products
Po Box 45160
Baton Rouge, La. 70895
Phone # (225) 412-0025