

GRHB03	Cat. #		SELSER™ LIGHTING PRODUCTS
	Job	Type	
			Approvals



MOUNTING OPTIONS



Mounting Bracket

Suitable for hook mount. And the installation steps are simple and safe.



1/2 inch threaded hole

Support wires coming out from the hole for easier wire connections. Optional PIR sensor allows for security and energy saving.



Lens

Polycarbonate optical lens with heat resisting.

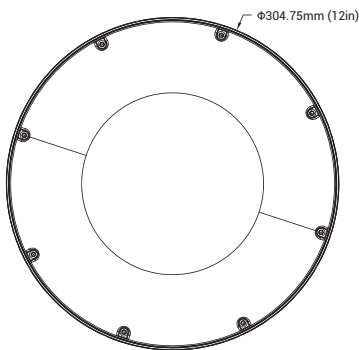


Housing

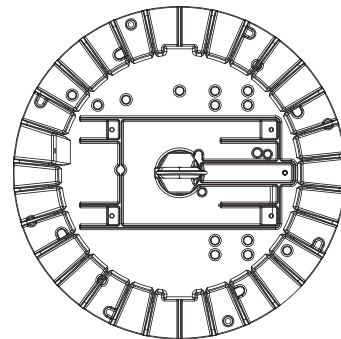
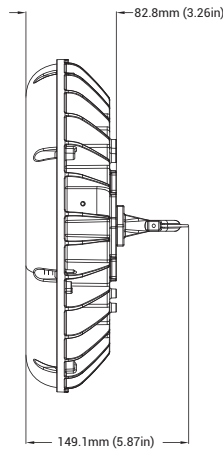
One piece die cast housing better waterproofing, suitable for both indoor and outdoor application.

DIMENSIONS

unit: mm/inch



Weight:
80W: 6.0lb



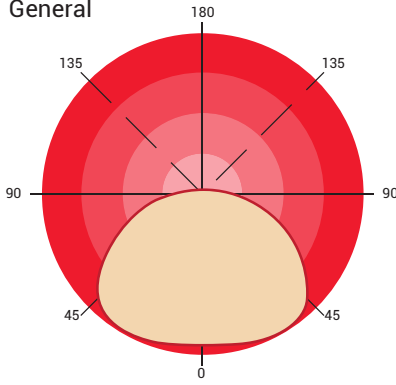
© 2019 Selser Lighting Products All rights reserved.
Due to our continued efforts to improve our products, product specifications are subject to change without notice. Selser Lighting Products reserves the right to make changes in specifications and/or to discontinue any product at any time without notice or obligation and will not be liable for any consequences resulting from the use of this publication.



Selser Lighting Products
Po Box 45160
Baton Rouge, La. 70895
Phone # (225) 412-0025

PHOTOMETRICS

General



PERFORMANCE DATA

PERFORMANCE DATA			4000K (80CRI)		5000K (80CRI)	
SYSTEM WATTS	PHOTOMETRY	VOLTAGE	LUMENS	LPW	LUMENS	LPW
80W	High Bay	120-277VAC	9900lm	110 lm/W	9900lm	110 lm/W

ELECTRICAL DATA

NUMBER OF DRIVERS	DRIVER CURRENT (mA)	NOMINAL POWER (W)	INPUT VOLTAGE (V)	CURRENT (Amps)
1	1	80	120	0.67
		80	208	0.38
		80	240	0.33
		80	277	0.29

Applications: Suitable for commercial, retail and institutional applications including gymnasiums, factories and warehouses.

FEATURES

- » Sealed die-casting pro le for indoor and outdoor applications
- » Voltage is 120-277V
- » Lumen output is 10000lm
- » Superior colour rendition index compared to HPS
- » Increase energy savings with bi-level Motion sensor
- » Replacing 250W MH
- » Operating temperature is -40°C to 50°C (-40°F to 122°F)
- » UL/Cul wet location listed

ORDER MATRIX

FIXTURE TYPE	WATTAGE	VOLTAGE	CCT	FINISH	SENSOR (Option)
GRHB03	80 80W	27V 120-277V	40K 4000K 50K 5000K	DB Dark Bronze B Black W White	M With Sensor Blank Without Sensor



© 2019 Selsler Lighting Products All rights reserved.

Due to our continued efforts to improve our products, product specifications are subject to change without notice. Selsler Lighting Products reserves the right to make changes in specifications and/or to discontinue any product at any time without notice or obligation and will not be liable for any consequences resulting from the use of this publication.

SELSELER
LIGHTING PRODUCTS

Selsler Lighting Products
Po Box 45160
Baton Rouge, La. 70895
Phone # (225) 412-0025