

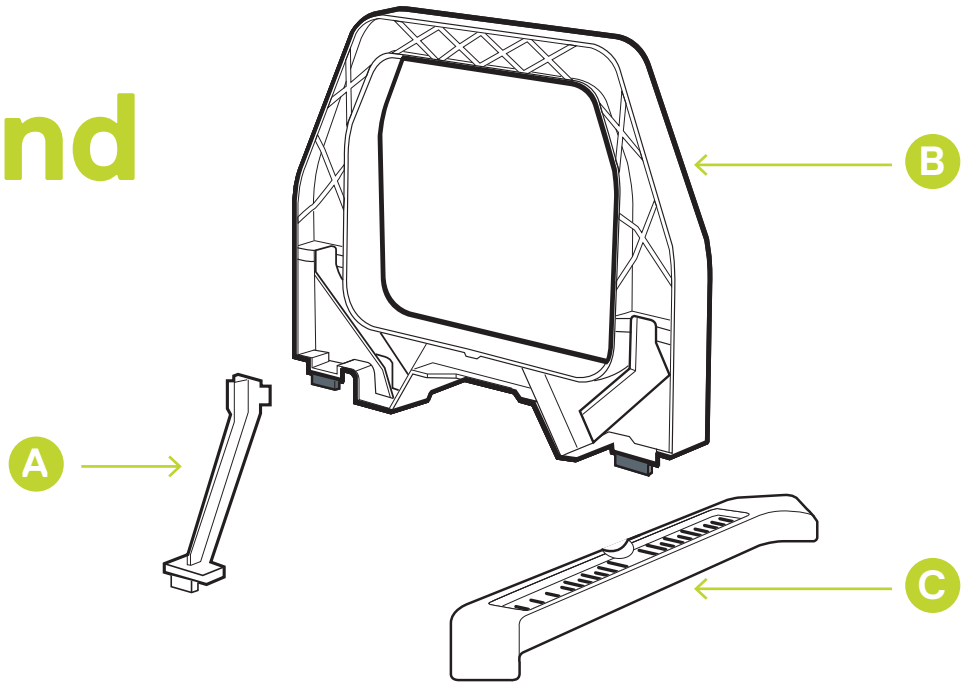
quickstand

Assembly instructions RS8400

Parts

- A** x4 — Support Arms
- B** x2 — Uprights
- C** x2 — Base

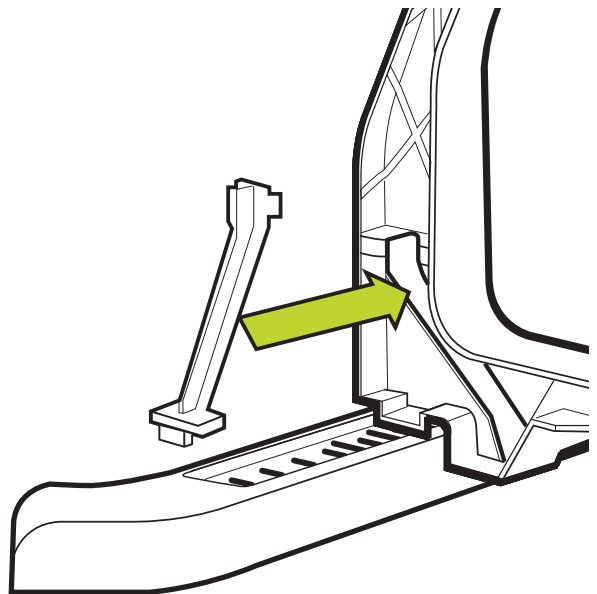
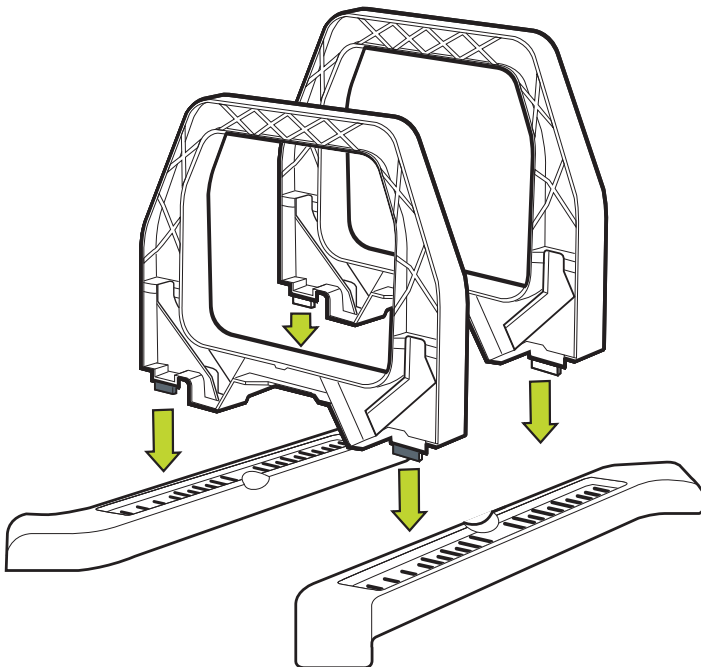
No Tools Required



1 Pop Part A (support arms) out of upright support.

2 Determine tire width required and connect uprights to base.

3 Snap in support arms (Part A) to securely connect base to upright. Ensure uprights are perpendicular to base.



Service: Please do not return to store; for immediate response email service@designbydelta.com

