



Private Residence Brise Soleil, Valencia [Spain] | Design: Rubén Muedra Estudio de Arquitectura | Photography: Adrián Mora Maroto



# SPIN 48V



						P	CCT	Beam	I	Flux	LOR	
SPIN 48V	A350-	⊙ -1-01-	WT	NT		6,5W	3000K	24°	700mA	630Lm	86%	
	A350-	⊙ -1-11-	WT	NT		6,5W	3000K	40°	700mA	630Lm	84%	
	DALI	A350-	⊙ -2-01-	WT	NT		6,5W	3000K	24°	700mA	630Lm	86%
		A350-	⊙ -2-11-	WT	NT		6,5W	3000K	40°	700mA	630Lm	84%

LED | 48 V | CE | III | IP20 | CRI>90 | L80B10 >60.000h

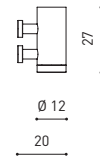


⊙ CORD LENGTH - L

0	2 m
1	3 m
2	5 m

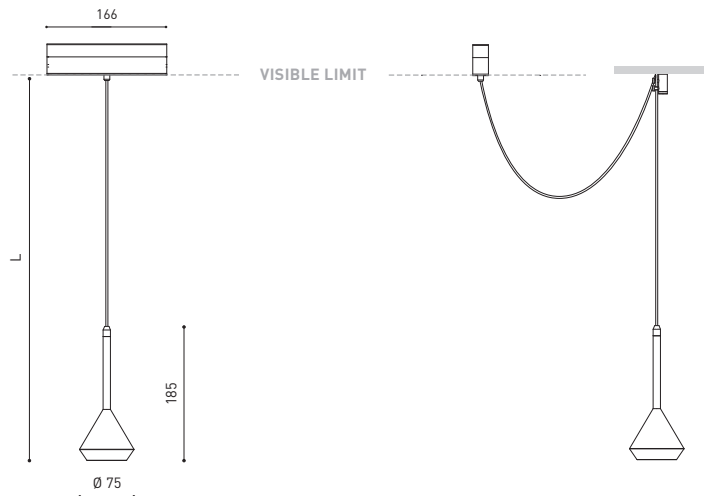
SPIN Cord Accessory

0223-00-00- | WT | NT |



SPIN 48V

SPIN 48V + CORD ACCESSORY



COLOUR | WT □ RAL 9016 | NT ■ RAL 9005 |

MATERIAL | AL | PMMA |

TRACK 48V ⓘ » 198

ⓘ » PLEASE CONSULT