



CAUTION:

1. Before starting installation of this fixture or removal of a previous fixture, disconnect the power by turning off the circuit breaker or by removing the fuse at the fuse box.
2. CONSULT A QUALIFIED ELECTRICIAN IF YOU HAVE ANY ELECTRICAL QUESTIONS.

TOOLS REQUIRED FOR INSTALLATION AND ASSEMBLY (not included):



Phillips screwdriver



Flathead screwdriver



Wire cutters



Wire strippers



4 ea T8 Orilis LED Tubes (#2)



Safety goggles



Electrical tape

PARTS INCLUDED FOR ASSEMBLY (parts are not to scale):



1 ea Acrylic Lens (#4)



1 ea Fixture Pan (#1)

ASSEMBLY INSTRUCTIONS:

(NOTE: This fixture comes with two end caps, one that is fixed and one that is moveable. Before beginning, identify the Moveable End Cap (#5) and the Fixed End Cap (#19) by pulling on them to see if they move. The Moveable End Cap (#5) is spring-loaded and will return to its original position after it is moved.)

1. Carefully unpack the fixture. Lay out all parts on a clean surface.
2. Detach the Acrylic Lens (#4) from the Fixture Pan (#1).

STEP A - Place the fully assembled fixture onto a rug surface or any surface that will provide adequate friction.

STEP B - Using both hands, grasp the sides of the Acrylic Lens (#4) at the center and push it into the Moveable End Cap (#5) to move it about 1/2".

STEP C - When the Acrylic Lens (#4) clears the Fixed End Cap (#19), lift the Acrylic Lens (#4) up and away from the Fixture Pan (#1).

ASSEMBLY INSTRUCTIONS (CONT.):

- Before continuing Assembly, please proceed to the Installation Instructions.
- Insert **LED Double Ended** Light Bulbs (#2) (included) into the provided Lamp Sockets (#3). Turn each Light Bulbs (#2) $\frac{1}{4}$ turn, until there is a click. **(Fig. 1)**
- Re-attach the Acrylic Lens (#4) to the Fixture Pan (#1).

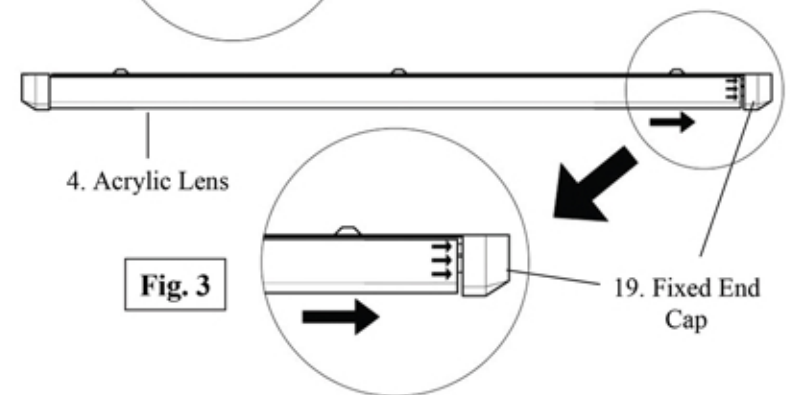
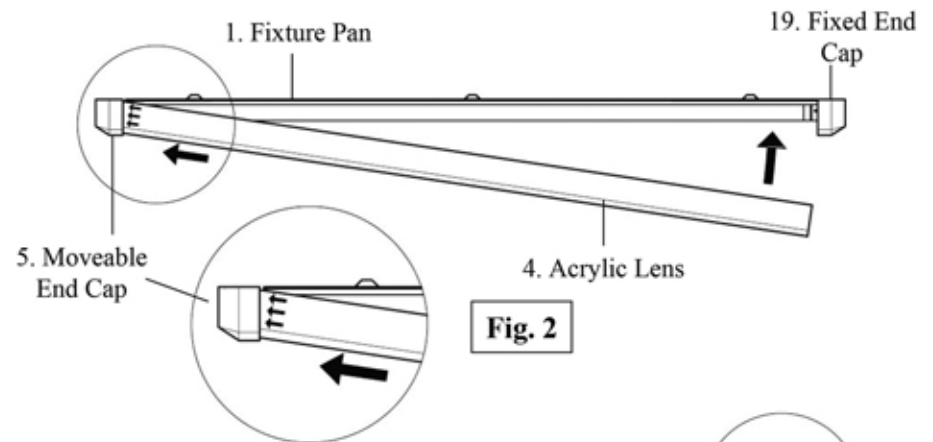
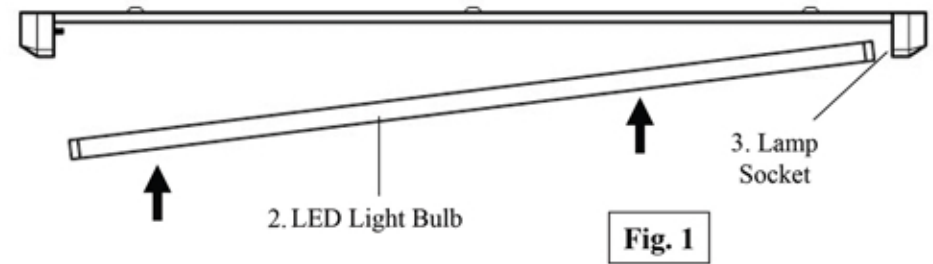
STEP A - Using both hands, grasp the sides of the Acrylic Lens (#4) at the center and hold it over your head. Angle the Acrylic Lens (#4) into the Moveable End Cap (#5). **(Fig. 2)**

STEP B - Push the Acrylic Lens (#4) into the Moveable End Cap (#5) to move it about $\frac{1}{2}$ ". **(Fig. 2)**

STEP C - While applying pressure to the Moveable End Cap (#5), tilt the other end of the Acrylic Lens (#4) toward the Fixture Pan (#1) until it aligns with the Fixed End Cap (#19). If necessary, push the Acrylic Lens (#4) harder into the Moveable End Cap (#5) to allow the Acrylic Lens (#4) to clear the Fixed End Cap (#19). **(Fig. 2)**

STEP D - Release the pressure on the Moveable End Cap (#5) and allow the Acrylic Lens (#4) to slide into the Fixed End Cap (#19). **(Fig. 3)**

ASSEMBLY:



PARTS INCLUDED FOR INSTALLATION (parts are not to scale):



INSTALLATION INSTRUCTIONS:

1. Place the Fixture Pan (#1) onto the desired location, centering it over the Outlet Box (#6). Mark the location of all the Keyhole Slots (#16).
2. Remove the Fixture Pan (#1) from the Ceiling (#7). Drill appropriately sized Holes (#17) at the marked keyhole locations. Insert the Ceiling Anchors (#18) into the Holes (#17). **(Fig. 4)**
3. Thread the Mounting Screws (#8) halfway into the Ceiling Anchors (#18). **(Fig. 4)**
4. Pull the power supply wires out from the Outlet Box (#6). Attach the Black Supply Wire (#14) to the Black Fixture Wire (#15) and the White Supply Wire (#9) to the White Fixture Wire (#11) using Wire Nuts (#10). Connect the Fixture Ground Wire (#12) and the Supply Ground Wire (#13) together using a Wire Nut (#10). **(Fig. 5)** Wrap all wire connections with electrical tape for a more secure connection. *Note: If you have electrical questions, consult your local electrical code for approved grounding methods.*

INSTALLATION INSTRUCTIONS (CONT.):

5. Carefully tuck all wire connections into the Outlet Box (#6). Place the Fixture Pan (#1) onto the desired location, making sure that the halfway threaded Mounting Screws (#8) feed through the large openings of the Keyhole Slots (#16). Slide the Fixture Pan (#1) so that the Mounting Screws (#8) slide into the narrow slots of the Keyhole Slots (#16). Tighten the Mounting Screws (#8) down to secure the Fixture Pan (#1) in place. **(Fig. 6 & 6-1)**
6. Proceed to Step 3 of the Assembly Instructions.
7. Installation is complete. Turn on power at the circuit breaker or fuse box. Turn the light switch on to activate the fixture.

INSTALLATION:

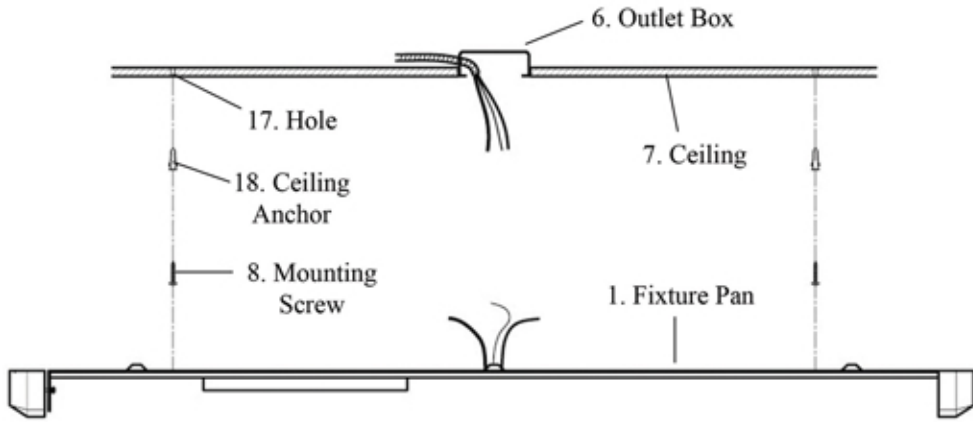


Fig. 4

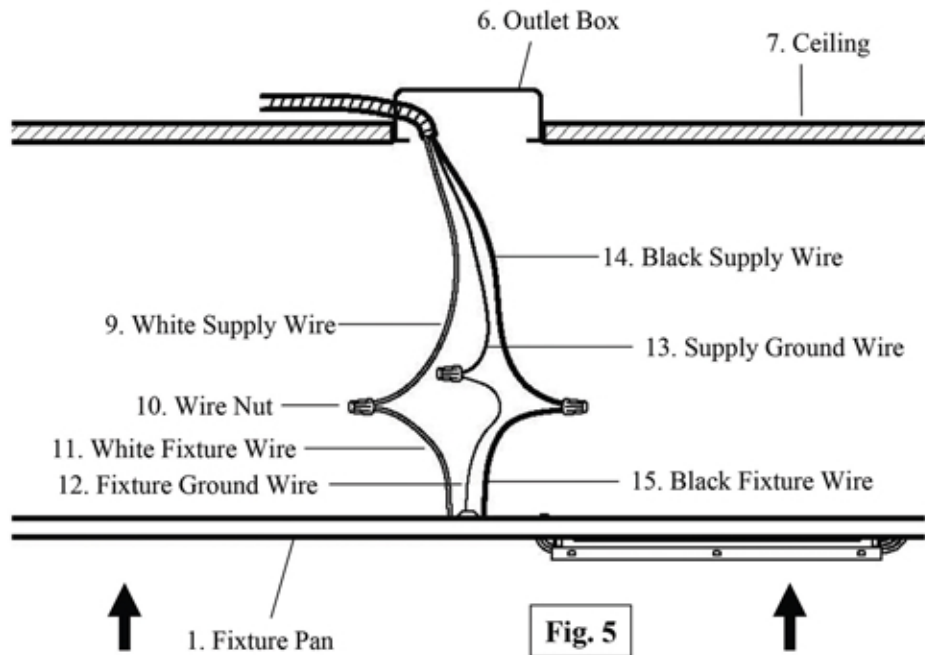


Fig. 5

INSTALLATION (CONT.):

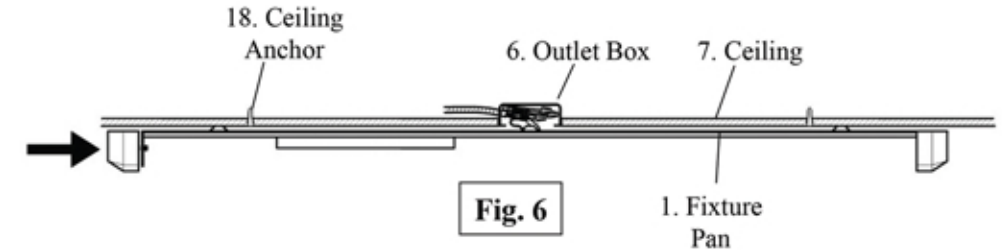


Fig. 6

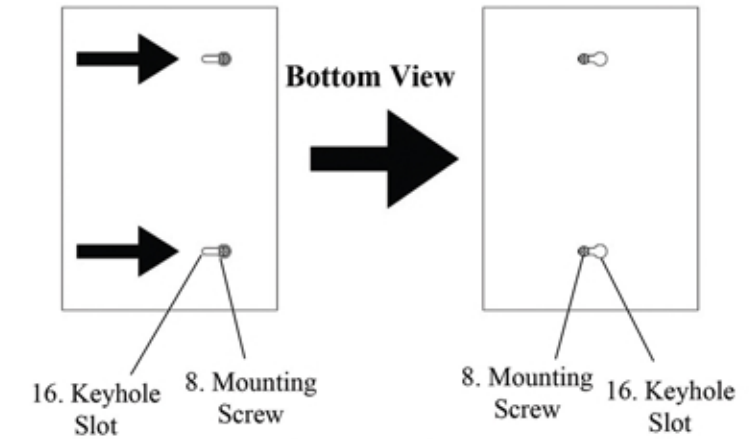


Fig. 6-1

*FOR REPLACEMENT LED TUBES: WWW.ORILIS.COM