

## Product Information

mawa®

LED

### wittenberg 4.0 RECESSED SPOTLIGHT **wi4-eb-1r**






The new generation of our longtime and most successful luminaire range is launched.

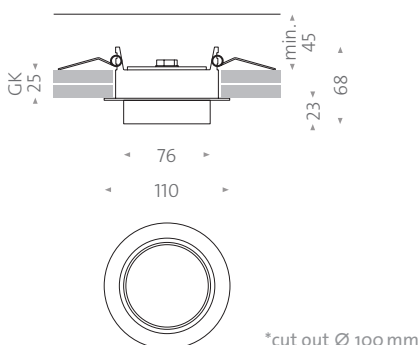
Its predecessor already allowed multiple fields of application due to small mounting depth and a wide variety of surfaces and accessories.

Wittenberg 4.0 follows that tradition and fills the huge footsteps confidently with an even more compact structure, whose filigree housing is reduced to the technically feasible - of course without visible screws and cable.

With an approximately doubled light output and improved color rendition, the spotlight convinces by its large light emission surface with excellent glare control.

The special optics with three different light distribution characteristics can be replaced easily using a vacuum cup or a silicone pad. If required a honeycomb grid could be used for additional glare reduction.

-  powder-coated white matt (RAL9016)
-  polished chrome (c)
-  powder-coated matt black (mawa 9005)
-  copper (cu)
-  brass (me)



#### wi4-eb-1r

design: Jan Dinnebier, mawa engineering

spotlight 365° rotatable and 90° tiltable,

LED, 12,7 W, 700 mA, CRI typ. 92,

light color/luminous flux: 2700 K / 1100 lm,

3000 K / 1200 lm, 4000 K / 1350 lm,

exchangeable lenses with beam angle

12°, 24°, 38° exchangeable by means

of vacuum cup or a silicone pad,

LED life time > 50 000 Std., EEL = A<sup>++</sup>-A,

Retail Lighting and high CRI 98 on request,

converter not included, weight: 500 g

Series examined by  DEKRA

LDC on [www.mawa-design.de](http://www.mawa-design.de) under Products



# wittenberg 4.0

KOMPONENTEN / ZUBEHÖR COMPONENTS / ACCESSORIES

mawa®

Strahlerkopf mit LED-Einheit  
Lichtfarben / Lichtstrom / CRI  
spotlight with LED-unit  
light colors / luminous flux / CRI

2700 K / 1100lm / CRI typ. 92  
3000 K / 1200lm / CRI typ. 92  
4000 K / 1350lm / CRI typ. 92

Sonderlichtfarben  
special light colors  
High CRI typ. 98  
warmdimm (in Vorbereitung)  
warmdim (in process)

Linseneinheit  
lens unit

spot 12°  
wi4-li-12°

medium 24°  
wi4-li-24°

flood 38°  
wi4-li-38°

Wabenraster schwarz  
honeycomb black  
wi4-wa-s

Abblendring  
shutter

19 mm wi4-sh-s

38 mm wi4-sh-m

76 mm wi4-sh-l

76 mm asymmetrisch wi4-sh-las



Dimmoptionen  
dimming options

dimmbar 1–10V -3

dimmmable 1–10V

dimmbar DALI -4

DALI dimmable

dimmbar Phasenabschnitt -5

trailing edge dimmable

dimmbar Phasenan- und -abschnitt -7

trailing and leading edge dimmable

Silikonpad  
silicone pad  
wi4-sp

Skulpturenlinse  
zur elliptischen  
Lichtverteilung  
sculpture lens  
for elliptical  
light distribution  
wi4-vl-sk

LSD Aufweitungsvorsatz  
LSD lighting shape diffusor  
30° wi4-vl-30°  
60° wi4-vl-60°



reddot design award  
winner 2018



GERMAN  
DESIGN  
AWARD  
WINNER  
2018

DESIGN PLUS  
powered by: light+building



Los Angeles

LIGHTING  
DESIGN  
AWARDS



Award 2017  
The Chicago Athenaeum



Green Award 2016  
The Chicago Athenaeum