

Specifications

LED Module: Tridonic | Osram | Vossloh Schwabe | Samsung
Lumen Maintenance & Life Expectancy: L80 B10 >50,000h
Lumen Output Range: 1100 - 3700lm/m
Profile Dimensions: W94mm x H105mm | **Length:** Min 310mm Max unlimited multiples of 140mm, 280mm and 560mm
Protection Rate: IP20 | IP54 on request
CRI: Ra80 | Ra90 on request
Colour Temperature: 3000K | 4000K | 27-57K Tunable White
Colour Stability: 3 Step MacAdam
Distribution: Direct | Direct/Indirect
Diffuser: Ice
Dimming: Non-dim | DALI | 0-10V | Switch-dim
Warranty: 5 Years | Extended on request

Features: Mitered Corners | No visible fixings | Removable gear plates | Socket End Caps to prevent light leakage | Independent test reports

How to Specify

Follow the steps below to specify your requirements:

1 Select Profile & Colour	2 Select length	3 Select distribution	4 Select Kelvin & CRI	5 Select control	6 Select installation	7 Select extras
100SQD—## (Colour Suffix)	Specify in mm	Direct (DIR)	3000K 80Ra (3K)	Non Dim (ND)	Ceiling Surface (CS)	Emergency (EM)
100SQD—CC (Custom Colour)		Direct/Indirect (DIR/IND)	4000K 80Ra (4K)	DALI (DALI)	Wall Surface (WS)	DALI Sensor (DS)
				1-10V (10V)	Rod Suspension (RSP)	LED Downlights (DL)
				Switch (SW)	Wire Suspension (WSP)	LED Spotlights (SL)

Specification Examples:

100SQD-WT-1100-DIR[2]-3K-DALI-CS

100SQD-MB-2000-DIR[3]/IND[1]-4K-ND-WSP-EM

Lumen Maintenance & Life Expectancy

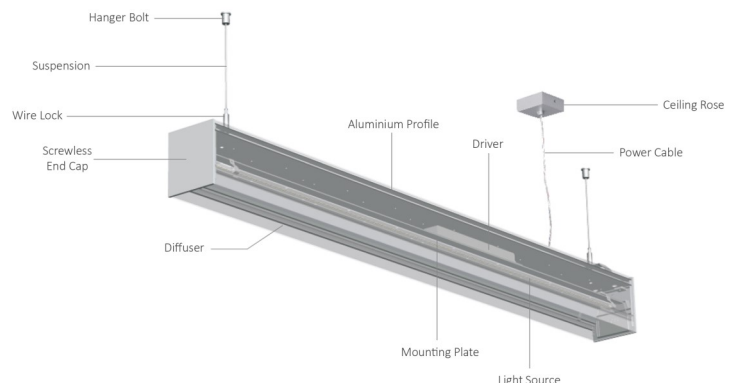
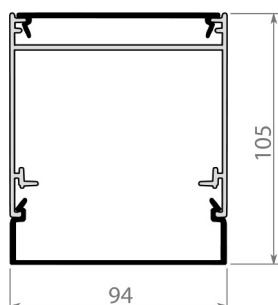
- All LED modules are selected from within 3 MacAdams.
- Independent LM79, LM80 and TM21 test reports are available on request.
- Independent photometric files are available on request.
- L80 B10 >50,000h

Colour Options



Custom colours and anodized finishes on request

Dimensions & Construction



Lumen Output Suffix

Suffix	Lm/m	L80 B10
1	1100	50,000h
2	1600	50,000h
3	2000	50,000h
4	2500	50,000h
5	3000	50,000h
6	3700	50,000h

More outputs available on request

Mounting Options

