

The Orbit is a suspended LED fitting, available with direct only or direct/indirect light output.

This versatile luminaire is an ideal solution to suit any space with its wide range of sizes, ranging from Ø450mm through to Ø1200mm and even our custom range which can go up to Ø3000mm. The Orbit can be custom coloured and is available in a number of dimming and colour temperature options.



Specifications

Lumen Maintenance & Life Expectancy: L80 B10>50,000h

Lumen Output Range: 4763 - 27,994Lm

Beam Angle: 120°

Height Dimensions: 100mm

CRI: Ra90

Colour Temperature: 3000K | 4000K

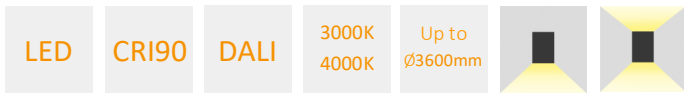
Distribution: Direct | Direct/Indirect

Distribution: Varying outputs to achieve the desired % of uplight | Uplight can be run separate to downlight

Diffuser Options: Opal PMMA | Micro Prismatic

Material: Cast Aluminium

Dimming: Non-dim | DALI | 0-10V | Mains Dimmable



How to Specify

Follow the steps below to specify your requirements:

1 Select Size & Colour	2 Select Distribution	3 Select Kelvin	4 Select Control
Orbit600-## (Colour Suffix)	Direct (DIR)	3000K (3K)	Non Dim (ND)
	Direct/Indirect (DIR/IND)	4000K (4K)	DALI (DALI)
		6000K (6K)	1-10V (10V)
			MAINS (MD)

Specification Examples:

Orbit600-DIR-4K-MD-BT

Orbit1200-DIR/IND-3K-ND-WT

Colour Options

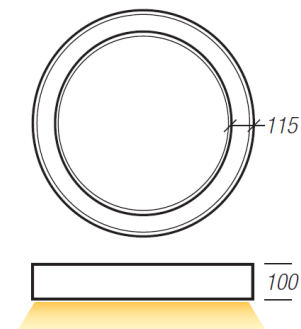


Custom colours on request

Diffuser Options



Dimensions



Size and Output

Size	Wattage	Lumen Output
450mm	30W	± 2720Lm
600mm	40W	± 3620Lm
900mm	72W	± 6340Lm
1200mm	92W	± 8100Lm

Custom sizes up to Ø3m