



Arkostight Headquarters, Valencia (Spain) | Design: Francesc Rifé Studio | Architect: Víctor García Martínez Arquitecto | Photography: David Zarzoso · Fotografía de arquitectura



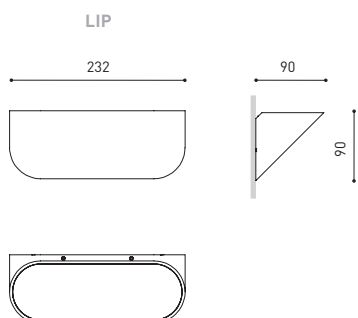
		P	CCT	I	Flux	LOR
LIP	A288-00-00- WT NT	24W	2700K	700mA	2970Lm	86%
	A288-00-01- WT NT	24W	3000K	700mA	3210Lm	86%
	A288-00-02- WT NT	24W	4000K	700mA	3270Lm	86%

LED | 220/240 V~ | CE | IP20 | CRI>90 | L80B10 >60.000h



		P	CCT	I	Flux	LOR
LIP DIM	A288-00-10- WT NT	24W	2700K	700mA	2970Lm	86%
	A288-00-11- WT NT	24W	3000K	700mA	3210Lm	86%
	A288-00-12- WT NT	24W	4000K	700mA	3270Lm	86%

LED | 220/240 V~ | CE | IP20 | CRI>90 | L80B10 >60.000h



COLOUR | WT □ RAL 9016 | NT ■ RAL 9005 | MATERIAL | AL | PMMA

» 368

» PLEASE CONSULT