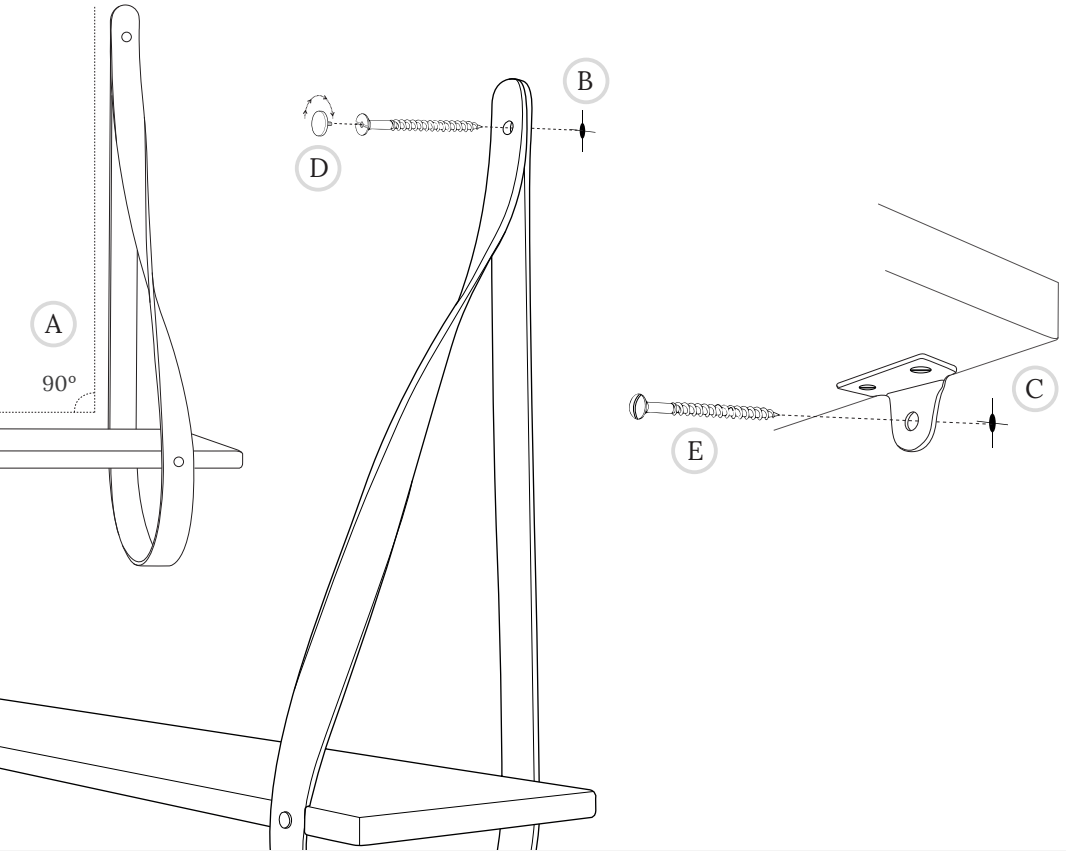


Lundy Shelf Installation Instructions



*** The Lundy Shelf can carry a maximum of 10kg of evenly distributed weight when properly mounted on the wall. ***

1. Identify if there are any hidden pipes or electrical cables in the wall to avoid causing damage or risk of electrical shock during installation. Hold the Lundy Shelf up to the chosen wall making sure the shelf is completely level and the twisted wooden straps are perpendicular to the shelf (A). Make a pencil mark through the fixing holes at the top of both twisted straps (B) and through the under shelf brass brackets (C). **The wall must be capable of supporting the weight of the Lundy Shelf when fully loaded (12kg).** Determine the fixing method appropriate to the wall structure (e.g. plaster board plugs for a 4mm screw). If attaching to a wooden surface, no additional fixings are required. We would always recommend finding joists if possible.
2. Using a flat/slotted head screwdriver, screw the twisted wooden straps to the wall with the cap head screws provided. Screw the brushed brass caps onto the cap head screws (D). Fix the brass under shelf brackets to the wall with the large slot head screws provided (E).

*** The Lundy Shelf is intended for indoor use only.***