

物料名称: DUSK TO DAWN LED安装说明书 (常规)  
 物料编码: G-UM-000000002  
 规格尺寸: 210X297mm  
 材料工艺: 80G书纸

CHK (审核)	ISSUE (版本)	DATE (日期)	APPRO (批准)	DATE (日期)

## DUSK TO DAWN LED Installation Guide

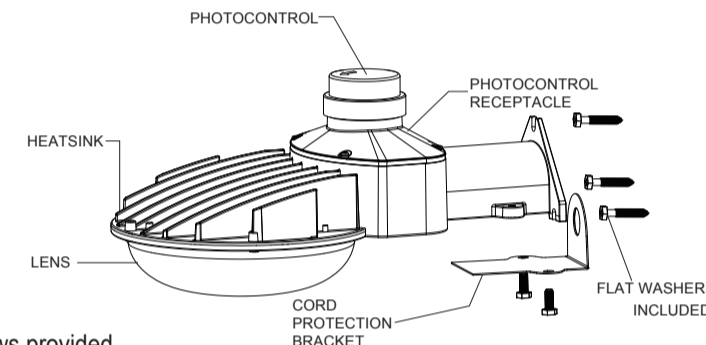


**WARNING**

1. Turn power off before inspection, installation or removal.
2. The installation should be performed by qualified electricians or lighting technicians.
3. Before conducting any installation, maintenance, or removal, disable all power to the luminaires and wait until the fixture cool down.
4. Do not touch the fixture while it is in service.
5. If there is any problem with the fixture, DO turn off power and DO NOT attempt repair unless you are a qualified technician or the customer service member.

### Wall Mounting

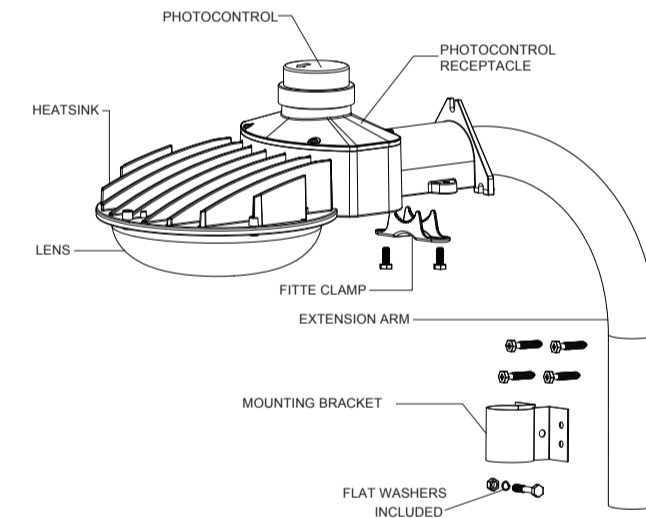
1. Place mounting section of fixture onto desired mounting surface, mark and drill holes for mounting.
2. Mount the fixture with bolts provided. Install the two bottom screws first. Place the fixture on the two bottom screws and install the top screw. Tighten the top screw first and then tighten the remaining screws.
3. Make wiring connections in the fixture. (White to Neutral lead, Black to Line lead, Yellow Green to Ground lead)
4. Put the cord protection bracket back on the fixture and fix it with screws provided.
5. Plug the twisted photocontrol or shorting cap into photocontrol receptacle.
6. Installation is completed



297mm

### Arm Mounting

1. Install wall mounting bracket onto the wall with screws provided.
2. Insert arm into mounting bracket and secure it with carriage screws.
3. Feed supply wires through arm and make wiring connections in the fixture. (White to Neutral lead, Black to Line lead, Yellow Green to Ground lead)
4. Secure the fixture on the arm with fitter clamp and screws provided.
5. Plug the twisted photocontrol or shorting cap into photocontrol receptacle.
6. Installation is completed



### ACCESSORY LIST

Mounting Type	Accessory	Specifications	Quantity
Wall Mount	Cord protection board	L Shape Cord protection board	1
	Bolt	HM6*25-SS, Stainless Steel Hexagon flat head bolt	2
	Bolt	M6*60, Stainless Steel Expansion Screw	4
	Cord protection board	L Shape Cord protection board	1
Arm Mount	Bracket	Ω Shape bracket	1
	Fitter clamp	slipfitter	1
	Bolt	CM6*16-SS, Stainless Steel Inner Hexagon head bolt	2
	Bolt	M6*60, Stainless Steel Expansion Screw	4
	Bolt	CM6*40-SS, Stainless Steel Inner Hexagon head bolt	1
	Arm	1-5/8 Diameter	1
Others	Twist-lock photocell	120-277V 3-Pin	1

设计: 卢昭燕

审核:

质量:

标准化:

批准:

<b>深圳美斯特光电技术有限公司</b> <b>MESTER LED LIMITED CO.,LTD</b>		(料号): G-UM-000000002	
单位: MM	SCALE (比例):	MATERIAL 材料:	(品名):
THIRD ANGLE PROJECTION 第三角投影		FINISHING 表面效果	(图号): GUM000000002-4001DS
LINEAR - .X ±0.10 .XX ±0.05 ANGULAR - ±1/2°		DRAW (繪圖):	DATE(日期): 2018/01/15
		(图档路径):	共 1 页 版本:A2 第 1 页 图纸:A4