

GRCP03	Cat. #		SELSETM LIGHTING PRODUCTS
	Job	Type	
			Approvals



MOUNTING OPTIONS



Emergency Battery
900lm, 90min

1/2inch Threaded Hole
Support wires coming from the hole for easier wire connections.

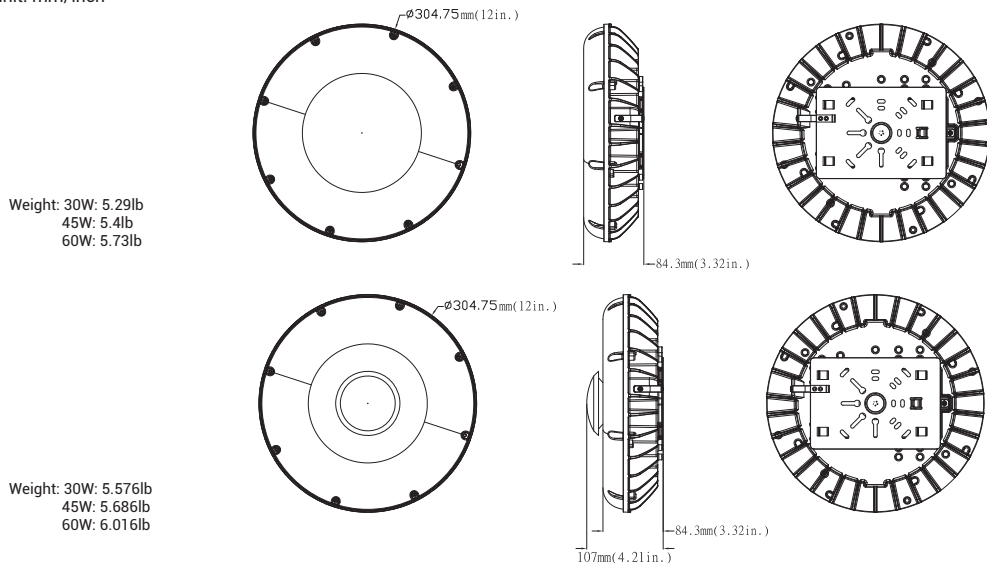
Photometry
Optional Parking Garage Photometry or Low Bay Photometry as per applications.

PIR Sensor
Optional PIR sensor allows for security and energy saving.

Housing
One piece die cast housing better waterproofing ,suitable for both indoor and outdoor application.

Mounting Bracket
Suitable for J-BOX mounting, and easy for installation, also support pendant mounting,wires coming out from the back for easier wire connections.

DIMENSIONS
unit: mm/inch



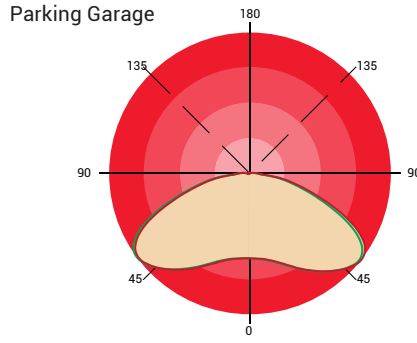
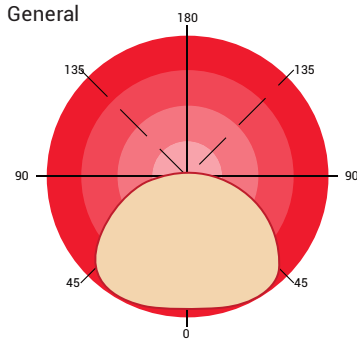
© 2019 Selser Lighting Products All rights reserved.
Due to our continued efforts to improve our products, product specifications are subject to change without notice. Selser Lighting Products reserves the right to make changes in specifications and/or to discontinue any product at any time without notice or obligation and will not be liable for any consequences resulting from the use of this publication.



Selser Lighting Products
Po Box 45160
Baton Rouge, La. 70895
Phone # (225) 412-0025

PHOTOMETRICS

Each optic is designed for a specific purpose. The general distribution allows a wash of light in any application. In addition, we design an optics specially for parking garage.



PERFORMANCE DATA

PERFORMANCE DATA			4000K (70CRI)		5000K (70CRI)	
SYSTEM WATTS	PHOTOMETRY	VOLTAGE	LUMENS	LPW	LUMENS	LPW
30W	Parking Garage	120-277VAC	3500lm	117 lm/W	3600lm	120 lm/W
	Low Bay	120-277VAC	3800lm	127 lm/W	3800lm	127 lm/W
45W	Parking Garage	120-277VAC	4900lm	109 lm/W	5000lm	111 lm/W
	Low Bay	120-277VAC	5500lm	122 lm/W	5500lm	122 lm/W
50W	Parking Garage	347VAC	4900lm	98 lm/W	5000lm	100 lm/W
	Low Bay	347VAC	5500lm	110 lm/W	5500lm	110 lm/W
60W	Parking Garage	120-277VAC	7000lm	117 lm/W	7100lm	118 lm/W
	Low Bay	120-277VAC	7600lm	127 lm/W	7600lm	127 lm/W
65W	Parking Garage	347VAC	7000lm	108 lm/W	7100lm	109 lm/W
	Low Bay	347VAC	7600lm	117 lm/W	7600lm	117 lm/W

ELECTRICAL DATA

NUMBER OF DRIVERS	DRIVER CURRENT (mA)	NOMINAL POWER (W)	INPUT VOLTAGE (V)	CURRENT (Amps)
1	760	30	120	0.25
		30	208	0.14
		30	240	0.13
		30	277	0.11
1	1110	45	120	0.38
		45	208	0.22
		45	240	0.19
		45	277	0.16
		50	347	0.14
1	1500	60	120	0.50
		60	208	0.29
		60	240	0.25
		60	277	0.22
		60	347	0.17



SELSE
LIGHTING PRODUCTS

© 2019 Selser Lighting Products All rights reserved.

Due to our continued efforts to improve our products, product specifications are subject to change without notice. Selser Lighting Products reserves the right to make changes in specifications and/or to discontinue any product at any time without notice or obligation and will not be liable for any consequences resulting from the use of this publication.

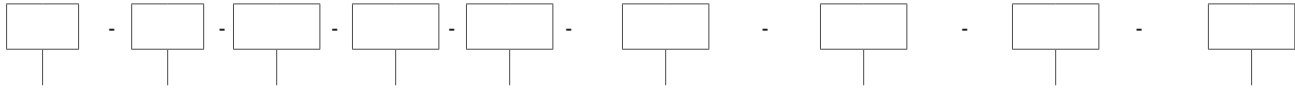
Selser Lighting Products
Po Box 45160
Baton Rouge, La. 70895
Phone # (225) 412-0025

Applications: Parking structures, storage areas, shopping area walkways, entryway, and low level security.

FEATURES

- » Sealed die-casting profile for indoor and outdoor applications
- » Voltage is 120-277V & 347V
- » Lumen output from 3500-7600lm with efficacy up to 127lm/W
- » Optional Parking Garage Photometry or Low Bay Photometry as per applications
- » Increase energy savings with bi-level Motion sensor
- » Replacing 100W MH and 175W MH
- » Operating temperature is -40°C to 45°C (-40°F to 113°F)
- » UL/cUL wet location and DLC premium qualified

ORDER MATRIX



FIXTURE TYPE	WATTAGE	VOLTAGE	CCT	FINISH	SENSOR (Option)	DIMMABLE	PHOTOCELL	EMERGENCY BATTERY (ONLY FOR 45W)
GRCP03	30 30W	27V 120-277V	40K 4000K	D Dark Bronze	Blank Without Sensor	D 1-10V Dimmable	PG Parking Garage	B Emergency Battery
	45 45W	34V 347V	50K 5000K	B Black	M With Sensor	Blank NON Dimmable	LB Low Bay	Blank Without Emergency Battery
	50 50W			W White				
	60 60W							
	65 65W							

Note: 1. The watt is 45W when the voltage is 120-277V, while the voltage is 347V, the watt is 50W.
 2. The watt is 65W when the voltage is 120-277V, while the voltage is 347V, the watt is 65W.
 3. Optional emergency battery only for 45W.



SELSER™
 LIGHTING PRODUCTS

© 2019 Selsler Lighting Products All rights reserved.
 Due to our continued efforts to improve our products, product specifications are subject to change without notice. Selsler Lighting Products reserves the right to make changes in specifications and/or to discontinue any product at any time without notice or obligation and will not be liable for any consequences resulting from the use of this publication.

Selsler Lighting Products
 Po Box 45160
 Baton Rouge, La. 70895
 Phone # (225) 412-0025