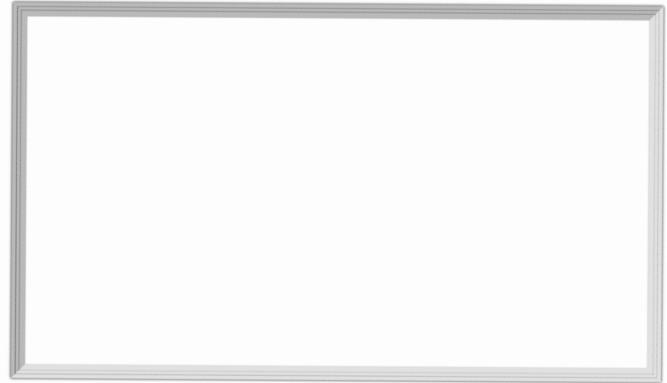
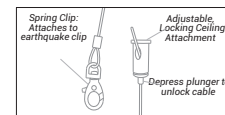
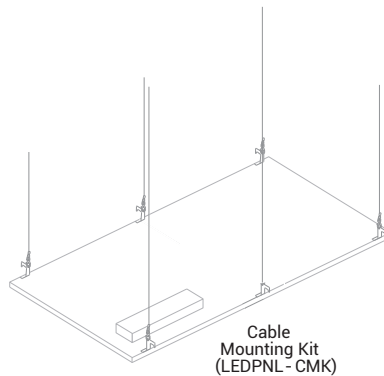
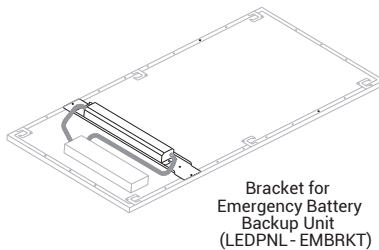
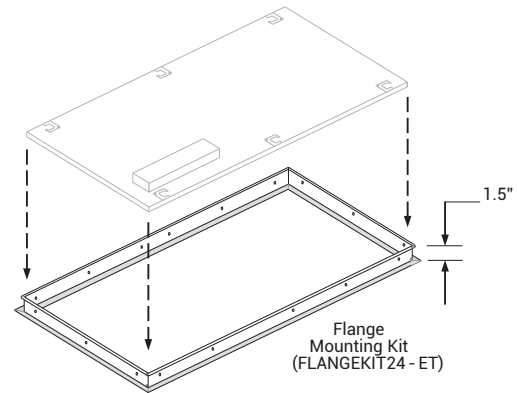
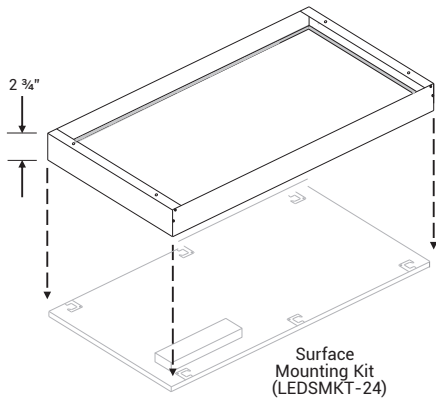


LEDPNL2X4 - 35W	Cat. #		SELSER™ LIGHTING PRODUCTS
	Job	Type	
			Approvals



- » Optional mounting kits (SMK24) mounts below the ceiling.
- » Optional flange mounting kits provide for recessed installation on plaster or other hard ceilings. Attach Flange Mount Kit (FLANGEKIT24-ET) to ceiling joists or other stationary structures, and the panel is mounted flush to the ceiling.
- » Optional cable mounting kits provide additional security, as well as suspended mounting. Attach one end of the Cable Mount Kit (LEDPNL-CMK) to luminaire earthquake clips using spring clips, and attach the other end to stationary structures using the adjustable, locking ceiling attachment (see picture below right).
- » Optional bracket for emergency battery backup unit (LEDPNL-EMBRKT) provides structural support to prevent panels from bending the battery backups installed.



Cable Mount Kit:

- Spring Clip
- Adjustable, locking ceiling attachment



© 2019 Selser Lighting Products All rights reserved.

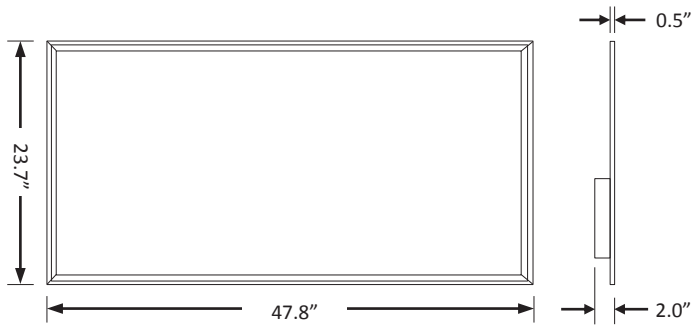
Due to our continued efforts to improve our products, product specifications are subject to change without notice. Selser Lighting Products reserves the right to make changes in specifications and/or to discontinue any product at any time without notice or obligation and will not be liable for any consequences resulting from the use of this publication.

**SELSER™
LIGHTING PRODUCTS**

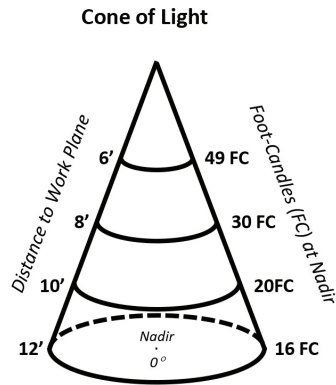
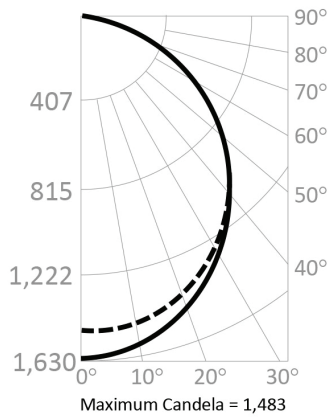
Selser Lighting Products
Po Box 45160
Baton Rouge, La. 70895
Phone # (225) 412-0025

DIMENSIONS

unit: mm/inch



PHOTOMETRICS



ELECTRICAL DATA

Model	Color Temp	CRI ¹	Luminaire Lumens	Lumens Per Watt	Luminaire Watts	Input Voltage ²	Input Current (A)			Power Factor	THD ³	L ₇₀ Hours ⁴
							120V	240V	277V			
LEDPNL2X4-35W-3KMV-PRM-BES	3000K	80	4,516	125	36	120-277	0.30	0.15	0.13	> 90%>	< 20%	81,000
LEDPNL2x4-35W-35KMV-PRM-BES	3500K	80	4,540	126	36	120-277	0.30	0.15	0.13	> 90%>	< 20%	81,000
LEDPNL2X4-35W-4KMV-PRM-BES	4000K	80	4,589	127	36	120-277	0.30	0.15	0.13	> 90%>	< 20%	81,000
LEDPNL2X4-35W-5KMV-PRM-BES	5000K	80	4,637	129	36	120-277	0.30	0.15	0.13	> 90%>	< 20%	81,000



© 2019 Selser Lighting Products All rights reserved.

Due to our continued efforts to improve our products, product specifications are subject to change without notice. Selser Lighting Products reserves the right to make changes in specifications and/or to discontinue any product at any time without notice or obligation and will not be liable for any consequences resulting from the use of this publication.

SELSER
LIGHTING PRODUCTS

Selser Lighting Products
Po Box 45160
Baton Rouge, La. 70895
Phone # (225) 412-0025

The premium-performance, ultra-thin, edge-lit LED panel (LEDPNL) series offers industry-leading lumens per watt (LPW). The LEDPNL is designed to deliver general ambient lighting in a variety of indoor settings, including schools, offices, hospitals and stores, and is the perfect choice for both new construction and retrofits. This high-efficacy luminaire provides long-life and uniform illumination, as well as standard 0-10 vdc dimming capability.

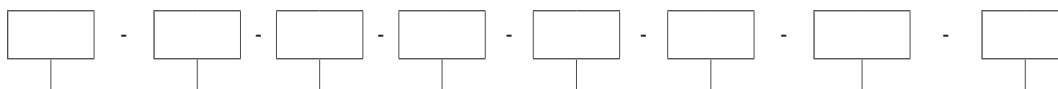
FEATURES

- » Available in 3000k (warm white), 3500k (warm/neutral white), 4000k (neutral white) and 5000k (cool white) color temperatures.*
- » Long-life LEDs provide 81,000 hours of operation with at least 70% of initial lumen output (L₇₀).**
- » Provides 4516 luminaire lumens (125 lumens per watt, LPW) at 3000k; 4,540 luminaire lumens (126 LPW) at 3500k; 4,589 luminaire lumens (127 LPW) at 4000k, and 4,637 luminaire lumens (129 LPW) at 5000k.*
- » Uniform illumination with no visible LED pixilation.
- » Universal 120-277 AC voltage (50-60Hz) is standard.
- » 0-10vdc dimming capability is standard.
- » Power factor > 0.90.
- » Total harmonic distortion < 20%.
- » Color rendering index > 80.
- » Aluminum housing.
- » PMMA (polymethyl methacrylate) light guide panels for optimal light distribution, efficiency and longevity.
- » Easy installation in new construction or retrofit.
- » Standard earthquake clips provide secure installation in grid ceilings.
- » Standard mounting options include recessed mounting in grid ceilings, or suspended mounting using attached hanging brackets. Optional surface mounting requires a surface mounting kit (option SMK)

* Contact factory for other color temperatures and lumen packages.

**L₇₀ hours are IES TM-21-11 calculated hours.

ORDER MATRIX



Model	Luminaire Watts	Luminaire Lumens	Lumens/Watt	Color Temperature	Input Voltage	DLC Listing	Options (see below for details)
LEDPNL2X4-35W	36	4,516 4,540 4,589 4,637	125 126 127 129	3K 3000K 35K 3500K 4K 4000K 5K 5000K	MV Multi-volt (120-277V)	PRM DLC Premium	SMK24 Surface Mounting Kit (2x4) FLANGEKIT/24-ET Flange Mounting Kit (2x4) LEDPNL-CMK Cable Mounting Kit, Quantity 6, 1 meter long, 1/16" diameter, with spring, clips & adjustable, locking ceiling attachment LEDPNL-EMBRKT Bracket for emergency battery backup unit



© 2019 Selser Lighting Products All rights reserved.

Due to our continued efforts to improve our products, product specifications are subject to change without notice. Selser Lighting Products reserves the right to make changes in specifications and/or to discontinue any product at any time without notice or obligation and will not be liable for any consequences resulting from the use of this publication.

SELSE[™]
LIGHTING PRODUCTS

Selser Lighting Products
Po Box 45160
Baton Rouge, La. 70895
Phone # (225) 412-0025