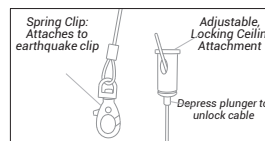
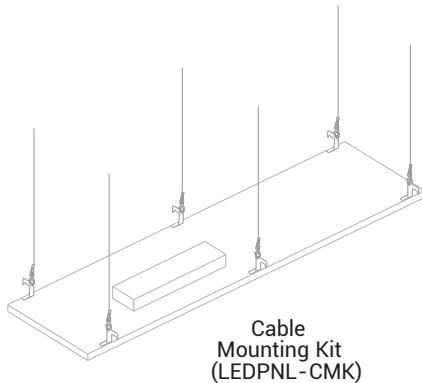
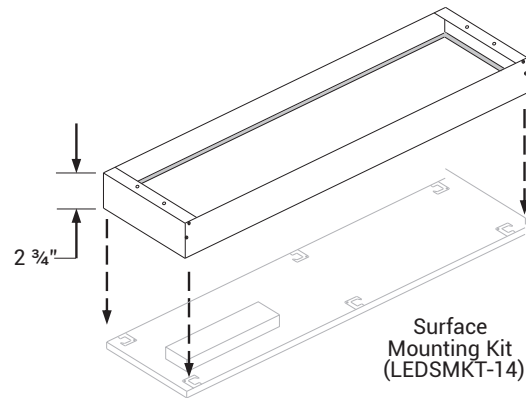
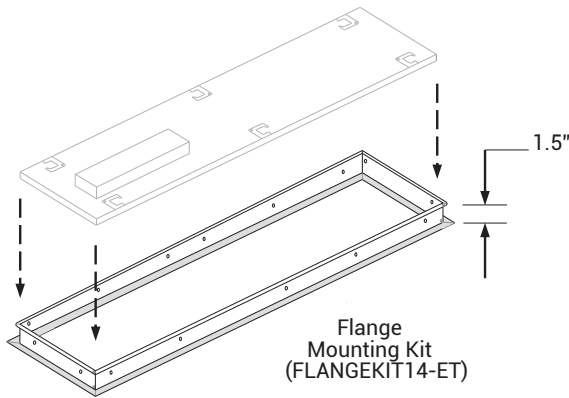


<b>LEDPNL1X4 - 35W</b>	Cat. #		<b>SELSER™</b> LIGHTING PRODUCTS
	Job	Type	



### MOUNTING OPTIONS

- » Optional surface mounting kits (SMK14) mounts below the ceiling.
- » Optional flange mounting kits provide for recessed installation on plaster or other hard ceilings. Attach Flange Mount Kit (FLANGEKIT14-ET) to ceiling joists or other stationary structures, and the panel is mounted flush to the ceiling.
- » Optional cable mounting kits provide additional security, as well as suspended mounting. Attach one end of the Cable Mount Kit (LEDPNL-CMK) to luminaire earthquake clips using spring clips, and attach the other end to stationary structures using the adjustable, locking ceiling attachment



#### Cable Mount Kit:

- Spring Clip
- Adjustable, locking ceiling attachment



© 2019 Selser Lighting Products All rights reserved.

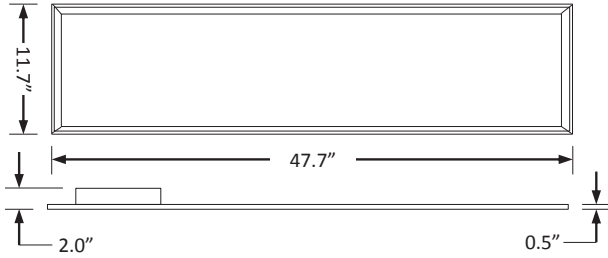
Due to our continued efforts to improve our products, product specifications are subject to change without notice. Selser Lighting Products reserves the right to make changes in specifications and/or to discontinue any product at any time without notice or obligation and will not be liable for any consequences resulting from the use of this publication.

**SELSER™**  
LIGHTING PRODUCTS

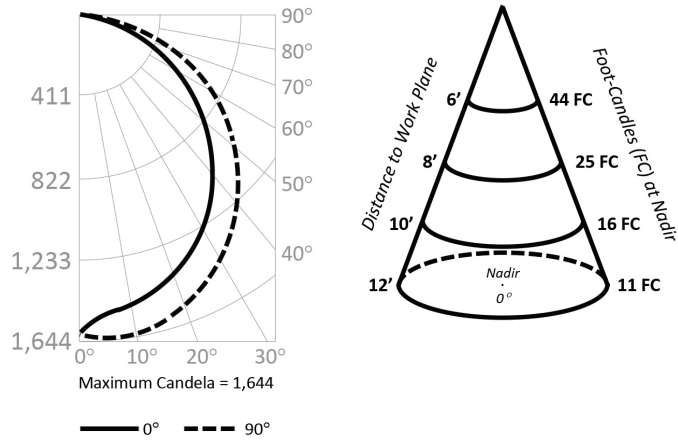
Selser Lighting Products  
Po Box 45160  
Baton Rouge, La. 70895  
Phone # (225) 412-0025

## DIMENSIONS

unit: mm/inch



## PHOTOMETRICS



## ELECTRICAL DATA

Model	Color Temp	CRI <sup>1</sup>	Luminaire Lumens	Luminaire Watts	Input Voltage <sup>2</sup>	Input Current (A)			Power Factor	THD <sup>3</sup>	L <sub>70</sub> Hours <sup>4</sup>
						120V	240V	240V			
27W	3000K	80	4,517	122	120-277	0.31	0.15	0.15	> 90%>	3600lm	133 lm/W
40W	3500K	80	4,616	125	120-277	0.31	0.15	0.15	> 90%>	5300lm	132 lm/W
70W	4000K	80	4,673	126	120-277	0.31	0.15	0.15	> 90%>	9150lm	131 lm/W
10x 0W	5000K	80	4,730	128	120-277	0.31	0.15	0.15	> 90%>	13000lm	130 lm/W



© 2019 Selser Lighting Products All rights reserved.

Due to our continued efforts to improve our products, product specifications are subject to change without notice. Selser Lighting Products reserves the right to make changes in specifications and/or to discontinue any product at any time without notice or obligation and will not be liable for any consequences resulting from the use of this publication.

**SELSER**  
LIGHTING PRODUCTS

Selser Lighting Products  
 Po Box 45160  
 Baton Rouge, La. 70895  
 Phone # (225) 412-0025

The premium-performance, ultra-thin, edge-lit LED panel (LEDPNL) series offers industry-leading lumens per watt (LPW). The LEDPNL is designed to deliver general ambient lighting in a variety of indoor settings, including schools, offices, hospitals and stores, and is the perfect choice for both new construction and retrofits. This high-efficacy luminaire provides long-life and uniform illumination, as well as standard 0-10 vdc dimming capability.

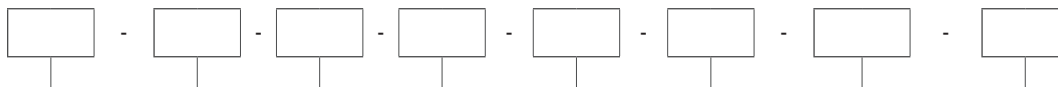
### FEATURES

- » Available in 3000k (warm white), 3500k (warm/neutral white), 4000k (neutral white) and 5000k (cool white) color temperatures.\*
- » Long-life LEDs provide 81,000 hours of operation with at least 70% of initial lumen output (L70).\*\*
- » Provides 4,517 luminaire lumens (122 lumens per watt, LPW) at 3000k; 4,616 luminaire lumens (125 LPW) at 3500k; 4,673 luminaire lumens (126 LPW) at 4000k, and 4,730 luminaire lumens (128 LPW) at 5000k.\*
- » Uniform illumination with no visible LED pixilation.
- » Universal 120-277 AC voltage (50-60Hz) is standard.
- » 0-10vdc dimming capability is standard.
- » Power factor > 0.90.
- » Total harmonic distortion < 20%.
- » Color rendering index > 80.
- » Aluminum housing.
- » PMMA (p olymethyl methacrylate) light guide panels for optimal light distribution, efficiency and longevity.
- » Easy installation in new construction or retrofit.
- » Standard earthquake clips provide secure installation in grid ceilings.
- » Standard mounting options include recessed mounting in grid ceilings, or suspended mounting using attached hanging brackets. For mounting in plaster or other hard ceiling, see Mounting Kits.

\* Contact factory for other color temperatures and lumen packages.

\*\*L<sub>70</sub> hours are IES TM-21-11 calculated hours.

### ORDER MATRIX



Model	Luminaire Watts	Luminaire Lumens	Lumens/Watt	Color Temperature	Input Voltage	DLC Listing	Options (see below for details)
LEDPNL1X4-35W	37	4,517 4,616 4,673 4,730	122 125 126 128	3K 3000K 35K 3500K 4K 4000K 5K 5000K	MV Multi-volt (120-288V)	PRM DLC Premium	<b>SMK14</b> Surface Mounting Kit (1x4) <b>FLANGEKIT/14-ET</b> Flange Mounting Kit (1x4) <b>LEDPNL-CMK</b> Cable Mounting Kit, Quantity 6, 1 meter long, 1/16" diameter, with spring, clips & adjustable, locking ceiling attachment <b>LEDPNL-EMBRKT</b> Bracket for emergency battery backup unit



© 2019 Selser Lighting Products All rights reserved.

Due to our continued efforts to improve our products, product specifications are subject to change without notice. Selser Lighting Products reserves the right to make changes in specifications and/or to discontinue any product at any time without notice or obligation and will not be liable for any consequences resulting from the use of this publication.

**SELSE**<sup>™</sup>  
LIGHTING PRODUCTS

Selser Lighting Products  
Po Box 45160  
Baton Rouge, La. 70895  
Phone # (225) 412-0025