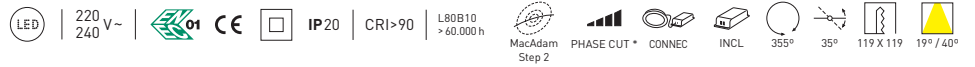


Photography: Jesús Granada - Fotografía de Arquitectura

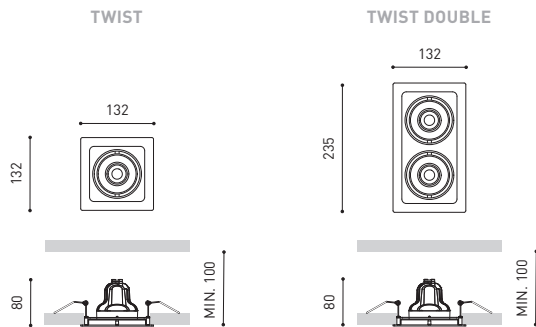
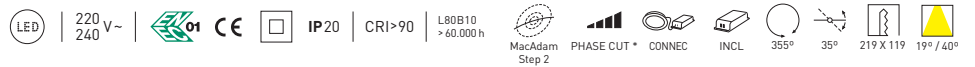
TWIST



				P	CCT	Beam	I	Flux	LOR
TWIST 1	A204-12-10-	WT	NT	7W	2700K	19°	200mA	900Lm	92%
	A204-12-11-	WT	NT	7W	3000K	19°	200mA	930Lm	92%
	A204-12-12-	WT	NT	7W	4000K	19°	200mA	950Lm	92%
	A204-12-20-	WT	NT	7W	2700K	40°	200mA	900Lm	86%
	A204-12-21-	WT	NT	7W	3000K	40°	200mA	930Lm	86%
	A204-12-22-	WT	NT	7W	4000K	40°	200mA	950Lm	86%
TWIST 2	A204-32-10-	WT	NT	10,5W	2700K	19°	300mA	1270Lm	92%
	A204-32-11-	WT	NT	10,5W	3000K	19°	300mA	1320Lm	92%
	A204-32-12-	WT	NT	10,5W	4000K	19°	300mA	1340Lm	92%
	A204-32-20-	WT	NT	10,5W	2700K	40°	300mA	1270Lm	86%
	A204-32-21-	WT	NT	10,5W	3000K	40°	300mA	1320Lm	86%
	A204-32-22-	WT	NT	10,5W	4000K	40°	300mA	1340Lm	86%



				P	CCT	Beam	I	Flux	LOR
TWIST Double 1	A204-22-10-	WT	NT	2 X 7W	2700K	19°	200mA	2 X 900Lm	92%
	A204-22-11-	WT	NT	2 X 7W	3000K	19°	200mA	2 X 930Lm	92%
	A204-22-12-	WT	NT	2 X 7W	4000K	19°	200mA	2 X 950Lm	92%
	A204-22-20-	WT	NT	2 X 7W	2700K	40°	200mA	2 X 900Lm	86%
	A204-22-21-	WT	NT	2 X 7W	3000K	40°	200mA	2 X 930Lm	86%
	A204-22-22-	WT	NT	2 X 7W	4000K	40°	200mA	2 X 950Lm	86%
TWIST Double 2	A204-42-10-	WT	NT	2 X 10,5W	2700K	19°	300mA	2 X 1270Lm	92%
	A204-42-11-	WT	NT	2 X 10,5W	3000K	19°	300mA	2 X 1320Lm	92%
	A204-42-12-	WT	NT	2 X 10,5W	4000K	19°	300mA	2 X 1340Lm	92%
	A204-42-20-	WT	NT	2 X 10,5W	2700K	40°	300mA	2 X 1270Lm	86%
	A204-42-21-	WT	NT	2 X 10,5W	3000K	40°	300mA	2 X 1320Lm	86%
	A204-42-22-	WT	NT	2 X 10,5W	4000K	40°	300mA	2 X 1340Lm	86%



ACCESSORY

TWIST High Chromatic LED**

NOT SOLD SEPARATELY



i » 366

COLOUR | WT □ RAL 9016 | NT ■ RAL 9005 | MATERIAL | AL

i » 368

* OTHER DIM OPTIONS PLEASE CONSULT | ** AFFECTS THE LIGHTING PARAMETERS

» PLEASE CONSULT