

Product No. **6088-700-10**
 S No. **4112869**
 EAN No. **7312906088109**



Bernadotte

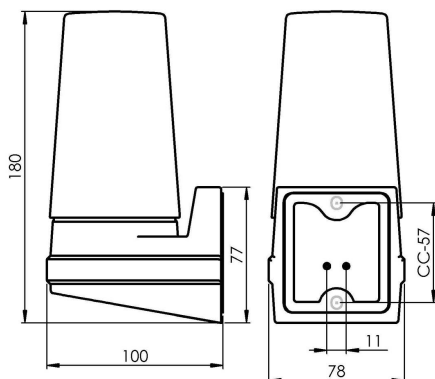
It is said that good design is timeless. Designed by Sigvard Bernadotte in the middle of the 1960's this light fitting fits this description perfectly. Now, more than 50 years later, we present the same assortment with a new IP rating - IP44.

Specification

Base material	Porcelain
Lampholder	E14
Light source	Max 40W (not incl.)
Voltage	230V
Installation	Wall
Base colour	White NCS S 1502-G50Y
Safety class	II
Protection class	IP44
Energy class	A++ - E
T _a	-30 - +25
Height	180 mm
Diameter Ø	
Glass	Shiny opal
Thread	57 mm
Weight	0,78 kg
Design	Sigvard Bernadotte

Installation

Insert the mains supply cable through the silicone gasket. Fix the light fitting to the wall with suitable screws. Connect the leads to the terminals, put the lamp holder in place and fasten it with the lamp holder ring. Insert a light source and then fasten the shade by turning it clockwise. Make sure the gasket between the glass and base is in place.



Technical information

Silicone gasket between glass and base. Two Ø 5mm holes for installation. CC measurement 57 mm. Silicone gasket between base and wall with outlet for two power cables. Wire connection directly on lamp holder for connection of max 2 x 1,5 mm². Bridging is possible. Bottom inlet. No knock out openings.

Maintenance

Switch off the power to the fixture. Remove the shade and clean it. Do not use cleaning agents containing solvents. Change the light source if necessary. Check the gasket and change it if necessary. Replace the shade.

Spare parts

Shade: Part no 1-6109
 Gasket: Part no 3390

If the luminaire is modified the person responsible for the modification shall be considered manufacturer. Subject to errors in text. We reserve the right to change the technical specifications (without notice).

Product No. **6088-700-16**
 S No. **4112877**
 EAN No. **7312906088161**



Bernadotte

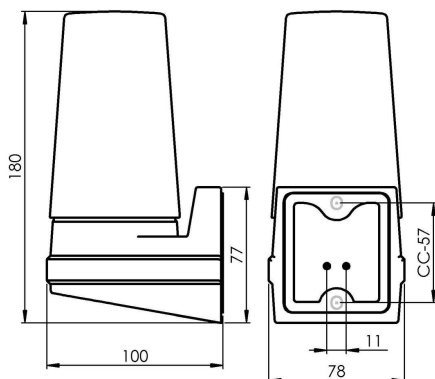
It is said that good design is timeless. Designed by Sigvard Bernadotte in the middle of the 1960's this light fitting fits this description perfectly. Now, more than 50 years later, we present the same assortment with a new IP rating - IP44.

Specification

Base material	Porcelain
Lampholder	E14
Light source	Max 40W (not incl.)
Voltage	230V
Installation	Wall
Base colour	Black NCS S 9000-N
Safety class	II
Protection class	IP44
Energy class	A++ - E
T _a	-30 - +25
Height	180 mm
Diameter Ø	
Glass	Shiny opal
Thread	57 mm
Weight	0,78 kg
Design	Sigvard Bernadotte

Installation

Insert the mains supply cable through the silicone gasket. Fix the light fitting to the wall with suitable screws. Connect the leads to the terminals, put the lamp holder in place and fasten it with the lamp holder ring. Insert a light source and then fasten the shade by turning it clockwise. Make sure the gasket between the glass and base is in place.



Technical information

Silicone gasket between glass and base. Two Ø 5mm holes for installation. CC measurement 57 mm. Silicone gasket between base and wall with outlet for two power cables. Wire connection directly on lamp holder for connection of max 2 x 1,5 mm². Bridging is possible. Bottom inlet. No knock out openings.

Maintenance

Switch off the power to the fixture. Remove the shade and clean it. Do not use cleaning agents containing solvents. Change the light source if necessary. Check the gasket and change it if necessary. Replace the shade.

Spare parts

Shade: Part no 1-6109
 Gasket: Part no 3390

If the luminaire is modified the person responsible for the modification shall be considered manufacturer. Subject to errors in text. We reserve the right to change the technical specifications (without notice).