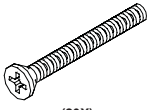

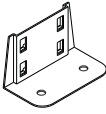

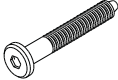
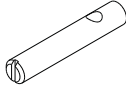

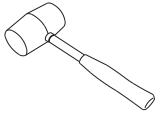
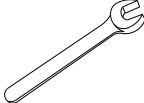
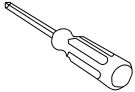
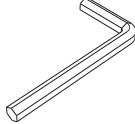


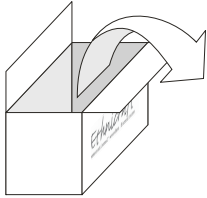
OAK NORDIC II BED - WITH SLATS ASSEMBLY INSTRUCTION FOR BED INSTALATION

HARDWARE

 (20X) JCBC SCREW Ø 5 x 60 mm	 (12X) NUT Ø 5	 (8X) L BRACKET	 (4X) JCBC SCREW Ø 6 x 20
 (1X) JCBC SCREW Ø 6 x 45 mm	 (1X) CROSS NUT	 (12X) WASHER M5	

TOOLS

 RUBBER HAMMER (Not included in package)	 WRENCH (Not included in package)	 SCREWDRIVER (Not included in package)
		 L KEY (included in package)



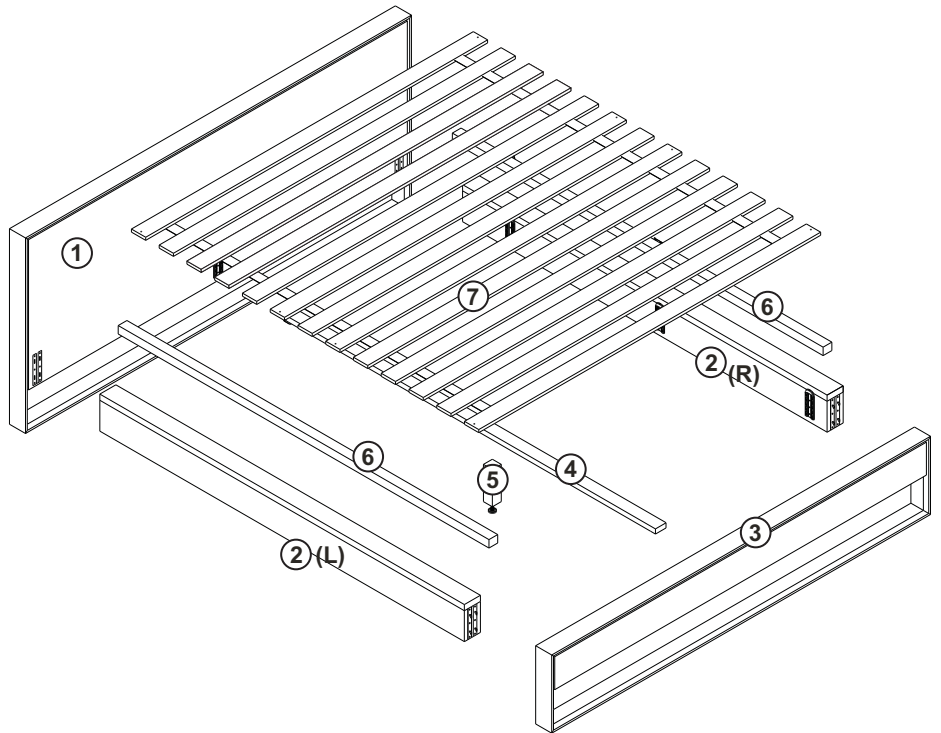
IN YOUR PACKAGE :

ASSEMBLY INSTRUCTION

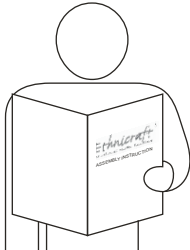
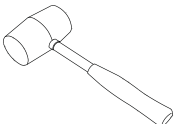


HARDWARE (AS LISTED ABOVE)

PARTS TO BE INSTALLED

- 1) HEADBOARD 1 piece
- 2) SIDE SUPPORT 2 pieces
- 3) FOOTBOARD 1 piece
- 4) CENTER SUPPORT 1 piece
- 5) CENTER LEG 1 piece
- 6) SLATS SUPPORTS 2 pieces
- 7) SLATS 1 set



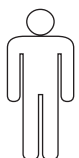
NOTICE

✓ 	✓ 	X 	 X3
--	--	---	--

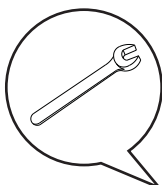
SYMBOLS



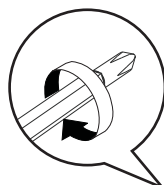
DIRECTION



NUMBER OF
PERSONS NEEDED



USE WRENCH
TO TIGHTEN



USE SCREWDRIVER
TO TIGHTEN



USE L KEY
TO TIGHTEN



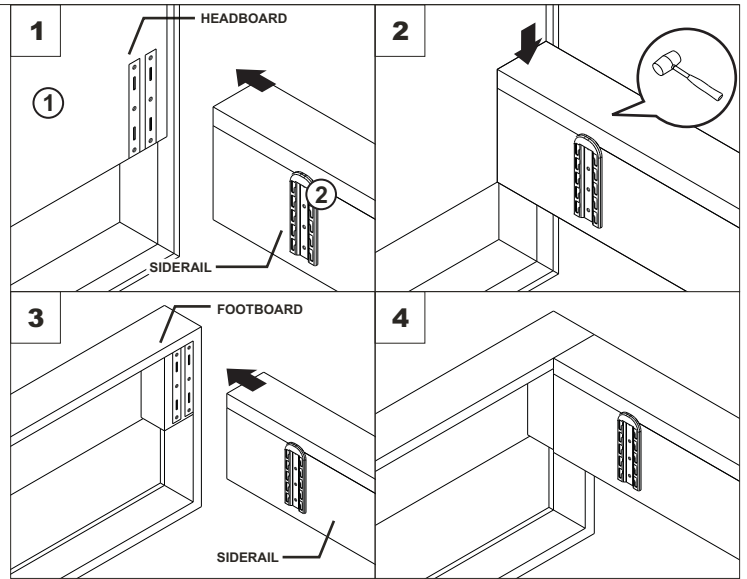
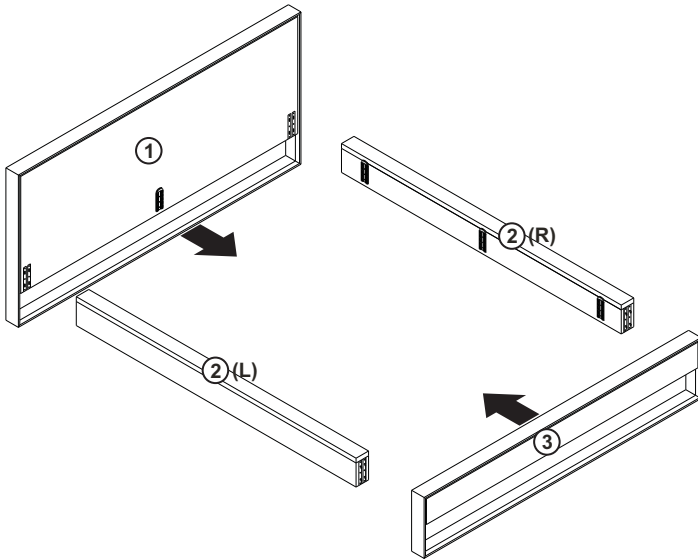
USE RUBBER
HAMMER



USE HAND

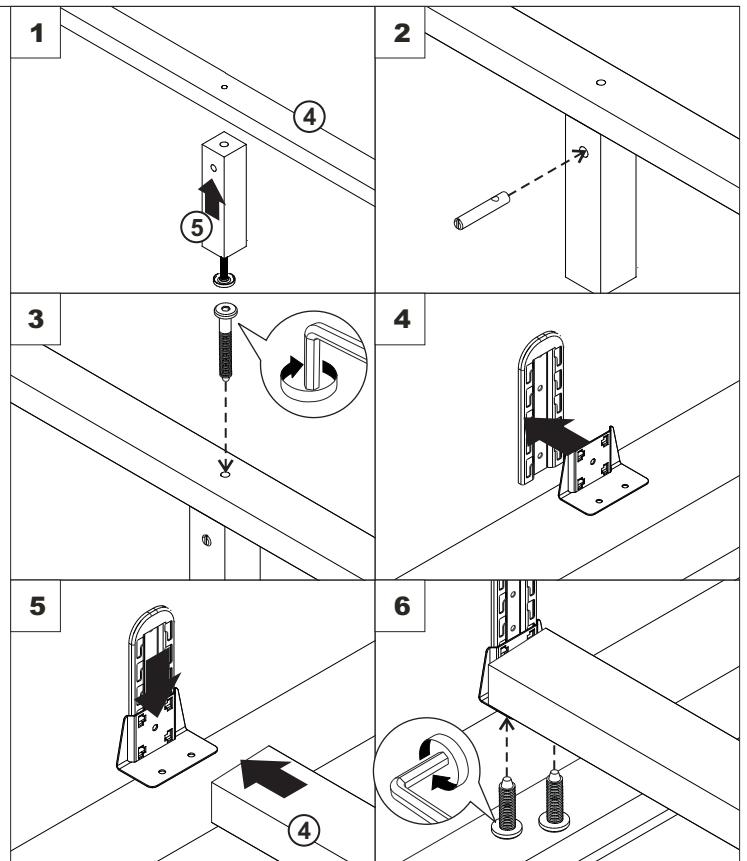
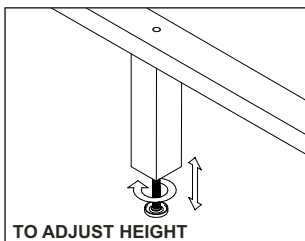
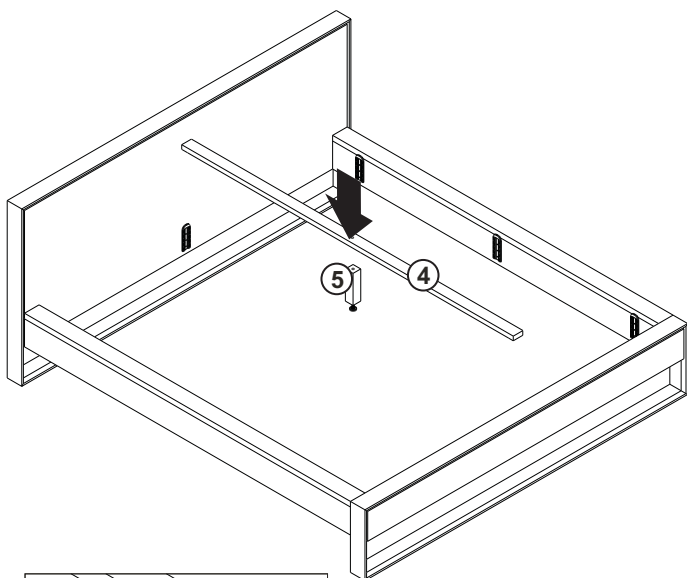
OAK NORDIC II BED - WITH SLATS ASSEMBLY INSTRUCTION FOR BED INSTALATION

A. Connecting Side Rail and Head/Foot board



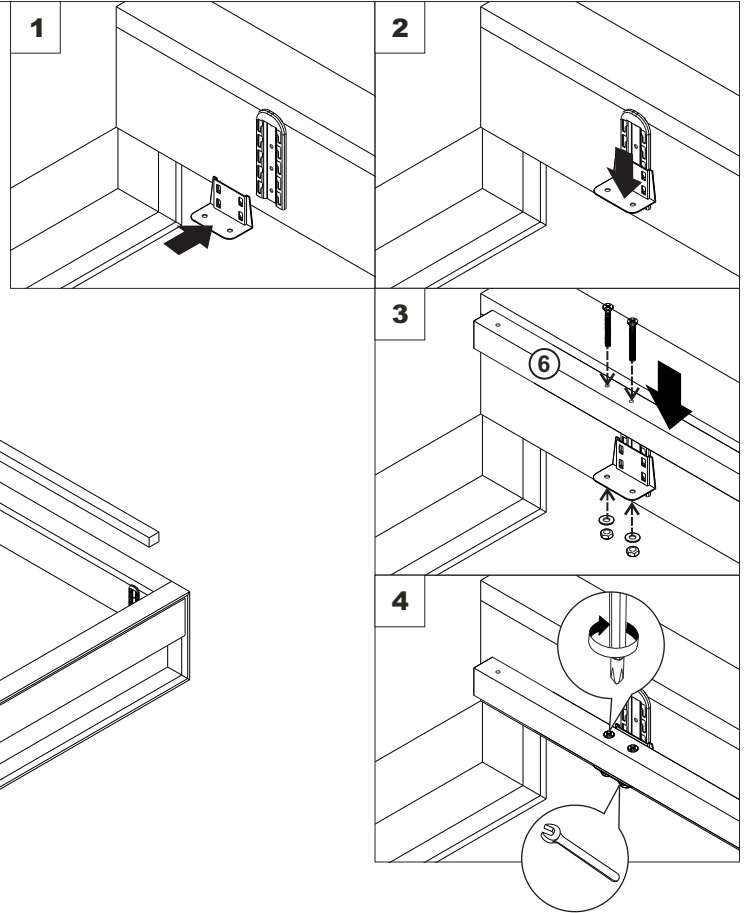
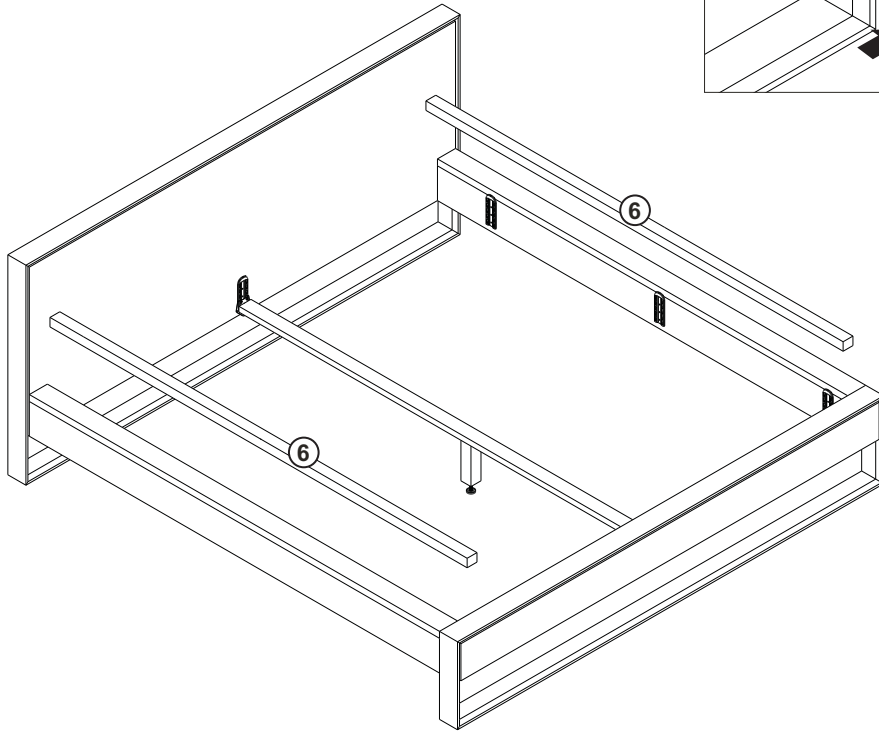
⚠ Two persons hold each of the side rail

B. Installing Center Support and Center Leg

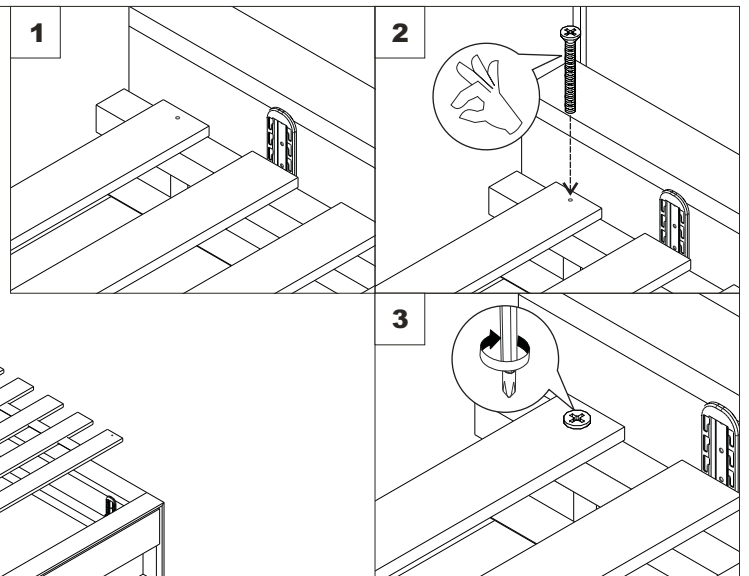
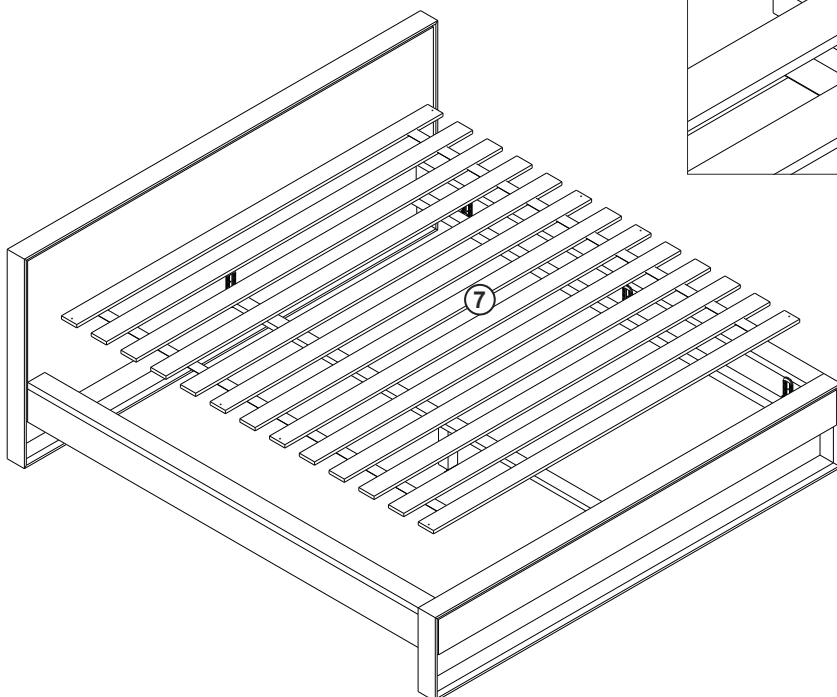


OAK NORDIC II BED - WITH SLATS ASSEMBLY INSTRUCTION FOR BED INSTALATION

C. Installing Slats Support



D. Installing Slats



 SLATS TO BE ASSEMBLED ARE NUMBER 1, 6, 8, AND 13