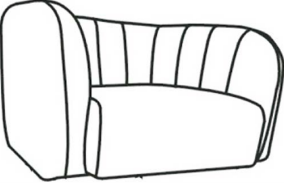
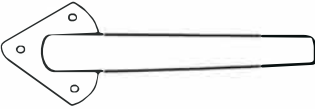
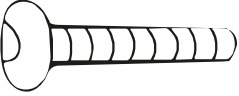

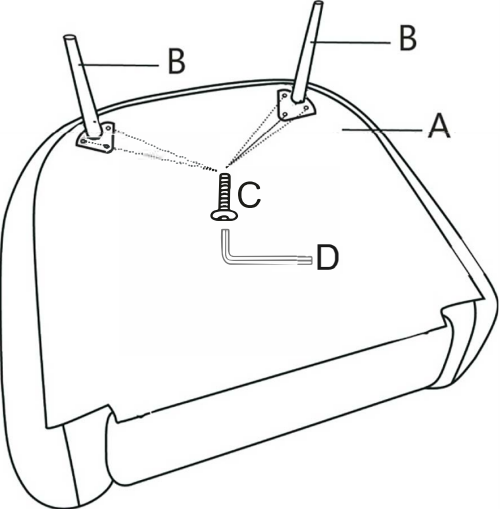
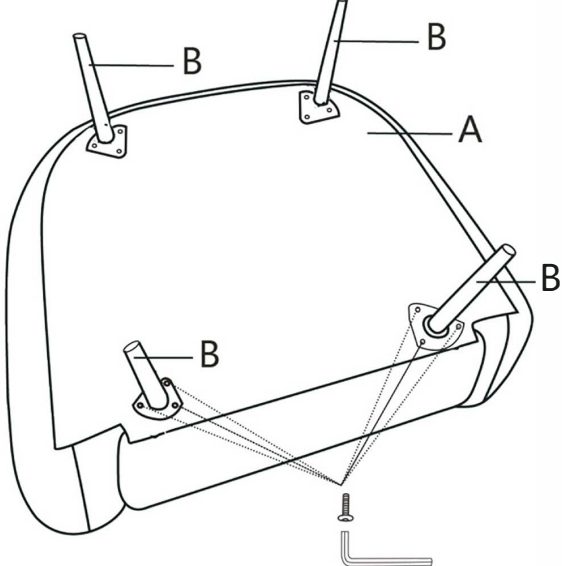
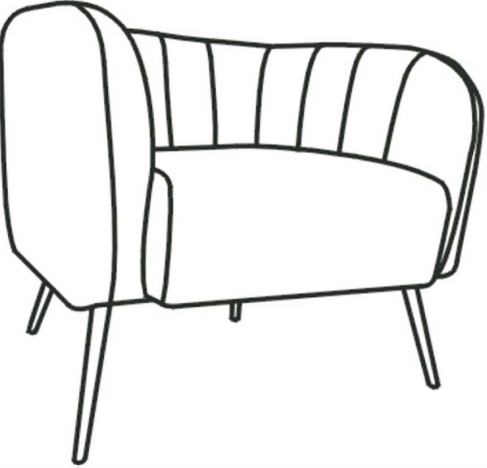


Assembly Instruction

<p>A*1</p> 	<p>B*4</p> 	<p>C*12</p> 	<p>D*1</p> 
--	---	---	--

<p>1</p> 	<p>2</p> 	<p>3</p> 
---	--	---