

PLEASE NOTE:

This manual contains safety, assembly, use, and maintenance instructions. Read these instructions carefully before use and keep them for future reference. DO NOT DISCARD

Contents

1 Safety Page 2 - 3

Assembly Warnings
Trailer Use Warnings
Use and Maintenance Warnings

2 Parts and Features Page 3

3 Assembly Page 4 - 6

Unfold the Frame
Attach the Canopy
Extend and Secure the Tow Bar
Attach the Wheels
Insert the Safety Flag

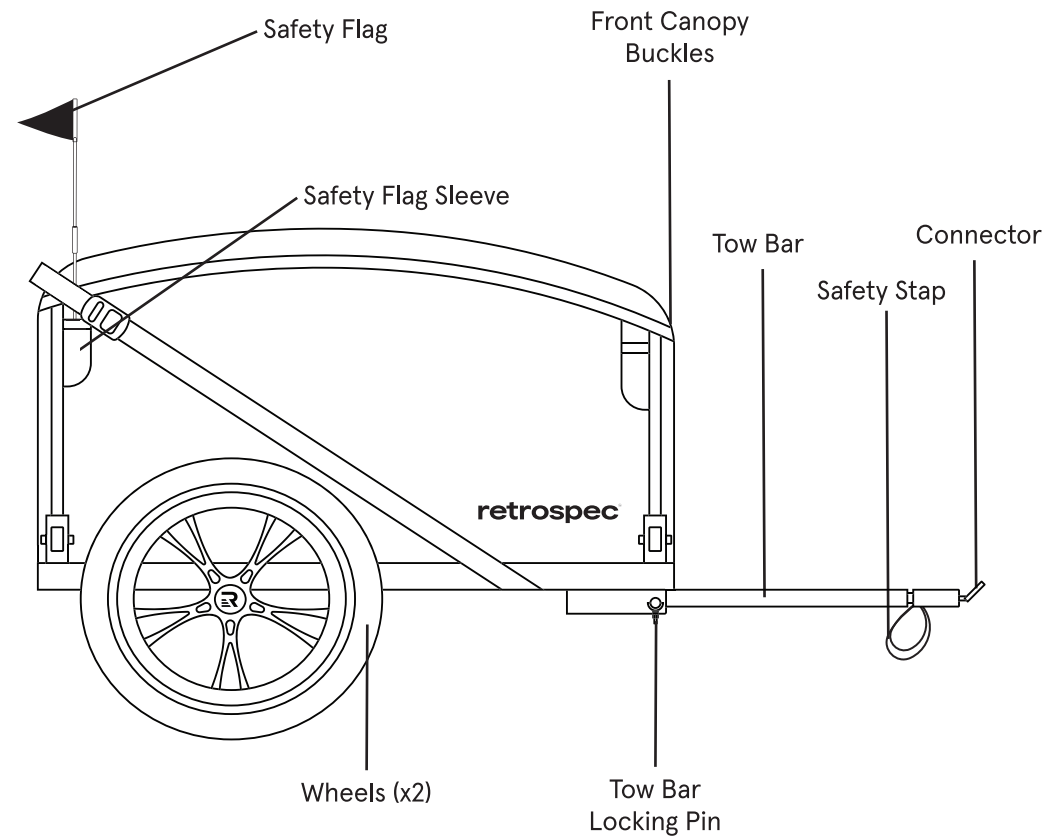
4 Trailer Attachment Page 7 - 8

Attachment with Quick Release
Attach the Safety Strap

5 Disassembly and Storage Page 8 - 10

Disconnecting Tow Bar
Remove Flag
Remove Wheels
Stowing Tow Bar
Remove Canopy
Fold Frame

5 Warranty Page 10



1 Safety

FAILURE TO FOLLOW THESE INSTRUCTIONS LISTED BELOW MAY RESULT IN SERIOUS INJURY OR DEATH.

- Always read and understand the information and warnings in this manual before using the Bicycle Trailer.
- If you are unsure of any information in this manual or have a question regarding assembly or use please call customer service.
- Always keep this manual for reference and include it with resale of the Cargo Trailer.

Assembly Warnings

- An adult who has read and understands the information and warnings in this manual must assemble this product according to manufacturer's instructions.
- Do not use the product if there are any missing or damaged parts.
- Dispose of all plastic bags and wrapping material immediately and responsibly.
- Check the assembly (i.e.: crossbar locked, screws tight) before using the product. Use caution to avoid pinch points when folding or unfolding the trailer.
- Never allow children to assemble, fold, or disassemble the trailer.

Trailer Use Warnings

- Do not carry humans or pets in this trailer.
- The maximum weight capacity is 80lbs/36kgs. The total weight, cargo and trailer, cannot exceed 120lbs/55kgs.
- Do not exceed maximum, the extra weight and height will increase the center of gravity which increases the risk of tip-over.

Use and Maintenance Warnings

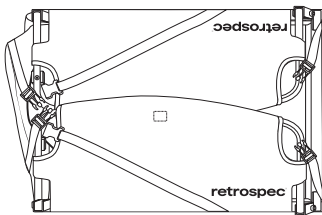
- Have your trailer and bicycle inspected annually by a bicycle service professional.
- Accessories not approved by the manufacturer must not be used.
- Do not put the trailer long time in direct sunlight, otherwise the fabric cover will get color fading.
- Do not store trailer in a humid environment, this can cause mold in the fabric and corrode metal parts.
- Check the trailer for damage each time before using. Do not use if it is damaged.
- Check that all fasteners and connections are tight and secure.

- Over inflation of tires may result in failure and risk of serious injury.
- Do not exceed maximum pressure as shown on tires.
- Always inflate the tires within the range shown on the tire sidewall. Do not over-inflate.
- Always use a foot or hand pump to inflate the tires.
- Do not use the trailer without the safety flag and reflectors in place
- Do not pull or push the trailer with a motorized vehicle.
- Always comply with local traffic and vehicle regulations.
- Be sure the brakes work properly. Braking distance is increased when pulling a trailer.
- Avoid braking suddenly.
- The trailer requires a wide turning radius. Do not turn sharply. Sharp changes in direction may cause a tip over. Do not exceed 10 MPH.
- Allow extra clearance for the trailer when near curbs, parked cars, and other obstacles.

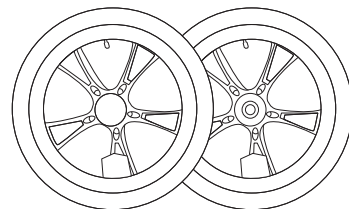
Cleaning the Trailer

- Use only mild soap and water. Towel dry. Do not machine wash. Do not use harsh chemicals or cleaning solvents.

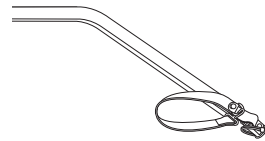
2 Parts and Features



Frame



Wheels (2)



Tow Bar



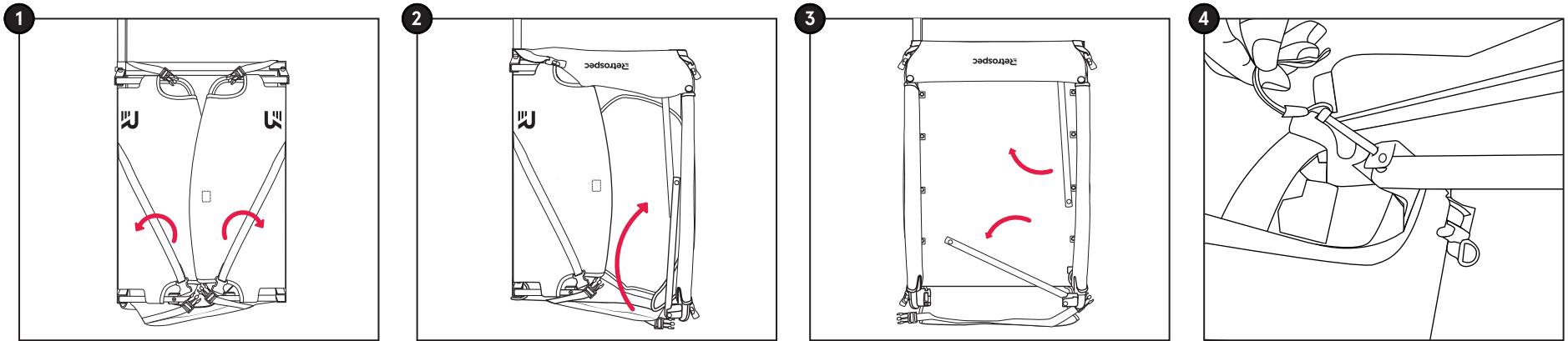
Safety Flag

3 Assembly

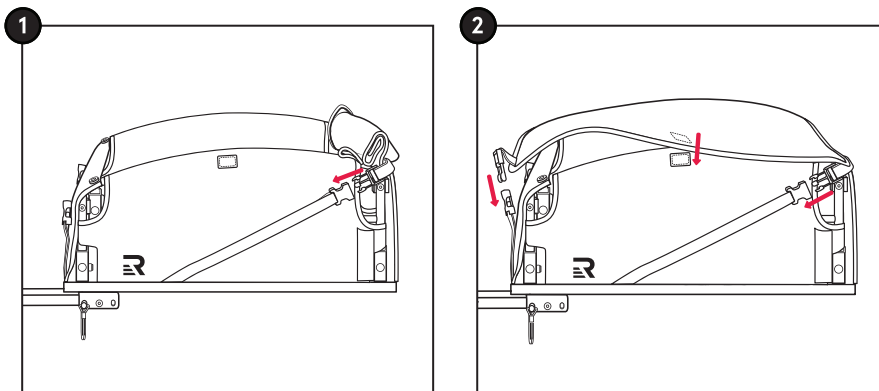
⚠ WARNING

Read and understand the manual before assembling.

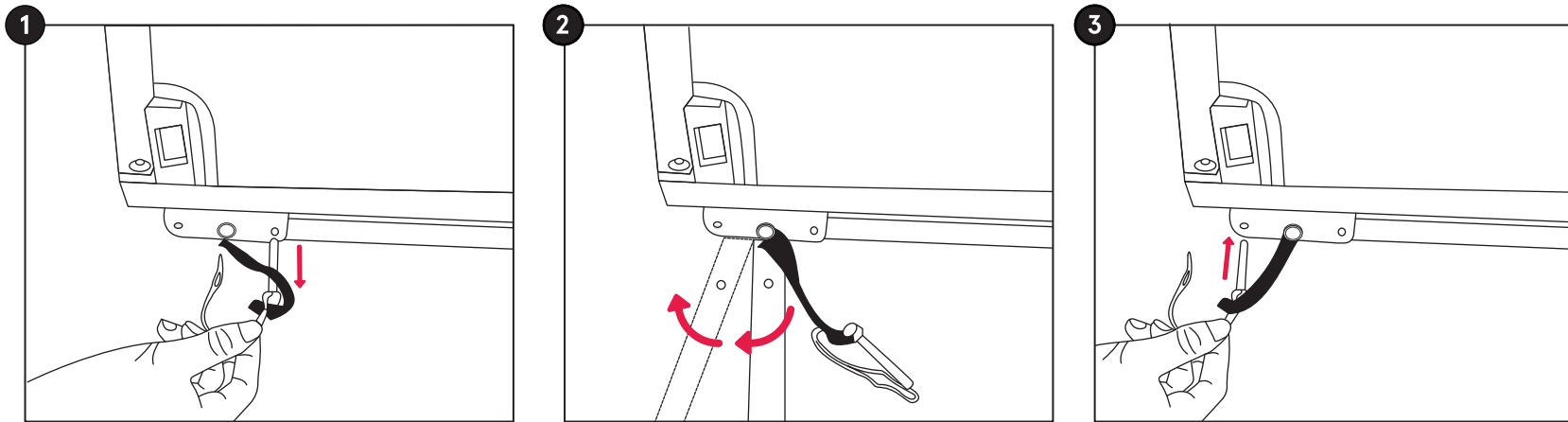
- 1 Unfold the frame, lift both sides to upright position (See #1 and #2). Assemble these two tubes on the right-angle position, and lock by hooks (See #3 & #4). Pull the tubes and make sure they are locked.



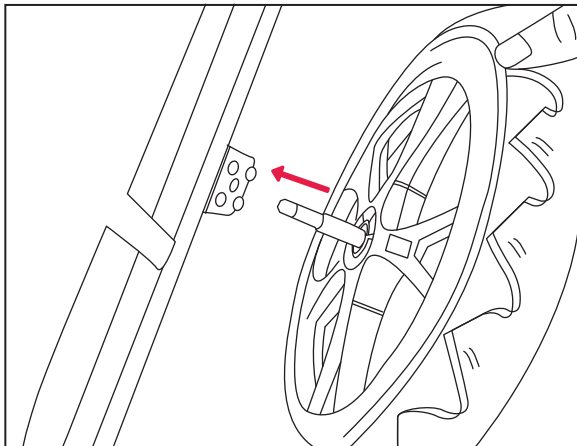
- 2 Unfold the canopy cover, attached Velcro points from rear to front. Snap the buckles into place (See #1, and #2). Then, adjust buckles until cover is flat.



- 3** Remove the locking pin for the tow bar bracket (**See #1**). Then rotate the tow bar until it rests on the front end of the frame (**See #2**). Next, insert the locking pin through both the bracket and tow bar. Check that it is securely in place (**See #3**).



- 4** Insert the axle of the wheel into the wheel bracket hole. Push the wheel into the bracket until you hear the axle click into place. Pull the wheel to check it is locked in place.

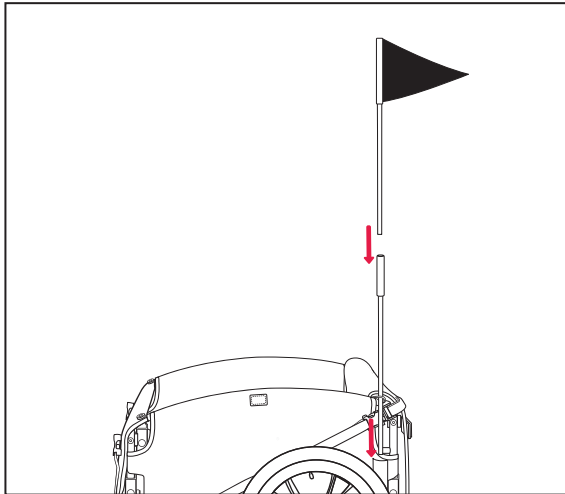


⚠ WARNING

Always check that the wheels are securely locked in place before use.
Wheels that are not securely locked in place may fall-off the trailer and cause serious injury or death.

IMPORTANT - The safety flag is an important safety feature that warns others a trailer is present and on the bicycle. Always have the safety flag on the trailer when in use.

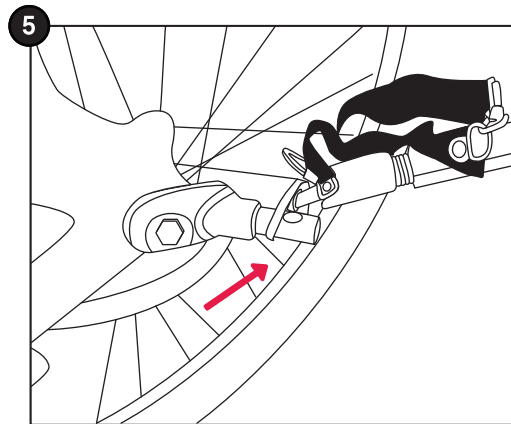
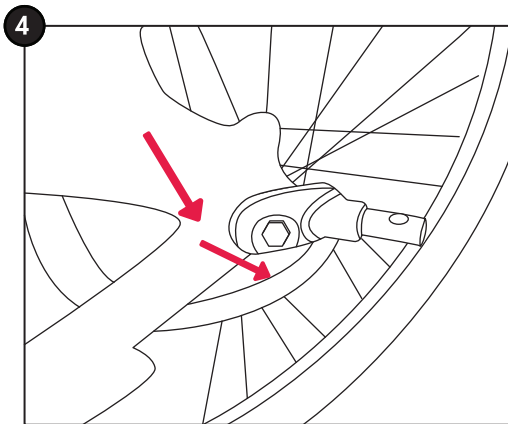
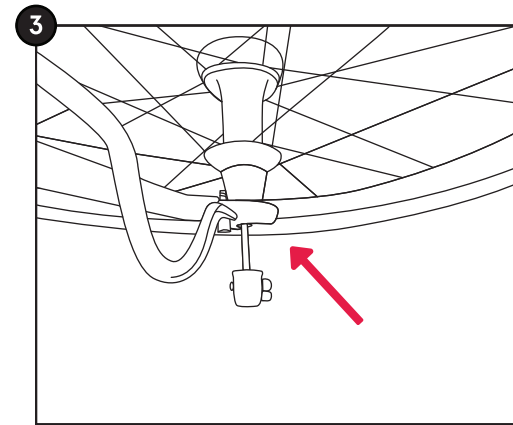
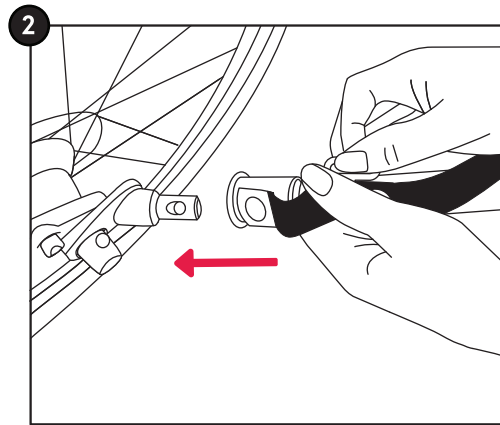
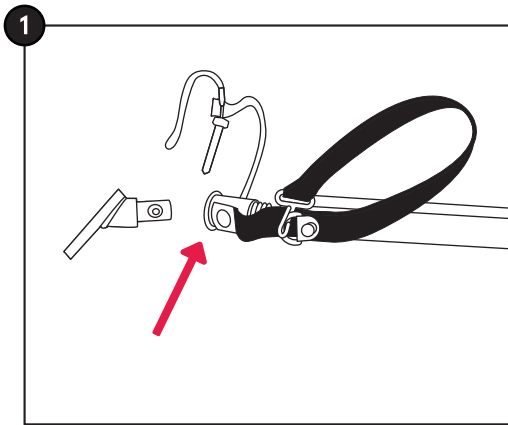
- 5** Assemble the flag pole sections by sliding the top half of the pole into the opening of the bottom half of the pole. Then, insert the flag pole into the sleeve located at the rear corner of the trailer.



4 Trailer Attachment

IMPORTANT - Make sure the connector and tow bar are in-line, this ensures the trailer tracks straight with little resistance.

- 1 Remove the tow bar connector (**See #1**). Then, remove the Quick-Release skewer or Hub Axle Nut from the left (non-drivetrain) side of the bicycle (**See #2**). Next, fix the connector to the rear axle of the bicycle, and keep it straight to connect the tow bar (**See #3**). For Hub Axle Nut see **#4**. Lastly, Connect the tow bar of the trailer to the Connector (now mounted to the hub axle) (**See #5**).

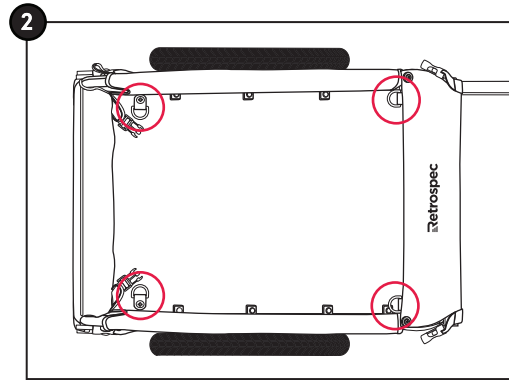
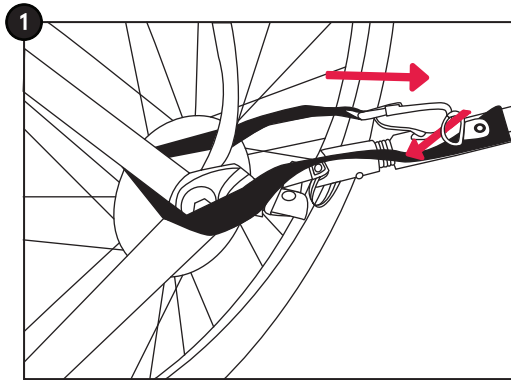


⚠ WARNING

Always attach the tow bar safety strap to the bicycle when using the trailer. Using the trailer without the safety strap attached to the bicycle may result in serious injury or death.

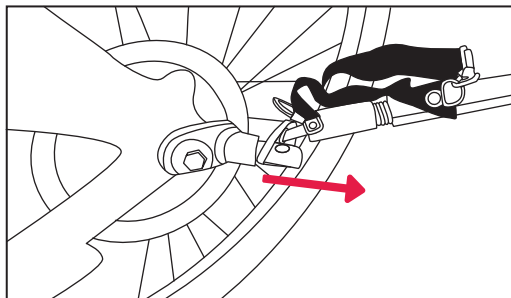
- 2 Wrap the tow bar safety strap around the bicycle frame. Clip the safety strap to the tow bar ring on the end of the tow bar (**See #1**). Be sure the tow bar safety strap is securely attached before using the trailer.

Loading Trailer: D-Rings: To help secure your cargo, use the 4 D-Rings located in the bottom corners of the trailer bed for bungy cords (**See #2**) - cross opposite corners for best results.



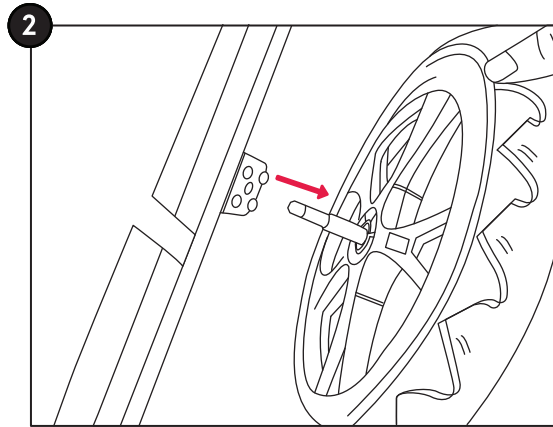
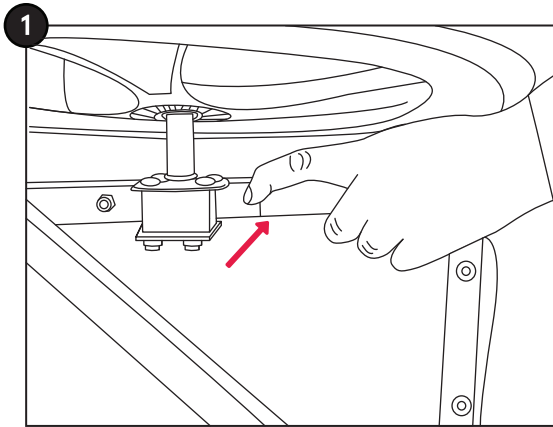
5 Disassembly and Storage

- 1 To remove the tow bar from bicycle, unfasten the clip on the safety strap from the tow bar ring, and unwrap it from the bicycle frame. Then, clip the strap back on the D-ring of the tow bar. Remove the locking pin from the tow bar connector, then remove the tow bar from the connector.

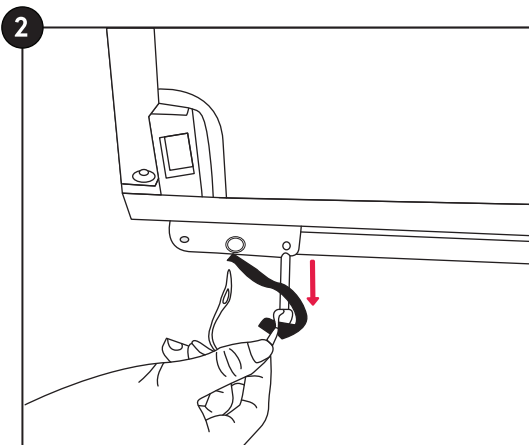
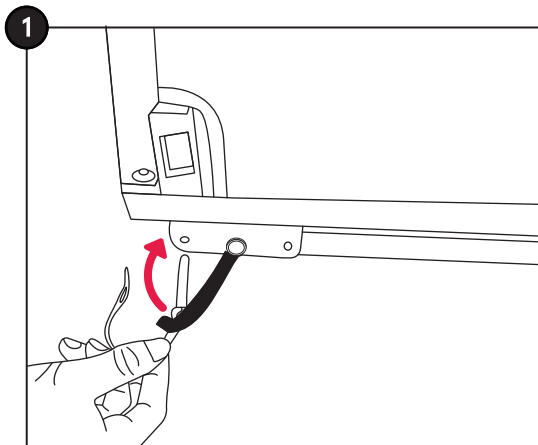


2 Next, remove the flag and separate the flag pole sections. Remove the flag from the fabric sleeve.

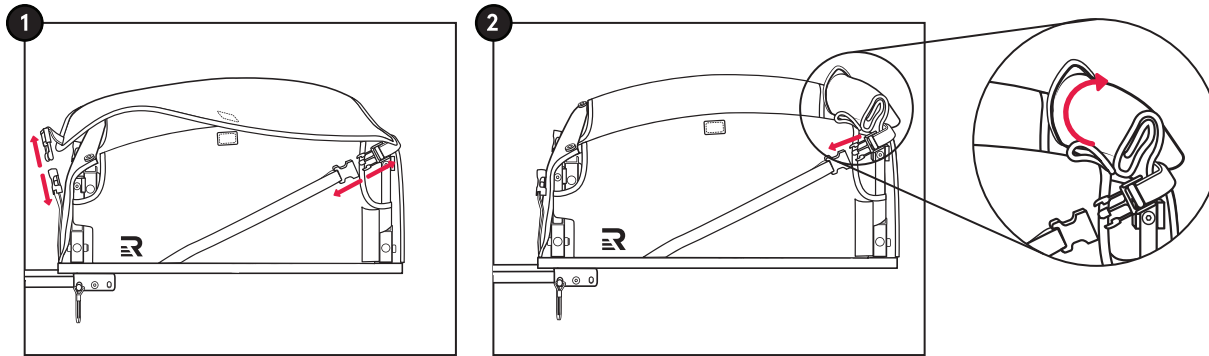
3 To remove the wheel, pull the wheel release lever out and hold (**See #1**). Remove the wheel, and release the lever (**See #2**).



4 Fold the tow bar by removing the locking pin from the tow bar bracket. (**See #1**). Then, rotate the tow bar back 180 degrees into the trailer frame bottom. Lastly, secure the tow bar with the locking pin. Make sure the safety strap is snapped into place (**See #2**).



- 5** To remove the canopy, first unsnap the two front buckles (**See #1**). Then, lift and roll the canopy, unfastening from the velcro points as you go (**See #2**). Stow with elastic straps.



- 6** To fold the trailer frame, first release both crossbars from their perches by lifting quickly. Rotate and fold the crossbars to the side walls. Fold the left and right side walls down, one over the other.

6 Warranty

Retrospec warrants this product to be free of defective materials and workmanship for 1 year from the date of original purchase.