

### PLEASE NOTE:

This manual contains safety, assembly, use, and maintenance instructions. Read these instructions carefully before use and keep them for future reference. DO NOT DISCARD.

## Contents

### **1 Safety** Page 2 - 3

Assembly Warnings  
Trailer Use Warnings  
Use and Maintenance Warnings

### **2 Parts and Features** Page 3

### **3 Assembly** Page 4 - 6

Attach the Safety Guards  
Unfold the Frame  
Extend and Secure the Tow Bar  
Attach the Wheels  
Insert the Safety Flag

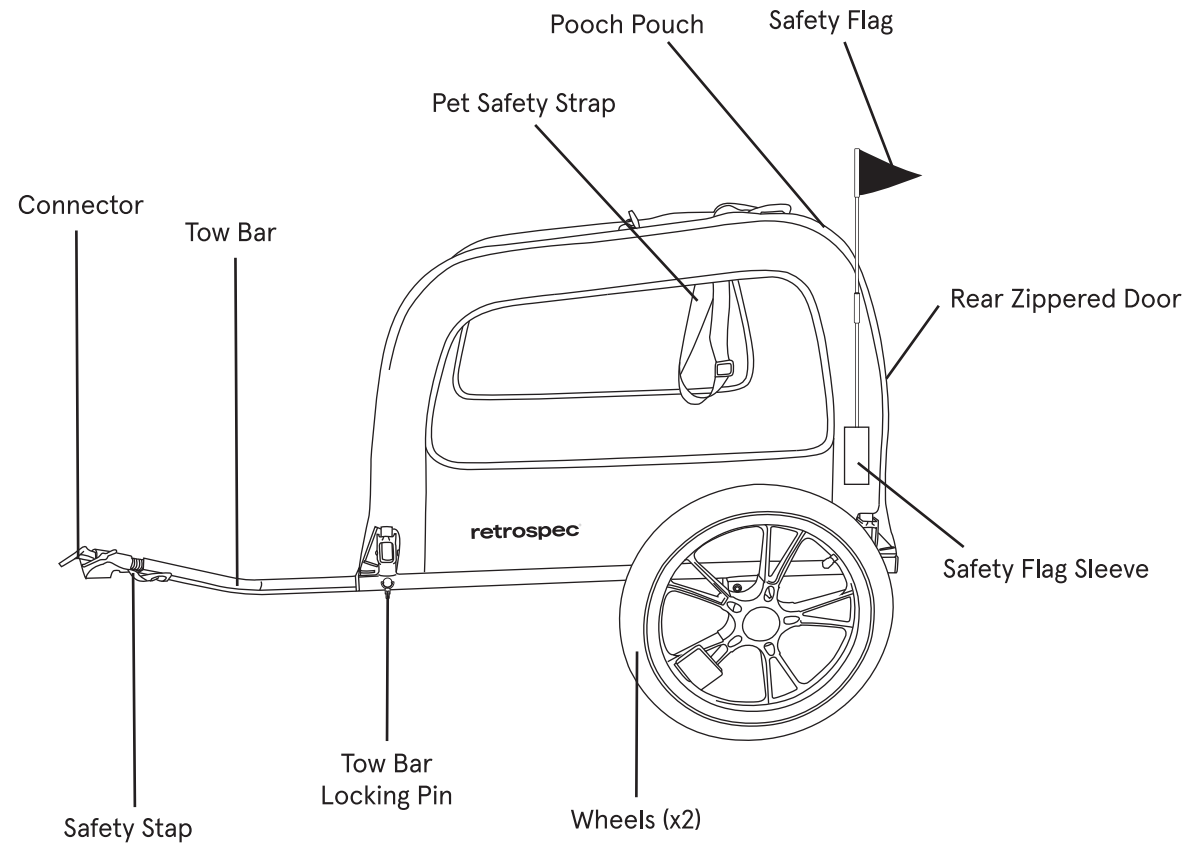
### **4 Trailer Attachment** Page 7 - 8

Attachment with Quick Release  
Attach the Safety Strap  
Operating the front and rear door

### **5 Disassembly and Storage** Page 8 - 10

Disconnecting Tow Bar  
Remove Flag  
Remove Wheels  
Stowing Tow Bar  
Fold Frame

### **5 Warranty** Page 10



# 1 Safety

## **FAILURE TO FOLLOW THESE INSTRUCTIONS LISTED BELOW MAY RESULT IN SERIOUS INJURY OR DEATH.**

- Always read and understand the information and warnings in this manual before using the Bicycle Trailer.
- If you are unsure of any information in this manual or have a question regarding assembly or use please call customer service.
- Always keep this manual for reference and include it with resale of the Cargo Trailer.

### **Assembly Warnings**

- An adult who has read and understands the information and warnings in this manual must assemble this product according to manufacturer's instructions.
- Do not use the product if there are any missing or damaged parts.
- Dispose of all plastic bags and wrapping material immediately and responsibly.
- Check the assembly (i.e.: crossbar locked, screws tight) before using the product. Use caution to avoid pinch points when folding or unfolding the trailer.
- Never allow children to assemble, fold, or disassemble the trailer.
- Use caution to avoid pinch points when folding or unfolding the trailer.

### **Trailer Use Warnings**

- Do not carry humans in this trailer.
- Make sure the inside pet safety strap is properly adjusted to the size of your pet, keeping your pet secure but with enough room to move around a bit.
- Maximum pet weight is 50 lbs. Do not exceed maximum, the extra weight and height will increase the center of gravity which increases the risk of tip-over.

### **Use and Maintenance Warnings**

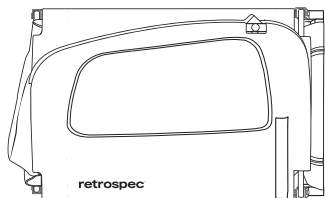
- Have your trailer and bicycle inspected annually by a bicycle service professional.
- Accessories not approved by the manufacturer must not be used.
- Do not store the trailer in direct sunlight and/or high heat, color fading of fabric can occur.
- Do not store trailer in a humid environment, this can cause mold in the fabric and corrode metal parts.
- Check the trailer for damage each time before using. Do not use if it is damaged.
- Check that all fasteners and connections are tight and secure.

- Over inflation of tires may result in failure and risk serious injury.
- Do not exceed maximum pressure as shown on tires.
- If necessary inflate the tires to within the range shown on the tire sidewall.
- Always use a foot or hand pump to inflate the tires. The safety flag and reflectors must be in place.
- Do not use the trailer without the safety flag and reflector in place
- Do not carry cargo and your pet together at the same time.
- Do not pull or push the trailer with a motorized vehicle.
- Always comply with local traffic and vehicle regulations.
- Be sure the brakes work properly. Braking distance is increased when pulling a trailer. Avoid braking suddenly.
- Always maintain a safe speed. The trailer is not intended for use at high speeds. DO NOT exceed 10 MPH.
- The trailer requires a wide turning radius. Do not turn sharply. Sharp changes in direction may cause a tip over.
- Allow extra clearance for the trailer when near curbs, parked cars, and other obstacles.
- Inspect the trailer and bicycle before each use.
- Make sure the Tow Bar Safety Strap is attached and secured before each use.
- Do not ride in stormy or inclement weather or when conditions make bicycling unsafe.

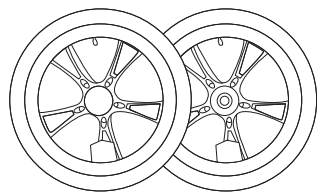
## Cleaning the Trailer

- Use only mild soap and water. Towel dry. Do not machine wash. Do not use harsh chemicals or cleaning solvents.

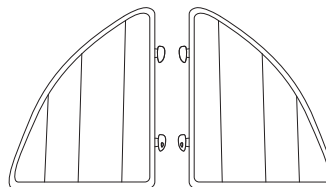
## 2 Parts and Features



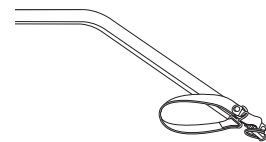
Frame & Canopy



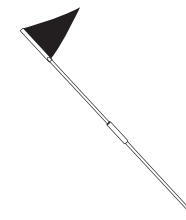
Wheels (2)



Wheel Safety Guards (2)



Tow Bar



Safety Flag

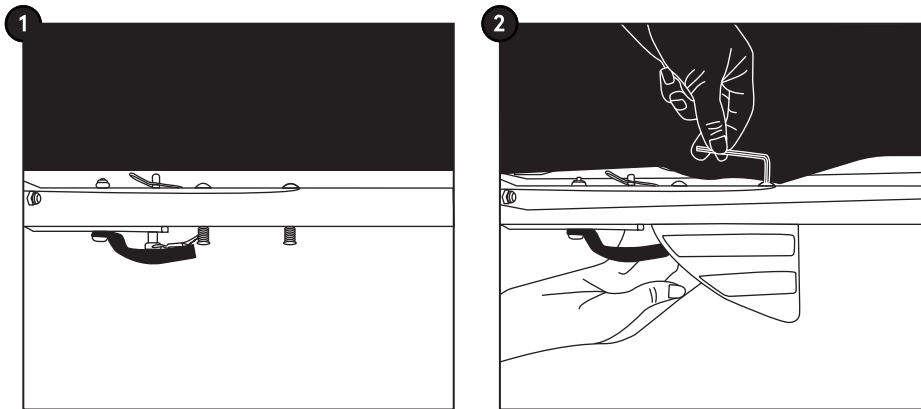
# 3 Assembly

## ⚠ WARNING

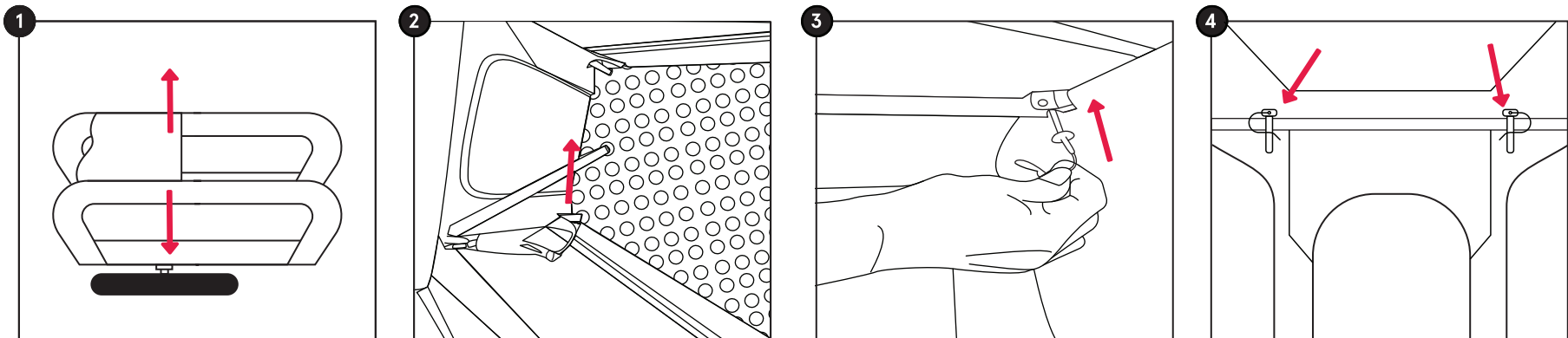
Read and understand the manual before assembling.

- 1 First, insert the bolts (2 for each side) through the frame until flush (**See #1**). Then, determine the left and right side wheel guards – platform faces up (**See #2**). Tighten with hex wrench (included). Repeat for the opposite side.

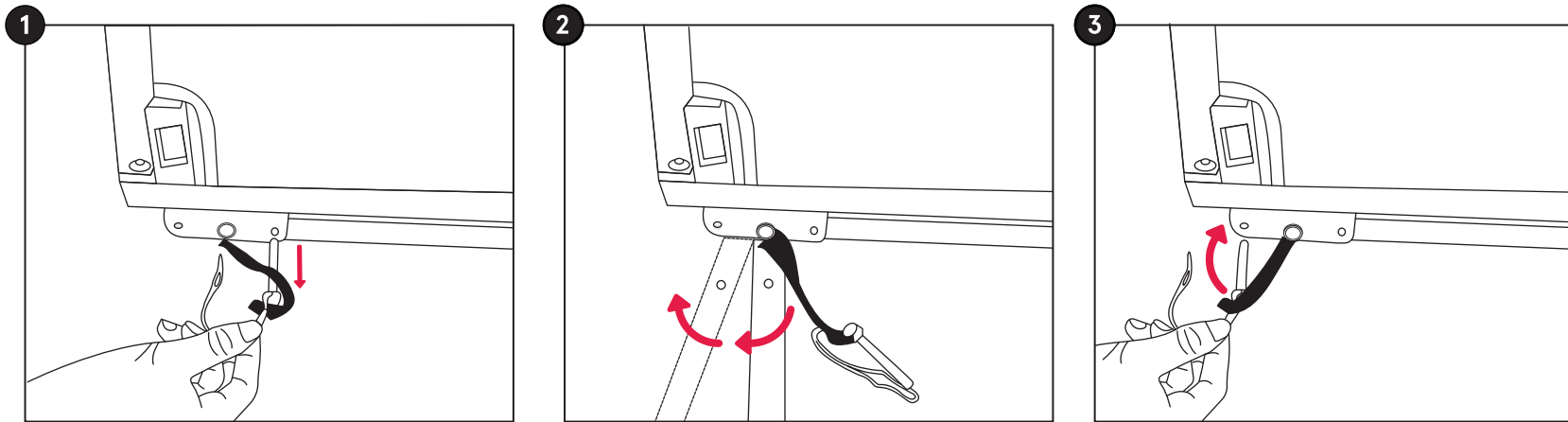
**NOTE** - The supplied nuts have a Nylon threadlocker to prevent them from vibrating loose. When installing the nuts onto the supplied bolts they will thread on easily until the bolt reaches the outer end of the nut. After that you will feel some resistance as the nut is threaded onto the remainder of the bolt. Make sure nuts are fully threaded onto bolts.



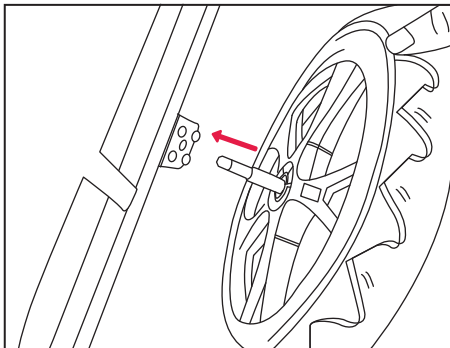
- 2 Unfold the frame, lift both sides to upright position (**See #1**). Assemble these two tubes on the right positions, and lock by hooks (**See #2, #3, and #4**). Pull the tubes and make sure they are locked.



- 3** Remove the locking pin for the tow bar bracket (**See #1**). Then rotate the tow bar until it rests on the front end of the frame (**See #2**). Next, insert the locking pin through both the bracket and tow bar. Check that it is securely in place (**See #3**).



- 4** Insert the axle of the wheel into the wheel bracket hole. Push the wheel into the bracket until you hear the axle click into place. Pull the wheel to check it is locked in place.

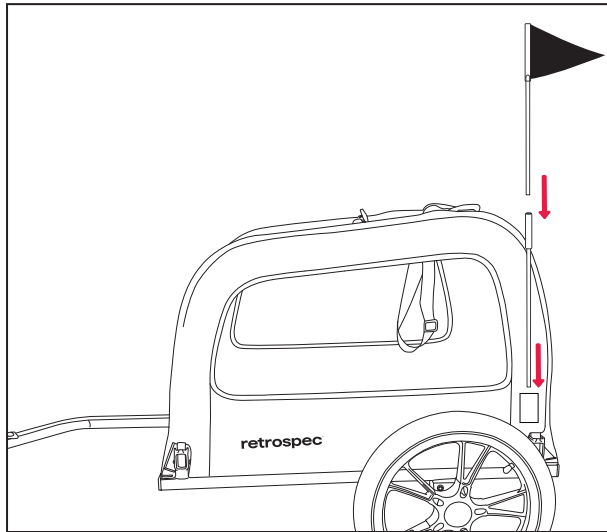


**⚠ WARNING**

Always check that the wheels are securely locked in place before use.  
Wheels that are not securely locked in place may fall-off the trailer and cause serious injury or death.

**IMPORTANT - The safety flag is an important safety feature that warns others a trailer is present and on the bicycle. Always have the safety flag on the trailer when in use.**

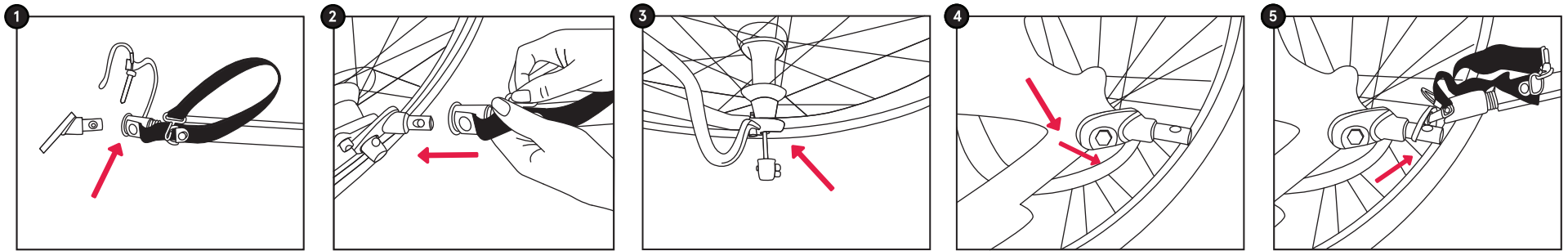
- 5** Assemble the flag pole sections by sliding the top half of the pole into the opening of the bottom half of the pole. Then, insert the flag pole into the sleeve located at the rear corner of the trailer.



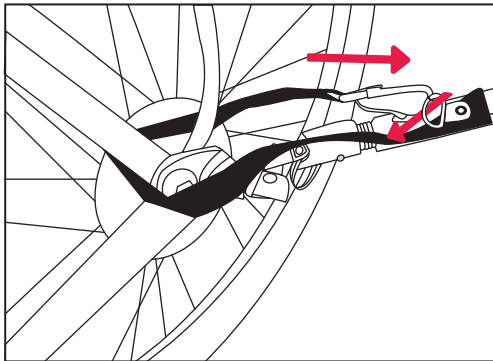
## 4 Trailer Attachment

**IMPORTANT - Make sure the connector and tow bar are in-line, this ensures the trailer tracks straight with little resistance.**

- 1 Remove the tow bar connector (**See #1**). Then, remove the Quick-Release skewer or Hub Axle Nut from the left (non-drivetrain) side of the bicycle (**See #2**). Next, fix the connector to the rear axle of the bicycle, and keep it straight to connect the tow bar (**See #3**). For Hub Axle Nut see **#4**. Lastly, Connect the tow bar of the trailer to the Connector (now mounted to the hub axle) (**See #5**).



- 2 Wrap the tow bar safety strap around the bicycle frame. Clip the safety strap to the tow bar ring on the end of the tow bar. Be sure the tow bar safety strap is securely attached before using the trailer.



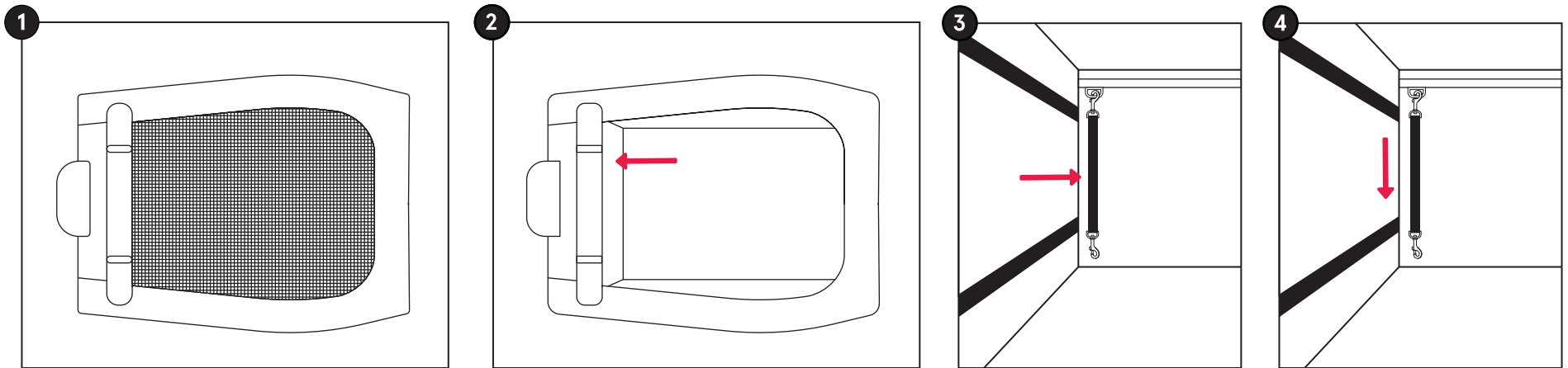
### **⚠ WARNING**

Always attach the tow bar safety strap to the bicycle when using the trailer. Using the trailer without the safety strap attached to the bicycle may result in serious injury or death.

## ⚠ WARNING

Always properly secure your pet to the trailer with the Safety Strap to prevent your pet from falling or sliding out. Never leave your pet unattended while in the trailer, or otherwise.

- 3** With the rear door completely unzipped and open, attach the trailer's Safety Strap to your pet's collar/harness (**See #1, and #2**). Guide your pet through the rear door. Make sure grip-mat is properly positioned and flat. Zip rear door completely closed. With your pet securely inside, you can choose to roll-back the rain cover, mesh bug screen, or both, depending upon riding conditions. (**See #3, and #4**).



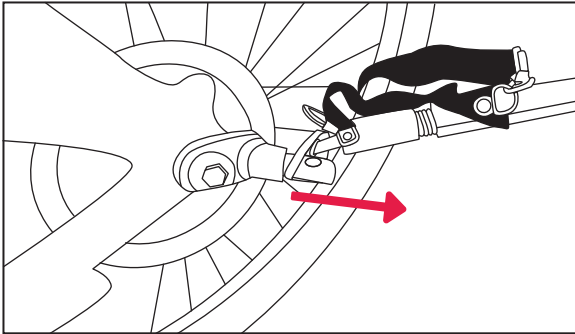
## User Tips

- Ride the trailer first without your pet to familiarize yourself with the increased turning radius and increased braking distance that will now be required of your bike & trailer.
- Familiarize yourself and your pet with the trailer by doing short rides in low/no traffic areas.
- If your pet appears agitated or overly excited, adding a pet bed to the inside may reduce your pet's stress.
- Outside pooch-pouch works great for storing treats away from pets while riding.
- On longer rides, periodically check on your pet to make sure they are comfortable. Temperatures inside the trailer can fluctuate significantly depending upon weather.
- Grip-Mat can be easily removed for cleaning.



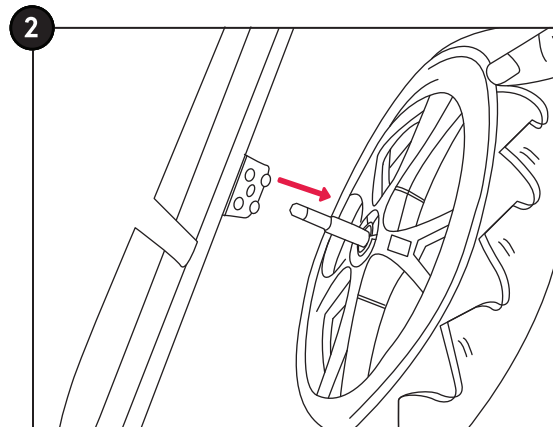
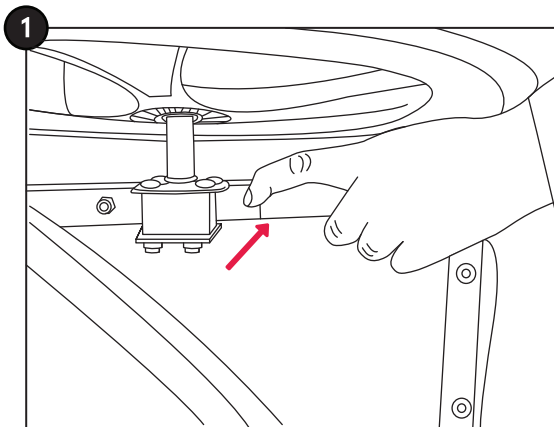
## 5 Disassembly and Storage

- 1 To remove the tow bar from bicycle, unfasten the clip on the safety strap from the tow bar ring, and unwrap it from the bicycle frame. Then, clip the strap back on the D-ring of the tow bar. Remove the locking pin from the tow bar connector, then remove the tow bar from the connector.

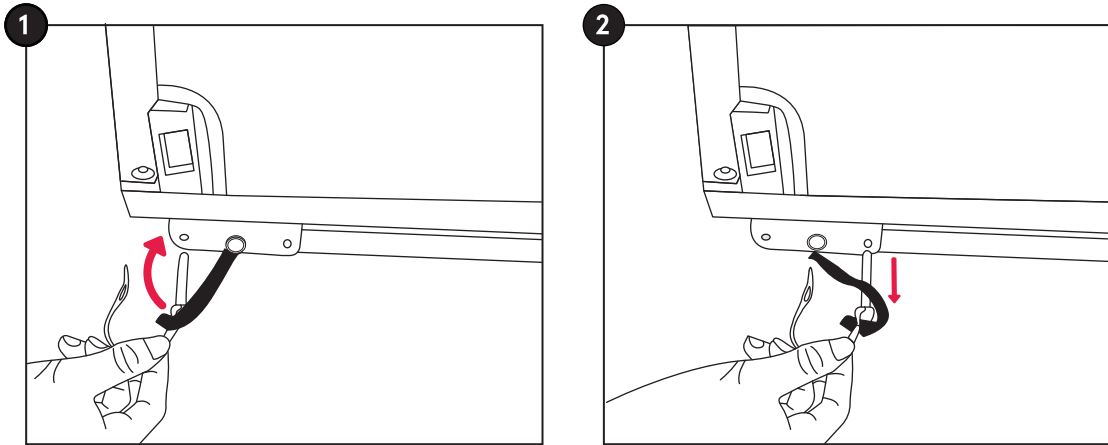


- 2 Next, remove the flag and separate the flag pole sections. Remove the flag from the fabric.

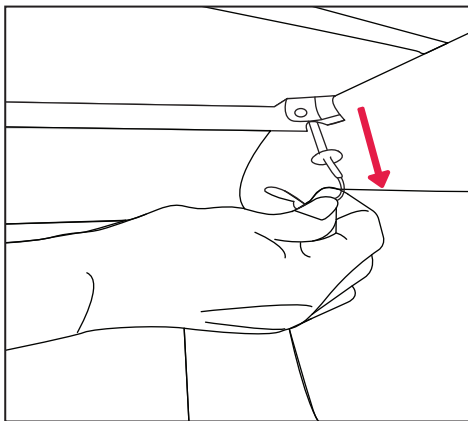
- 3 To remove the wheel, pull the wheel release lever out and hold (**See #1**). Remove the wheel, and release the lever (**See #2**).



- 4 Fold the tow bar by removing the locking pin from the tow bar bracket. (**See #1**). Then, rotate the tow bar back 180 degrees into the trailer frame bottom. Lastly, secure the tow bar with the locking pin. Make sure the safety strap is snapped into place (**See #2**).



- 5 To fold the trailer frame, first release both crossbars from their perches by lifting quickly. Rotate and fold the crossbars to the side walls. Fold the left and right side walls down, one over the other.



## 6 Warranty

Retrospec warrants this product to be free of defective materials and workmanship for 1 year from the date of original purchase.