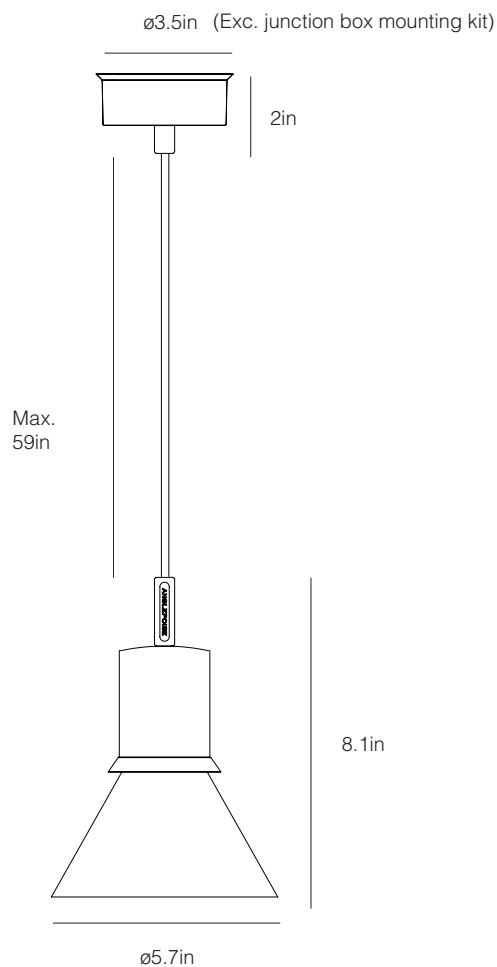


Type 80™ Pendant

ANGLEPOISE®

Type 80™ Collection | Technical Sheet

Launched In 2019 | Designed by Sir Kenneth Grange



Product

Pendant - Matte Black
Pendant - Grey Mist
Pendant - Pistachio Green
Pendant - Rose Pink

Description

Distinguished by a striking, graphic profile, Type 80's design is further enhanced by an attractive 'halo' light-escape feature in the shade. Every detail has been carefully considered and precision engineered to deliver streamlined style, ease of use and consistency across the collection.

Materials

- Matt paint and anodised aluminum finish
- Aluminum shade
- Anodized machined collars
- Drop forged aluminum ceiling rose
- Color-matched junction box mounting kit

Dimensions

- Shade diameter: 5.7in
- Shade height: 8.1in
- Ceiling rose diameter 3.5in
- Cable length: 59in
- Lamp packaging: 7in x 7in x 12.2in (L x W x H)
- Lamp packaged weight: 2.9 lbs
- Junction box mounting kit: depth 0.3in, diameter 5.8in

Electrical

- Voltage 110/120V, 50/60Hz
- E26 lamp holder
- cUL certified
- Maximum permitted bulb: 10W LED
- Supplied with a compatible LED E26 bulb
 - Non-dimmable
 - Colour Temperature: 2700K
 - CRI (Ra): 80



Ceiling Rose with
Adapter Plate



Bulb
included