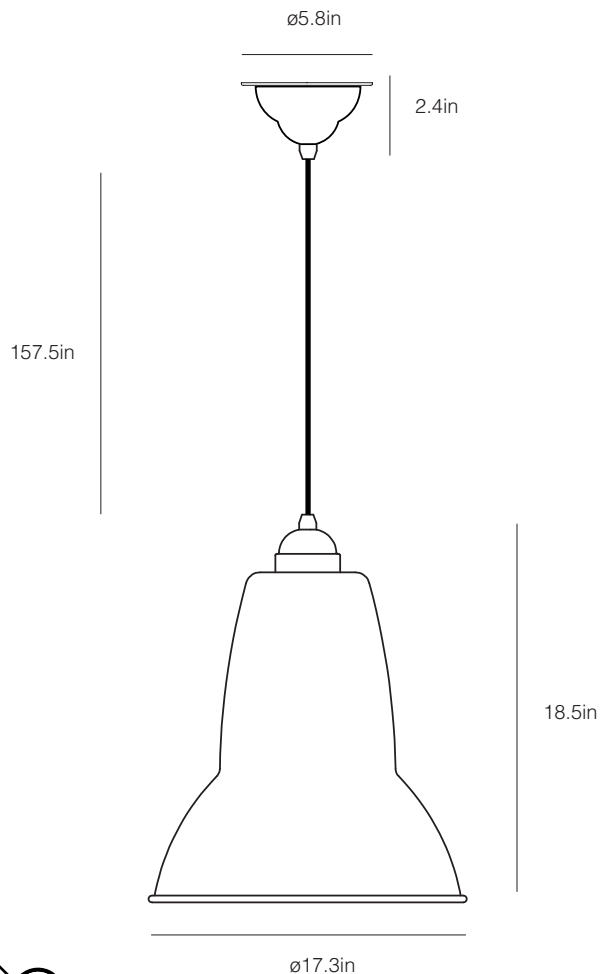


Original 1227™ Giant Pendant

ANGLEPOISE®

Original 1227™ Giant Collection | Technical Sheet

Launched In 2005 | Designed by George Carwardine



Product	Closest RAL Reference
---------	-----------------------

Gloss Finish

Pendant - Jet Black	9017
Pendant - Alpine White	9016
Pendant - Citrus Yellow	1018
Pendant - Crimson Red	3001
Pendant - Marine Blue	5001
Pendant - Slate Grey	7012

Satin Finish

Pendant - Jet Black	9017
---------------------	------

Pendant - Custom Color or Finish

Description

The Original 1227™ Giant pendant is a lamp that demands to be noticed. Positioned over a dining or meeting room table, a kitchen worktop, or anywhere you please, its larger-than-life scale and stunning collection of colors will inject playful, individual style into any interior space.

Materials

- Gloss or satin powder coat finishes
- Aluminum shade
- Chrome plated fittings
- Bright chrome plated ceiling rose
- Chrome Junction Box Mounting Kit

Dimensions

- Shade diameter: 17.3in
- Shade height: 18.5in
- Cable length: 157.5in
- Junction box mounting kit: Depth 0.26in, Diameter 5.8in
- Pendant Packaging (L x W x H): 18.9in x 19.3in x 25.65in
- Pendant Package Weight: 8.25lbs

Electrical

- Voltage: 110/120V, 50/60Hz
- SVT cable
- E26 lamp holder
- Maximum permitted bulb: E26 60W Halogen
- Bulb not included
- cUL certified



Bulb not included