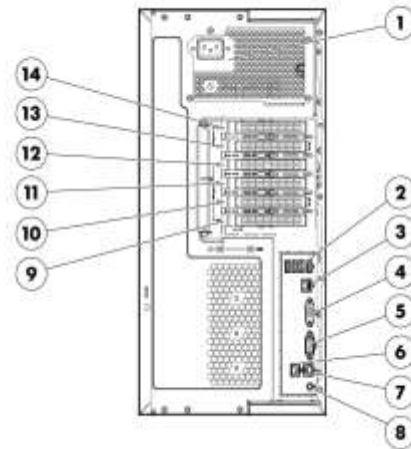
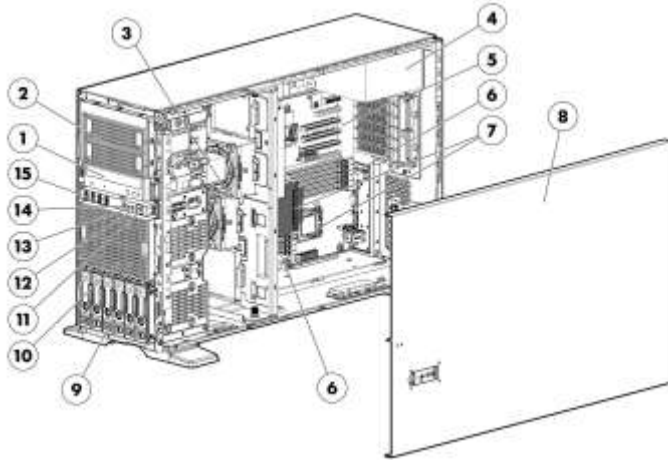


### Overview

### HP ProLiant ML350e Generation 8 (Gen8)

The HP ProLiant ML350e Gen8 is a dual processor tower platform, which is built on the latest Intel® Xeon® E5-2400 processors to create unique system architecture. This unique architecture as well as flexible deployment options allow the businesses to scale as needed so they can optimize their IT spending dollars. The HP ProLiant ML350e Gen8 delivers the industry's most powerful embedded management technology with HP integrated Lights-Out 4 (iLO4), which allows businesses to manage the servers anytime and from anywhere.



#### Front View:

1. SATA DVD ROM or DVD RW optical drive
2. Two (2) removable media bays
3. Two (2) standard system fans
4. One (1) standard 460W Non-Hot Plug Power Supply
5. Six (6) PCIe expansion slots (4 PCIe 3.0 and 2 PCIe 2.0)
6. 12 total DIMM slots: DDR3 Registered (RDIMM) or Unbuffered (UDIMM) memory (6 DIMM slots per CPU)
7. Processor and processor heatsink
8. Quick removal access panel
9. Standard drive cage (4LFF or 6LFF or 8SFF)
10. Optional drive cage (6LFF or 8SFF)
11. Power On/Standby button and system power LED button
12. NIC status LED
13. Health LED
14. UID LED button
15. Four (4) USB connectors

#### Rear View:

1. One (1) standard 460W Non-Hot Plug Power supply
2. Four (4) USB connectors
3. iLO connector
4. Video connector
5. Serial connector
6. NIC connector 2
7. NIC connector 1
8. UID LED button
9. PCIe slot 1 (for processor 1)
10. PCIe slot 2 (for processor 1)
11. PCIe slot 3 (for processor 2)
12. PCIe slot 4 (for processor 2)
13. PCIe slot 5 (for processor 1)
14. PCIe slot 6 (for processor 1)

### What's New

- Support for 12G SAS High Endurance Hot Plug SFF (2.5-inch) Enterprise Performance and Enterprise Mainstream Solid State Drives

### Standard Features

**NOTE:** For the Standard Features shipped in the "Factory Integrated Models", please see the "Configuration Information - Factory Integrated Models" section.

#### Processor

One of the following depending on Model

#### Eight-Core Processors

**NOTE:** All support up to 1600MHz DDR3 memory speeds.

Intel® Xeon® E5-2470 (2.3GHz/8-core/95W/20MB) Processor

Intel® Xeon® E5-2450 (2.1GHz/8-core/95W/20MB) Processor

Intel® Xeon® E5-2450L (1.8GHz/8-core/70W/20MB) Processor

#### Six-Core Processors

**NOTE:** All support up to 1333MHz DDR3 memory speeds.

Intel® Xeon® E5-2440 (2.4GHz/6-core/95W/15MB) Processor

Intel® Xeon® E5-2430 (2.2GHz/6-core/95W/15MB) Processor

Intel® Xeon® E5-2430L (2.0GHz/6-core/60W/15MB) Processor

Intel® Xeon® E5-2420 (1.9GHz/6-core/95W/15MB) Processor

#### Quad-Core Processors

**NOTE:** All support up to 1066MHz DDR3 memory speeds.

Intel® Xeon® E5-2407 (2.2GHz/4-core/80W/10MB) Processor

Intel® Xeon® E5-2403 (1.8GHz/4-core/80W/10MB) Processor

**NOTE:** DDR3 speed is the maximum memory speed of the processor. Actual memory speed may depend on the quantity and type of DIMMs installed.

**NOTE:** Up to 2 processors supported. Mixing different processor models is not supported.

**NOTE:** For the Intel® C600 Chipset E5-2400 Series, the letter preceding the model number indicates the Product Line (E3, E5, E7); 2400x v#, 2 = number of CPUs in a Node, 4 is socket/segment designation, 00 = Processor SKU, x = L for low power SKUs and v# (not yet designated) = version number.

#### Cache Memory

One of the following depending on Model

20MB (1 x 20MB) Level 3

**NOTE:** For Eight-core processors.

15MB (1 x 15MB) Level 3

**NOTE:** For Six-core processors.

10MB (1 x 10MB) Level 3

**NOTE:** For Quad-core processors.

#### Chipset

Intel® C600 Chipset

Intel® E5-2400 Processor Family

**NOTE:** For more information regarding Intel® chipsets, please see the following URL:

<http://www.intel.com/products/server/chipsets/>.

#### Upgradeability

Upgradeable to two processors

**NOTE:** Total 8, 12 or 16 cores

Up to 12 DIMM slots available for higher memory capacity

Up to 24 SFF hard drives or 18 LFF hard drives for expanded storage

4 PCIe 3.0 and 2 PCIe 2.0 I/O slots for additional communications and storage expansion

Redundant Power Supplies (92% and 94% efficiency)

Tower to rack conversion

Optical drive bays (up to 2)

Security bezel

### Standard Features

**On System Management Chipset** HP iLO (Firmware: HP iLO4)  
**NOTE:** For more information, visit: <http://www.hp.com/go/ilo>

**Memory Protection** Advanced ECC  
 Online Spare  
 Lock-step mode

**Memory**  
 One of the following depending on model

Type	HP SmartMemory DDR3 Registered (RDIMM) or Unbuffered (UDIMM)
DIMM Slots Available	12 DIMM slots (6 DIMM slots per CPU)
Standard (Entry Models)	2GB (1 x 2GB) Unbuffered DIMMs PC3L-10600E
Standard (Base Models)	4GB (1 x 4GB) Unbuffered DIMMs PC3L-10600E
Standard (Performance Models)	8GB (2 x 4GB) Unbuffered DIMMs PC3L-10600E
Maximum (RDIMM)	192 GB (12 x 16 GB) RDIMMM
Maximum (UDIMM)	96 GB (12 x 8 GB) UDIMM

**NOTE:** Redundant Enablement Kit (part # 664046-B21) is required when Registered DIMM is purchased.  
**NOTE:** HP memory from previous generation servers are not fully compatible with the HP ProLiant ML350e Gen8 Server.

**NOTE:** To realize the performance memory capabilities listed in this document, HP SmartMemory is required. For additional information, please see the HP SmartMemory QuickSpecs at: [http://h18000.www1.hp.com/products/quickspecs/14225\\_na/14225\\_na.html](http://h18000.www1.hp.com/products/quickspecs/14225_na/14225_na.html)

**NOTE:** If one processor is installed, only 6 DIMM slots are available. When populating with two processors 12 DIMM slots are available.

**NOTE:** Depending on the memory configuration and processor model, the memory speed may run up to 1600MHz, 1333MHz, or 1066MHz. Please see Memory Population Table or the Online Memory Configuration Tool at: [www.hp.com/go/ddr3memory-configurator](http://www.hp.com/go/ddr3memory-configurator).

**Network Controller** HP Ethernet 1Gb 2-port 361i Adapter

### Expansion Slots

Expansion Slot #	Technology	Bus Width	Connector Width	Bus Number	Form Factor	Notes
6	PCIe 2.0	x1	X4	0	Half Length/Full Height	Activated when installed with Processor 1
5	PCIe 2.0	x4	x8	0	Full-length/Full Height	Activated when installed with Processor 1
4	PCIe 3.0	X8	X16	32	Full Length/Full Height	Activated when installed with Processor 2
3	PCIe 3.0	x16	x16	32	Full Length/Full Height	Activated when installed with Processor 2
2	PCIe 3.0	X16	X16	0	Full	Activated

### Standard Features

1	PCIe 3.0	X4	X8	0	Length/Full Height	when installed with Processor 1
					Full Length/Full Height	Activated when installed with Processor 1

**NOTE:** Bus number - Default bus assignment (in decimal). Inserting cards with PCI bridges may alter the actual bus assignment number.

#### HP Server ROM

HP ROM (Read Only Memory) is now digitally signed using HP's Corporate Signing Service. This signature is verified before the flash process starts, reducing accidental programming and preventing malicious efforts to corrupt system ROM.

HP ROM provides for essential initialization and validation of hardware components before control is passed to the customer-installed operating system. The ROM also provides the capability of booting from various fixed media (HDD, CD-ROM) and removable media (USB), to continue operation to the operating system.

HP ROM performs very early configuration of the video controller, to allow monitoring of initialization progress via an attached monitor. If configuration or hardware errors are discovered during this early phase of hardware initialization, suitable messages are now displayed on the connected monitor. Additionally, these configuration or hardware errors are logged to the Integrated Management Log (IML) to assist in diagnosis.

HP's ProLiant ROM is used to configure the following:

- Processor and chipset status registers
- System memory, memory map, and memory initialization
- System hardware configuration (Integrated PCI devices and optional PCIe cards).
- Customer-specific BIOS configuration (using the HP ROM-Based Setup Utility (RBSU)).

**NOTE:** For further information, please refer to HP's RBSU (ROM based setup utility) user guide: [www.hp.com/support/rbsu](http://www.hp.com/support/rbsu).

#### Storage Controller One of the following depending on model

Entry Models	HP Dynamic Smart Array B120i/Zero Memory SATA Controller (RAID 0,1,10)
Base Models	HP Dynamic Smart Array B120i/512MB FBWC SATA Controller (RAID 0,1,5,10)
Performance Models	HP Smart Array P420/1GB FBWC Controller (RAID 0/1/1+0/5/5+0/6/6+0)

#### Internal Storage Devices

Optical Drives	HP Half-Height SATA DVD-ROM Optical Drive
Hard Drives	None ship standard
Hard Drive Bays	Up to 24 SFF hard drive bays or 18 LFF hard drive bays

**NOTE:** All Pre-configured Models come populated with some hard drive blanks installed. Should the customer need additional hard drive blanks, they can order more using either P/N 666987-B21: HP SFF Gen8 Hard Drive Blank Kit or P/N 666986-B21: HP LFF Gen8 Hard Drive Blank Kit. These part numbers for single HDD blanks below are also provided should the customer require replacement HDD blanks for their server.

#### Maximum Internal Storage

Hot Plug LFF SAS	54TB	18 x 3TB
Hot Plug LFF SATA	54TB	18 x 3TB

### Standard Features

One of the following depending on model

Hot Plug SFF SAS	28.8TB	24 x 1.2TB
Hot Plug SFF SATA	24TB	24 x 1TB
Non-Hot Plug LFF SATA	12TB	4 x 3TB
Hot Plug SFF SAS SSD	2.4TB	24 x 100GB
Hot Plug LFF SATA SSD	1.8TB	18 x 100GB

### Interfaces

Serial	1
Video	1 (rear)
Network RJ-45 (Ethernet)	3 (1 dedicated for HP Integrated Lights-Out)
HP iLO Remote Management Network Port	1 Gb Dedicated
SD slot	1 (internal) <b>NOTE:</b> The SD slot is not a hot-pluggable device. Customers should not attempt to plug an SD card into the SD slot while the server is powered.
USB	10 (4 front, 4 rear, 2 internal)

### Industry Standard Compliance

ACPI 2.0b Compliant  
 PCIe 3.0 Compliant  
 PXE Support  
 WOL Support  
 Novell Certified  
 IPMI 2.0, SMASH CLP, DCMI 1.0 compliant  
 Microsoft® Logo certifications  
 USB 2.0 Support  
 SMBIOS 2.7.1

### Server Power Cords

ProLiant ML servers in a rack-mount configuration no longer ship standard with NEMA power cords that allow connection to 110V US wall outlets in a home or office. These servers are primarily connected to PDU's in data center racks so they now ship standard with only a PDU power cord (416151-B21). If a user wishes to power a ProLiant ML rack-mount server using a 110V receptacle (NEMA-15), the NEMA power cord must be ordered separately. The 12' cord (AF556A) or 6' cord (187335-001) can be purchased online at HP.COM. In a tower configuration, the servers ship standard with a 6' NEMA power cord. If customers require a local power cord, they can check the power cord matrix for the appropriate sku. Please see the following power cord matrix: <http://www.hp.com/go/powercordmatrix>.

### Power Specifications

To review typical system power ratings use the HP Power Advisor which is available via the online tool located at URL: [www.hp.com/go/proliant-energy-efficient](http://www.hp.com/go/proliant-energy-efficient) or [www.hp.com/go/hppoweradvisor](http://www.hp.com/go/hppoweradvisor).

**NOTE:** Power Specification and Technical Content for supported power supplies can be found at: [http://h18000.www1.hp.com/products/quickspecs/14209\\_na/14209\\_na.html](http://h18000.www1.hp.com/products/quickspecs/14209_na/14209_na.html)

### Common Slot Power Supplies

**NOTE:** Mixing of power supplies in the same server is not supported. All power supplies inside a server must be exactly the same model. Mixing Gold, Platinum, and Platinum Plus certified power supplies is not supported.

HP's Common Slot (CS) power supplies allow for commonality of power supplies across a wide range of ProLiant and Integrity servers, as well as HP Storage solutions, and are designed to provide the highest power supply efficiency without degrading system performance. HP CS power supplies are tested by

### Standard Features

the Electric Power Research Institute (EPRI) and certified through the ECOS 80 Plus power supply program. HP CS power supply options provide efficiency ratings of up to 94% (80 Plus Platinum) and are available in power output options - 460W, 750W , and 1200W - allowing the customer to "right-size" a power supply for their specific server configuration. All HP Common Slot power sources are UL, CE Mark Compliant, hot-plug and support redundant configurations.

**NOTE:** Mixing of power supplies in the same server is not supported. All power supplies must be of the same output and efficiency rating. If non-matched power supplies are inserted you will get errors and operation will fail.

HP CS Platinum power supplies are required when enabling HP's Intelligent Power Discovery (IPD) solution. IPD is the first technology to create an automated, energy-aware network between IT systems and facilities. This allows your company to reclaim millions of dollars in wasted power capacity and downtime costs across data centers. For more information on HP's IPD solution, go to [www.hp.com/go/ipd](http://www.hp.com/go/ipd).

It is highly recommended that you use the HP Power Advisor in defining the "Right-Size" power supply for your needs. HP Power Advisor can be accessed at: [www.hp.com/go/hppoweradvisor](http://www.hp.com/go/hppoweradvisor).

**NOTE:** The 80 PLUS program is a unique forum that unites electric utilities, the computer industry, and consumers in an effort to bring energy efficient technology solutions to the marketplace. 80 Plus independently tests power supply efficiency and publicly posts the results on [80Plus.org](http://80Plus.org).

Redundant Power: Optional (1 + 1 redundant) power supplies can be purchased through power supply option kits (see Power Supplies for part numbers).

**NOTE:** Power Specification and Technical Content for supported power supplies can be found at: [http://h18000.www1.hp.com/products/quickspecs/14209\\_na/14209\\_na.html](http://h18000.www1.hp.com/products/quickspecs/14209_na/14209_na.html)

---

#### System Fans

Two (2) Non-hot plug, non-redundant fans ship standard (support up to 4 fans).

**NOTE:** Redundant Enablement Kit (part # 664046-B21) is required when redundant fans are needed.

---

#### Operating Systems and Virtualization Software Support for ProLiant Servers

[Microsoft Windows Server](#)

[Red Hat Enterprise Linux \(RHEL\)](#)

[SUSE Linux Enterprise Server \(SLES\)](#)

[VMware](#)

**NOTE:** For more information on HP's Certified and Supported ProLiant Servers for OS and Virtualization Software and latest listing of software drivers available for your server, please visit our Support Matrix at: <http://www.hp.com/go/ossupport> and our driver download page <http://www.hp.com/support/ML350eGen8>

---

#### Graphics

Integrated Matrox G200 video standard

- 1280 x 1024 (32 bpp)
- 1920 x 1200 (16 bpp)

HP iLO 4 On System Management Memory

- 16 MB Flash
- 256 MB DDR 3 with ECC (112 MB after ECC and video)

---

#### Form Factor

Tower 5U

### Standard Features

Rackable with the purchase of tower to rack conversion tray kit

<b>On System Management</b>	HP iLO Management Engine	<p>HP iLO Management Engine is a comprehensive set of embedded management features supporting the complete lifecycle of the server, from initial deployment, through ongoing management, to service alerting and remote support. HP iLO Management Engine comes standard on all HP ProLiant Gen8 servers. The HP iLO Management Engine portfolio includes:</p> <ul style="list-style-type: none"><li>• <b>HP iLO:</b> The HP iLO (Integrated Lights-Out) management processor is the core foundation for the HP iLO Management Engine</li><li>• <b>HP Agentless Management:</b> Provides built in server health monitoring and alerting capability without OS agents, that starts working the moment a power cord and an Ethernet cable are connected.</li><li>• <b>HP Active Health System:</b> Always on, continuous monitoring for increased stability and shorter downtimes; 100% configuration history; Health and service alerts and easy export and upload to Service and Support.</li><li>• <b>HP Intelligent Provisioning:</b> Lets customers provision and configure a single server without any separate media. No more SmartStart CDs or Smart Update Firmware DVD are needed.<ul style="list-style-type: none"><li>○ To start Intelligent Provisioning:</li><li>○ Press the F10 key during the ProLiant Gen8 server boot process (also known as power on self test or POST).</li><li>○ Please go to the Intelligent Provisioning website at <a href="http://www.hp.com/go/intelligentprovisioning">www.hp.com/go/intelligentprovisioning</a> for additional information and to view usage videos.</li><li>○ Use the Service Pack for ProLiant (SPP) at <a href="http://www.hp.com/go/spp">www.hp.com/go/spp</a> to get firmware and software updates.</li></ul></li><li>• <b>HP iLO Mobile App:</b> Enables the ability to access, deploy, and manage your server anytime from anywhere from select smartphones and mobile devices. For additional information please visit: <a href="http://www.hp.com/go/ilo/mobileapp">www.hp.com/go/ilo/mobileapp</a></li></ul>
-----------------------------	--------------------------	--

**NOTE:** For more information, visit: <http://www.hp.com/go/ilo> or HP iLO Management Engine technologies whitepaper

<b>HP Insight Management</b>	HP Service Pack for ProLiant	<p>HP Service Pack for ProLiant (SPP) and HP Smart Update Manager (HP SUM) provide a comprehensive approach to firmware and system software maintenance. Together they provide better operating stability and ensure maximum uptime. The SPP will be updated at a predictable cadence, typically coinciding with new HP server hardware launches. By enabling firmware to be updated online and integrating firmware and system software updates in one operation, HP SUM and the SPP offer faster updates of individual servers and dramatically faster updates of entire BladeSystem enclosures. Further improving system uptime and stability is the fact that HP provides 12 months of support for each Service Pack for ProLiant release.</p>
------------------------------	------------------------------	--

The user experience around HP SUM and the SPP has been improved in several ways, starting with the web download. A single web page provides access to a single download containing both the latest version of HP SUM and the latest SPP. Optional smaller subsets with only specific types of servers or specific operating systems are offered to save on download

### Standard Features

time. The HP SUM application provides a straightforward, intuitive user interface that guides the user through the steps of discovery, analyses and update, providing comprehensive information on available updates, criticality and interdependencies. This information is also available in reports. By providing the option of multiple local or shared repositories which can be easily updated from hp.com, HP SUM provides the tools to optimize stability and consistency throughout the company. While HP SUM and the SPP recommend the combinations of firmware and system software that HP has found to be the best practice, the application gives customers the flexibility to set their own specific baseline.

The Service Pack for ProLiant has been rigorously tested with specific attention for interaction between firmware, drivers and agents both within the server as well as in interaction with the BladeSystem enclosure components (Onboard Administrator and Virtual Connect). This testing ensures the highest quality as well as providing the input for HP SUM to deploy updates taking into account all interdependencies, when determining the correct updates and order of update deployment.

**NOTE:** The Service Pack for ProLiant (which includes HP SUM) can be downloaded from [www.hp.com/go/spp/download](http://www.hp.com/go/spp/download). More information can be found: <http://www.hp.com/go/SmartUpdate>, [www.hp.com/go/spp](http://www.hp.com/go/spp) and <http://www.hp.com/go/hpsum>

---

#### Security

- Power-on password
- Setup password
- Serial interface control
- Power switch security
- Administrator's password

---

#### Warranty

This product is covered by a global limited warranty and supported by HP Services and a worldwide network of HP Authorized Channel Partners resellers. Hardware diagnostic support and repair is available for three years from date of purchase. Support for software and initial setup is available for 90 days from date of purchase. Enhancements to warranty services are available through HP Care Pack services or customized service agreements. Hard drives have either a one year or three year warranty; refer to the specific hard drive QuickSpecs for details.

**NOTE:** Server Warranty includes 3-Year Parts, 1-Year Labor, 1-Year Onsite support with next business day response. Warranty repairs may be accomplished through the use of Customer Self Repair (CSR) parts. These parts fall into two categories: 1) Mandatory CSR parts are designed for easy replacement. A travel and labor charge will result when customers decline to replace a Mandatory CSR part; 2) Optional CSR parts are also designed for easy replacement but may involve added complexity. Customers may choose to have HP replace Optional CSR parts at no charge. Additional information regarding worldwide limited warranty and technical support is available at: <http://h18004.www1.hp.com/products/servers/platforms/warranty/index.html>



### Optional Features

<b>HP Insight Management</b>	HP Insight Control	<p>HP Insight Control, a product option, delivers essential infrastructure management that can help save time and money by making it easy to deploy, migrate, monitor, remote control, and optimize your IT infrastructure through a single, simple management console. HP Insight Control also supports Location and Power Discovery Services to automate many configuration, asset tracking, and power management tasks to speed implementation and prevent downtime. For more information, see <a href="http://www.hp.com/go/insightcontrol">http://www.hp.com/go/insightcontrol</a>.</p>
	HP iLO Essentials	<p>HP Insight Control includes one year of 24 x 7 HP Software Technical Support and Update Service ensuring rapid access to HP support staff and proactive delivery of software updates. For more information about this service, see: <a href="http://www.hp.com/services/insight">http://www.hp.com/services/insight</a>.</p> <p>HP iLO Essentials license ideal for small and medium business customers. The specially created HP iLO Essentials (a subset of iLO Advanced functionality) saves SMB customers time and money, by ease of remote server set up through the interactive virtual media, lowering operational costs with remote access via the Integrated Remote Console, and faster time to resolution with email-based proactive notifications. With this newly designed HP iLO Essentials license SMB customers now have the option of a server management package solely design and priced just right for their IT environments. HP iLO Essentials is available on all HP ProLiant Gen8 e-series making this an ideal solution for small business owners. For more information, see: <a href="http://www.hp.com/go/iLO/essentials">http://www.hp.com/go/iLO/essentials</a></p>
	HP iLO Advanced	<p>HP Integrated Lights-Out Advanced License a product option, providing smart remote server management without compromise. iLO Advanced unlocks the full set of remote administration functionality for all HP ProLiant servers by activating the full Virtual Keyboard Video and Mouse remote console, multi-user collaboration, console record and replay, GUI-based and scripted virtual media and virtual folders, and enhanced security and power management functionality. For more information, see: <a href="http://www.hp.com/go/iLOADvanced">http://www.hp.com/go/iLOADvanced</a></p>
	HP Matrix Operating Environment	<p>The HP Matrix Operating Environment (Matrix OE) for ProLiant and Integrity servers is an integrated command center that helps you instantly adjust to dynamic business demands. This advanced infrastructure management software lets you reduce the cost of common data center tasks by up to 40 percent while keeping pace with your changing business.</p>

The HP Matrix OE includes the automated provisioning, optimization, and recovery management capabilities for HP CloudSystem Matrix, the ideal platform for private cloud and Infrastructure as a Service (IaaS).

**NOTE:** For more information, visit: <http://www.hp.com/go/matrixoe>

<b>High Performance Clusters</b>	HP Cluster Platforms	<p>HP Cluster Platforms are specifically engineered, factory-integrated large-scale ProLiant clusters optimized for High Performance Computing, with a choice of servers, networks and software. Operating system options include specially priced offerings for Red Hat Enterprise Linux and SUSE Linux Enterprise Server, as well as Microsoft Windows HPC Server. A Cluster Platform Configurator simplifies ordering. <a href="http://www.hp.com/go/clusters">http://www.hp.com/go/clusters</a>.</p>
	HPC Interconnects	<p>High Performance Computing (HPC) interconnect technologies are available for this server as part of the HP Cluster Platform portfolio. These high-speed InfiniBand and Gigabit interconnects are fully supported by HP when</p>

### Optional Features

HP Insight Cluster Management Utility	integrated within an HP cluster. Flexible, validated solutions can be defined with the help of configuration tools. <a href="http://www.hp.com/techservers/clusters/ucp/index.html">http://www.hp.com/techservers/clusters/ucp/index.html</a> HP Insight Cluster Management Utility (CMU) is an HP-licensed and HP-supported suite of tools that are used for lifecycle management of hyperscale clusters of Linux ProLiant systems. CMU includes software for the centralized provisioning, management and monitoring of nodes. CMU makes the administration of clusters user friendly, efficient, and effective. <a href="http://www.hp.com/go/cmu">http://www.hp.com/go/cmu</a>
---------------------------------------	---

### Storage Software

Whether you need to solve a specific data protection, archiving, or storage command and control challenge, or deliver on strategic consolidation, compliance, or continuity initiatives, look no further than HP storage software. Our storage software helps you reduce costs, simplify storage infrastructure, protect vital assets and respond faster to business opportunities.

Storage software that gets the job done:

- **Data Protection and Recovery Software**  
Whether you're a large enterprise or a smaller business, HP data protection and recovery software will cost-effectively protect you against disaster and ensure business continuity.
- **Data Archive and Migration Software**  
HP's storage software enables you to comply with data retention and retrieval requirements, improve application performance, and reduce costs by efficiently migrating infrequently accessed or less valuable data to lower cost storage.
- **Storage Resource Management Software (SRM)**  
HP's storage resource management software reduces operational costs and provides the command and control foundation you need to efficiently manage and visualize your physical and virtual environments.
- **Data Replication Software**  
HP offers array-based and host-based replication software for use in disaster recovery, testing, application development and reporting.
- **Storage Device Management Software**  
Maximize your investment in HP storage and networking with software that enables hardware-specific configuration, performance tuning and connectivity management.
- **HP StoreVirtual VSA**  
With HP StoreVirtual VSA you can use the power of virtualization to turn a set of heterogeneous and disconnected physical disk drives in your servers and storage devices into a single pool of logical storage capacity.

**NOTE:** For more information available Storage Software including QuickSpecs, please see: [www.hp.com/go/storage/software](http://www.hp.com/go/storage/software).

### HP Insight Online

HP Insight Online is a new addition to the HP Support Center for one stop, secure access to product and HP support information personalized to your IT environment. Insight Online can automatically display devices remotely monitored by HP Insight Remote Support. With Insight Online's easy navigation you can efficiently track your IT support contracts and device status from anywhere and at anytime.  
[www.hp.com/go/insightonline](http://www.hp.com/go/insightonline)

### HP Proactive Insight experience

Prevent problems with innovative, automated monitoring tools and proactive services. The HP Proactive Insight experience consist of using Insight Online, Insight Remote Support, and Proactive Care Support Service as one integrated solution. The Proactive Insight experience provides you with expert advice and personalized, cloud-based automated IT support, helping to prevent unplanned down time and solve problems quickly. For more information, visit:  
[www.hp.com/go/proactiveinsightexperience](http://www.hp.com/go/proactiveinsightexperience)

### Optional Features

---

**Factory Express Portfolio for Servers and Storage** HP Factory Express offers configuration, customization, integration and deployment services for HP servers and storage products. Customers can choose how their factory solutions are built, tested, integrated, shipped and deployed.

Factory Express offers service packages for simple configuration, racking, installation, complex configuration and design services as well as individual factory services, such as image loading, asset tagging, and custom packaging. HP products supported through Factory Express include a wide array of servers and storage: HP Integrity, HP ProLiant, HP ProLiant Server Blades, HP BladeSystem, HP 9000 servers as well as the MSAxxxx, VA7xxx, EVA, XP, rackable tape libraries and configurable network switches.

For more information on Factory Express services for your specific server model please contact your sales representative or go to: <http://www.hp.com/go/factory-express>

---

**HP Simple Configurator** SCE is a guided self service tool to help sales and non technical people provide customers with initial configurations in 3 to 5 minutes. You may then send the configuration on for configuration help, or use in your existing ordering processes. If you require "custom" rack configuration or configuration for products not available in SCE, please contact HP's Customer Business Center or an Authorized Partner for assistance. <http://www.hp.com/products/configurator>

### Service and Support

#### Service and Support

##### **HP Technology Services for Industry Standard Servers**

HP Technology Services delivers confidence, reduces risk and helps customers realize agility and stability. Connect to HP to help prevent problems and solve issues faster. Our support technology lets you to tap into the knowledge of millions of devices and thousands of experts to stay informed and in control, anywhere, any time.

##### **Protect your business beyond warranty with HP Care Pack Services**

HP Care Pack Services enable you to order the right service level, length of coverage and response time as you purchase your new server, giving you full entitlement for the term you select.

#### Optimized Care

##### **Supports maintaining servers at optimum performance availability**

##### **HP Proactive Care with 24x7 coverage, three year Care Pack Service**

HP Proactive Care helps prevent problems and stabilize IT by utilizing secure, real-time, predictive analytics and proactive consultations when your products are connected to HP. This Care Pack Service combines three years' proactive reporting and advice with our 24x7 coverage and enhanced escalation management, four hour hardware response time and two hour call back for software questions on leading industry standard software running on your HP ProLiant server.

<http://h20195.www2.hp.com/v2/GetPDF.aspx/4AA3-8855ENW.pdf>

#### Standard Care

##### **Service recommendation that maintains high level of server availability**

##### **Foundation Care 24x7, three-year Care Pack Service**

HP Foundation Care 24x7 connects you to HP 24 hours a day, seven days a week for assistance on resolving issues. Hardware onsite response within four hours if needed; collaborative software included in this Care Pack service provides troubleshooting assistance on industry leading software running on your HP server. Simplify your support experience and make HP your first call for hardware or software questions.

<http://h20195.www2.hp.com/V2/GetDocument.aspx?docname=4AA4-8876ENW&cc=us&lc=en>

#### Related Services

##### **HP ProLiant Server Hardware Installation**

Provides for the basic hardware installation of HP branded servers, storage devices and networking options to assist you in bringing your new hardware into operation in a timely and professional manner.

<http://h20195.www2.hp.com/V2/GetPDF.aspx/5981-9356EN.pdf>

##### **Factory Express for Servers and storage**

HP Factory Express offers configuration, customization, integration and deployment services for HP servers and storage products. Customers can choose how their factory solutions are built, tested, integrated, shipped and deployed. For more information on Factory Express services for your specific server model please contact your sales representative or go to: <http://www.hp.com/go/factory-express>.

##### **Data Privacy Services**

Protect your data through better media management. HP Data privacy services help manage and protect sensitive data to reduce the risk of unauthorized access to private information and help meet compliance requirements. Our retention services allow you to keep drives and other devices upon failure, our removal services provide convenient data sanitization and our recovery services allow you to safely retire IT assets and capture any remaining value from the hardware.

[www.hp.com/services/dataprivacy](http://www.hp.com/services/dataprivacy)

Additional HP Care Pack services can be found at: <http://www.hp.com/go/cpc>

#### Get connected to HP to

Prevent problems with innovative, automated monitoring tools and proactive services. Combining

### Service and Support

---

**improve your support experience**

Proactive Care Services with our remote support technology such as Insight Online provides you with expert advice and personalized, cloud-based automated IT support, helping to prevent unplanned down time and solve problems quickly. For more information, visit: [www.hp.com/go/proactiveinsightexperience](http://www.hp.com/go/proactiveinsightexperience)

---

**HP Support Center**

Personalized online support portal with access to information, tools and experts to support HP business products. Submit support cases online, chat with HP experts, access support resources or collaborate with peers. Learn more <http://www.hp.com/go/hpsc>

HP's Support Center Mobile App\* allows you to resolve issues yourself or quickly connect to an agent for live support. Now, you can get access to personalized IT support anywhere, anytime. HP Insight Remote Support and HP Support Center are available at no additional cost with a HP warranty, HP Care Pack or HP contractual support agreement.

\*HP Support Center Mobile App is subject to local availability

---

**Warranty / Service Coverage**

For ProLiant servers and storage systems, the services cover HP-branded hardware options qualified for the server, purchased at the same time or afterward, internal to the enclosure, as well as external monitors up to 22" and tower UPS products; these items will be covered at the same service level and for the same coverage period as the server unless the maximum supported lifetime and/or the maximum usage limitation has been exceeded. Coverage of the UPS battery is not included; standard warranty terms and conditions apply.

The defective media retention service feature option applies only to Disk or eligible SSD/Flash Drives replaced by HP due to malfunction. It does not apply to any exchange of Disk or SSD/Flash Drives that have not failed. SSD/Flash Drives that are specified by HP as consumable parts and/or that have exceeded maximum supported lifetime and/or the maximum usage limit as set forth in the manufacturer's operating manual or the technical data sheet are not eligible for the defective media retention service feature option.

---

**For more information**

To learn more on HP ProLiant servers and HP BladeSystem servers, please contact your HP sales representative or HP Authorized Channel Partner. Or visit: <http://www.hp.com/services/proliant>

### Pre-configured Models

**NOTE:** For the Standard Features shipped in the "Factory Integrated Models", please see the "Configuration Information - Factory Integrated Models" section.

**NOTE:** Pre-configured models ship with the configurations below. Options can be selected from the Core or Additional options section of this QuickSpecs.

**NOTE:** HP does not allow factory integration of options into pre-configured models. Any additional options purchased will be shipped separately.

**NOTE:** If you desire a custom configuration please see "Configuration Information - Factory Integrated Models" section of this QuickSpecs.

**NOTE:** All Pre-configured Models come populated with some hard drive blanks installed. Should the customer need additional hard drive blanks, they can order more using either P/N 666987-B21: HP SFF Gen8 Hard Drive Blank Kit or P/N 666986-B21: HP LFF Gen8 Hard Drive Blank Kit.

### Entry Models

<p><b>HP ProLiant ML350e Gen8 E5-2403 1P 2GB-U Non-hot Plug SATA LFF 460W PS Entry Svr</b> 648375-001</p>	<p><b>Processor</b> <b>Cache Memory</b> <b>Memory</b> <b>Network Controller</b> <b>Storage Controller</b> <b>Hard Drive</b> <b>Internal Storage</b> <b>Optical Drive</b> <b>Power Supply</b> <b>Fans</b> <b>Accessories</b> <b>Management</b></p> <p><b>Form Factor</b> <b>Warranty</b></p>	<p>(1) Intel® Xeon® E5-2403 (1.8GHz/4-core/80W/10MB) Processor 10MB (1 x 10MB) Level 3 2GB (1 x 2GB) Unbuffered DIMMs PC3L-10600E HP Ethernet 1Gb 2-port 361i Adapter HP Dynamic Smart Array B120i/Zero Memory SATA Controller (RAID 0,1,10) (1) 500GB 6G SATA 7.2K NHP 3.5" N MDL HDD; includes 3 hard drive blanks 4 LFF Non Hot Plug SATA HDD Bays only HP Half-Height SATA DVD-ROM Optical Drive (1) 460 Watt Power Supply (non-hot plug, non-redundant) 2 Non-Hot Plug, Non Redundant Fans USB Keyboard and Mouse ship standard HP iLO Management Engine (standard) Optional: HP iLO Essentials or HP Insight Control Tower (5U) Server Warranty includes 3-Year Parts, 1-Year Labor, 1-Year Onsite support with next business day response</p>
---	---	--

### Base Models

<p><b>HP ProLiant ML350e Gen8 E5-2407 1P 4GB-U Hot Plug SATA 4 LFF 460W PS Base Svr</b> 648376-001</p>	<p><b>Processor</b> <b>Cache Memory</b> <b>Memory</b> <b>Network Controller</b> <b>Storage Controller</b></p> <p><b>Hard Drive</b> <b>Internal Storage</b></p> <p><b>Optical Drive</b> <b>Power Supply</b> <b>Fans</b> <b>Accessories</b> <b>Management</b></p>	<p>(1) Intel® Xeon® E5-2407 (2.2GHz/4-core/80W/10MB) Processor 10MB (1 x 10MB) Level 3 4GB (1 x 4GB) Unbuffered DIMMs PC3L-10600E HP Ethernet 1Gb 2-port 361i Adapter HP Dynamic Smart Array B120i/512MB FBWC SATA Controller (RAID 0,1, 5, 10) None ships standard; includes 3 LFF hard drive blanks 4 LFF Hot Plug SATA HDD Bays only <b>NOTE:</b> A SAS controller and the HP ML350e Gen8 Large Form Factor (LFF) 5/6 Hard Drive Cable Kit (684527-B21) is required to support 6 LFF drives. Otherwise, only 4 SATA drives are supported with the embedded controller. HP Half-Height SATA DVD-ROM Optical Drive (1) 460 Watt Power Supply (non-hot plug, non-redundant) 2 Non-Hot Plug, Non Redundant Fans USB Keyboard and Mouse ship standard HP iLO Management Engine (standard)</p>
--	---	---

### Pre-configured Models

<b>Form Factor</b>	Optional: HP iLO Essentials or HP Insight Control Tower (5U)
<b>Warranty</b>	Server Warranty includes 3-Year Parts, 1-Year Labor, 1-Year Onsite support with next business day response

### Performance Models

<b>HP ProLiant ML350e Gen8 E5-2420 1P 8GB-U P420 Hot Plug 6 LFF 460W PS Perf Server 648377-001</b>	<p><b>Processor</b> (1) Intel® Xeon® E5-2420 (1.9GHz/6-core/95W/15MB) Processor</p> <p><b>Cache Memory</b> 15MB (1 x 15MB) Level 3</p> <p><b>Memory</b> 8GB (2 x 4GB) Unbuffered DIMMs PC3L-10600E</p> <p><b>Network Controller</b> HP Ethernet 1Gb 2-port 361i Adapter</p> <p><b>Storage Controller</b> HP Smart Array P420/1GB FBWC Controller (RAID 0/1/1+0/5/5+0/6/6+0)</p> <p><b>Hard Drive</b> None ships standard; includes 5 LFF hard drive blanks</p> <p><b>Internal Storage</b> 6 LFF Hot Plug SATA HDD Bays; upgradeable to 12</p> <p><b>Optical Drive</b> HP Half-Height SATA DVD-ROM Optical Drive</p> <p><b>Power Supply</b> (1) 460 Watt Power Supply (non-hot plug, non-redundant)</p> <p><b>Fans</b> 2 Non-Hot Plug, Non Redundant Fans</p> <p><b>Accessories</b> USB Keyboard and Mouse ship standard</p> <p><b>Management</b> HP iLO Management Engine (standard) Optional: HP iLO Essentials or HP Insight Control</p> <p><b>Form Factor</b> Tower (5U)</p> <p><b>Warranty</b> Server Warranty includes 3-Year Parts, 1-Year Labor, 1-Year Onsite support with next business day response</p>
--	---

### Smart Buys

<b>HP ProLiant ML350e Gen8 E5-2403 1P 8GB-U Hot Plug 4LFF 460W PS Svr/S-Buy</b> 686770-S01	<b>Processor</b>	(1) Intel® Xeon® E5-2403 (1.8GHz/4-core/80W/10MB) Processor
	<b>Cache Memory</b>	10MB (1 x 10MB) Level 3
	<b>Memory</b>	8GB (2 x 4GB) Unbuffered DIMMs PC3L-10600E
	<b>Network Controller</b>	HP Ethernet 1Gb 2-port 361i Adapter
	<b>Storage Controller</b>	HP Dynamic Smart Array B120i/Zero Memory SATA Controller (RAID 0,1,10)
	<b>Hard Drive</b>	None ship standard; includes 3 LFF hard drive blanks
	<b>Internal Storage</b>	4 LFF Hot Plug HDD Bays
	<b>Optical Drive</b>	HP Half-Height SATA DVD-RW Optical Drive
	<b>Power Supply</b>	(1) 460 Watt Power Supply (non-hot plug, non-redundant)
	<b>Fans</b>	2 Non-Hot Plug, Non Redundant Fans
	<b>Accessories</b>	USB Keyboard and Mouse ship standard
	<b>Management</b>	HP iLO Management Engine (standard)
	<b>Form Factor</b>	Tower (5U)
<b>Warranty</b>	Server Warranty includes 3-Year Parts, 1-Year Labor, 1-Year Onsite support with next business day response	

<b>HP ProLiant ML350e Gen8 E5-2420 1P 8GB-U Hot Plug 4LFF 460W PS Svr/S-Buy</b> 686771-S01	<b>Processor</b>	(1) Intel® Xeon® E5-2420 (1.9GHz/6-core/95W/15MB) Processor
	<b>Cache Memory</b>	15MB (1 x 15MB) Level 3
	<b>Memory</b>	8GB (2 x 4GB) Unbuffered DIMMs PC3L-10600E
	<b>Network Controller</b>	HP Ethernet 1Gb 2-port 361i Adapter
	<b>Storage Controller</b>	HP Dynamic Smart Array B120i/512MB FBWC SATA Controller (RAID 0,1, 5, 10)
	<b>Hard Drive</b>	None ship standard; includes 3 LFF hard drive blanks
	<b>Internal Storage</b>	4 LFF Hot Plug HDD Bays
	<b>Optical Drive</b>	HP Half-Height SATA DVD-RW Optical Drive
	<b>Power Supply</b>	(1) 460 Watt Power Supply (non-hot plug, non-redundant)
	<b>Fans</b>	2 Non-Hot Plug, Non Redundant Fans
	<b>Accessories</b>	USB Keyboard and Mouse ship standard
	<b>Management</b>	HP iLO Management Engine (standard)
	<b>Form Factor</b>	Tower (5U)
<b>Warranty</b>	Server Warranty includes 3-Year Parts, 1-Year Labor, 1-Year Onsite support with next business day response	

<b>HP ProLiant ML350e Gen8 E5-2420 1P 8GB-U Hot Plug 4LFF 460W PS SBS Svr/S-Buy</b> 686772-S01	<b>Processor</b>	(1) Intel® Xeon® E5-2420 (1.9GHz/6-core/95W/15MB) Processor
	<b>Cache Memory</b>	15MB (1 x 15MB) Level 3
	<b>Memory</b>	8GB (2 x 4GB) Unbuffered DIMMs PC3L-10600E
	<b>Network Controller</b>	HP Ethernet 1Gb 2-port 361i Adapter
	<b>Storage Controller</b>	HP Dynamic Smart Array B120i/512MB FBWC SATA Controller (RAID 0,1, 5, 10)
	<b>Hard Drive</b>	None ship standard; includes 3 LFF hard drive blanks
	<b>Internal Storage</b>	4 LFF Hot Plug HDD Bays
	<b>Optical Drive</b>	HP Half-Height SATA DVD-RW Optical Drive
	<b>Power Supply</b>	(1) 460 Watt Power Supply (non-hot plug, non-redundant)
	<b>Fans</b>	2 Non-Hot Plug, Non Redundant Fans
	<b>Accessories</b>	USB Keyboard and Mouse ship standard



### Smart Buys

<b>Operating System</b>	MS W2011 SBS Standard
<b>Management</b>	HP iLO Management Engine (standard)
<b>Form Factor</b>	Tower (5U)
<b>Warranty</b>	Server Warranty includes 3-Year Parts, 1-Year Labor, 1-Year Onsite support with next business day response

<b>HP ProLiant ML350e Gen8 E5-2420 1P 8GB-U Hot Plug 4LFF 460W PS SBS Svr/S-Buy</b> 728447-S01	<b>Processor</b>	(1) Intel® Xeon® E5-2420 (1.9GHz/6-core/95W/15MB) Processor
	<b>Cache Memory</b>	15MB (1 x 15MB) Level 3
	<b>Memory</b>	8GB (2 x 4GB) Unbuffered DIMMs PC3L-10600E
	<b>Network Controller</b>	HP Ethernet 1Gb 2-port 361i Adapter
	<b>Storage Controller</b>	HP Dynamic Smart Array B120i/512MB FBWC SATA Controller (RAID 0,1, 5, 10)
	<b>Hard Drive</b>	None ship standard
	<b>Internal Storage</b>	4 LFF Hot Plug HDD Bays
	<b>Optical Drive</b>	HP Half-Height SATA DVD-ROM Optical Drive
	<b>Power Supply</b>	(1) 460 Watt Power Supply (non-hot plug, non-redundant)
	<b>Fans</b>	2 Non-Hot Plug, Non Redundant Fans
	<b>Accessories</b>	USB Keyboard and Mouse ship standard
	<b>Operating System</b>	MS W2012 Server Standard Edition; includes W2008 downgrade media and key
	<b>Management</b>	HP iLO Management Engine (standard)
	<b>Form Factor</b>	Tower (5U)
<b>Warranty</b>	Server Warranty includes 3-Year Parts, 1-Year Labor, 1-Year Onsite support with next business day response	

<b>HP ProLiant ML350e Gen8 E5-2440 2P 16GB-R Hot Plug 8SFF 750W PS Svr/S-Buy</b> 686773-S01	<b>Processor</b>	(2) Intel® Xeon® E5-2440 (2.4GHz/6-core/95W/15MB) Processor
	<b>Cache Memory</b>	15MB (1 x 15MB) Level 3
	<b>Memory</b>	16GB (2 x 8GB) Dual Rank x4 PC3L-10600R (DDR3-1333) Registered CAS-9 Low Voltage Memory Kit
	<b>Network Controller</b>	HP Ethernet 1Gb 2-port 361i Adapter
	<b>Storage Controller</b>	HP Smart Array P420/1GB FBWC Controller (RAID 0/1/1+0/5/5+0)
	<b>Hard Drive</b>	None ship standard; includes 7 SFF hard drive blanks
	<b>Internal Storage</b>	8SFF Hot Plug HDD Bays
	<b>Optical Drive</b>	HP Half-Height SATA DVD-RW Optical Drive
	<b>Power Supply</b>	HP 750W Common Slot Gold Hot Plug Power Supply Kit
	<b>Fans</b>	4 Redundant Fans
	<b>Accessories</b>	USB Keyboard and Mouse ship standard
	<b>Management</b>	HP iLO Management Engine (standard)
	<b>Form Factor</b>	Tower (5U)
	<b>Warranty</b>	Server Warranty includes 3-Year Parts, 1-Year Labor, 1-Year Onsite support with next business day response

### Configuration Information - Factory Integrated Models

**NOTE:** This section lists some of the steps required to configure a Factory Integrated Model. To ensure only valid configurations are ordered, HP recommends the use of an HP approved configurator. Contact your local sales representative for information on configurable product offerings and requirements.

**NOTE:** Factory Integrated Models must start with a CTO Server.

**NOTE:** FIO indicates that this option is only available as a factory installable option.

**NOTE:** All Factory Integrated Models will be populated with sufficient hard drive blanks based on the number of initial hard drives ordered with the server.

### Step 1: Base Configuration (choose one of the following configurable models)

#### HP Models

#### ML350e Gen8 Tower Models

HP ProLiant ML350e Gen8 Non-hot Plug 4 LFF Configure-to-order Server 664043-B21

#### Includes:

HP Ethernet 1Gb 2--port 361i Adapter  
 HP Dynamic Smart Array B120i SATA Controller (RAID 0/1/10)  
 Four (4) Non-Hot-Plug (LFF) SATA Drive Bays  
 Ten (10) USB ports  
 Six (6) PCIe slots  
 Two (2) Non-hot plug, non-redundant fans  
 HP iLO Management Engine (standard)  
 Tower (5U) form factor

HP ProLiant ML350e Gen8 Hot Plug 6 LFF Configure-to-order Server 664044-B21

#### Includes:

HP Ethernet 1Gb 2--port 361i Adapter  
 HP Dynamic Smart Array B120i SATA Controller (RAID 0/1/10)  
 Six (6) Hot-Plug (LFF) SATA Drive Bays  
**NOTE:** A SAS controller is required to support 6 LFF drives. Otherwise, only 4 SATA drives are supported with the embedded controller. HP Hot-Plug 4LFF Shield Metal FIO Kit (704853-B21) must be selected to use 4 SATA drives with embedded controller.  
 Ten (10) USB ports  
 Six (6) PCIe slots  
 Two (2) Non-hot plug, non-redundant fans  
 HP iLO Management Engine (standard)  
 Tower (5U) form factor

HP ProLiant ML350e Gen8 Hot Plug 8 SFF Configure-to-order Server 664045-B21

#### Includes:

HP Ethernet 1Gb 2--port 361i Adapter  
 HP Dynamic Smart Array B120i SATA Controller (RAID 0/1/10)  
 Eight (8) Hot-Plug (SFF) SATA Drive Bays  
**NOTE:** A SAS controller is required to support 8 SFF drives.  
 Ten (10) USB ports  
 Six (6) PCIe slots  
 Two (2) Non-hot plug, non-redundant fans  
 HP iLO Management Engine (standard)  
 Tower (5U) form factor

### Step 2: Choose Required Options (only one of the following from each list unless otherwise noted)

#### HP Processors

#### Eight-Core Processors

**NOTE:** All support up to 1600MHz memory speeds.

HP ML350e Gen8 Intel® Xeon® E5-2470 (2.3GHz/8-core/20MB/95W) FIO Processor 678905-L21

### Configuration Information - Factory Integrated Models

Kit  
 HP ML350e Gen8 Intel® Xeon® E5-2450 (2.1GHz/8-core/20MB/95W) FIO Processor Kit 678903-L21

HP ML350e Gen8 Intel® Xeon® E5-2450L (1.8GHz/8-core/20MB/70W) FIO Processor Kit 678901-L21

#### Six-Core Processors

**NOTE:** All support up to 1333MHz DDR3 memory speeds.

HP ML350e Gen8 Intel® Xeon® E5-2440 (2.4GHz/6-core/15MB/95W) FIO Processor Kit 665879-L21

HP ML350e Gen8 Intel® Xeon® E5-2430 (2.2GHz/6-core/15MB/95W) FIO Processor Kit 665870-L21

HP ML350e Gen8 Intel® Xeon® E5-2430L (2.0GHz/6-core/15MB/60W) FIO Processor Kit 665862-L21

HP ML350e Gen8 Intel® Xeon® E5-2420 (1.9GHz/6-core/15MB/95W) FIO Processor Kit 665868-L21

#### Quad-Core Processors

**NOTE:** All support up to 1066MHz DDR3 memory speeds.

HP ML350e Gen8 Intel® Xeon® E5-2407 (2.2GHz/4-core/10MB/80W) FIO Processor Kit 665866-L21

HP ML350e Gen8 Intel® Xeon® E5-2403 (1.8GHz/4-core/10MB/80W) FIO Processor Kit 665864-L21

### HP Memory

**NOTE:** To realize the performance memory capabilities listed in this document, HP SmartMemory is required. For additional information, please see the HP SmartMemory QuickSpecs at:

[http://h18000.www1.hp.com/products/quickspecs/14225\\_na/14225\\_na.html](http://h18000.www1.hp.com/products/quickspecs/14225_na/14225_na.html)

#### Registered DIMMs (RDIMMs) - E5-2xxx series Processors

**NOTE:** Redundant Enablement Kit (part # 664046-B21) is required whenever Registered DIMM is purchased.

HP 4GB (1x4GB) Single Rank x4 PC3L-10600R (DDR3-1333) Registered CAS-9 Low Voltage Memory Kit 647893-B21

HP 4GB (1x4GB) Single Rank x4 PC3-12800R (DDR3-1600) Registered CAS-11 Memory Kit 647895-B21

HP 8GB (1x8GB) Dual Rank x4 PC3L-10600R (DDR3-1333) Registered CAS-9 Low Voltage Memory Kit 647897-B21

HP 8GB (1x8GB) Single Rank x4 PC3-12800R (DDR3-1600) Registered CAS-11 Memory Kit 647899-B21

HP 8GB (1x8GB) Dual Rank x4 PC3-12800R (DDR3-1600) Registered CAS-11 Memory Kit 690802-B21

HP 16GB (1x16GB) Dual Rank x4 PC3L-10600R (DDR3-1333) Registered CAS-9 Low Voltage Memory Kit 647901-B21

HP 16GB (1x16GB) Dual Rank x4 PC3-12800R (DDR3-1600) Registered CAS-11 Memory Kit 672631-B21

#### Unbuffered with ECC DIMMs (UDIMM) for E5-2xxx and E3-1xxx v3 series Processors

HP 2GB (1x2GB) Single Rank x8 PC3-12800E (DDR3-1600) Unbuffered CAS-11 Memory Kit 669320-B21

HP 2GB (1x2GB) Single Rank x8 PC3L-10600E (DDR3-1333) Unbuffered CAS-9 Low Voltage Memory Kit 647905-B21

HP 4GB (1x4GB) Dual Rank x8 PC3-12800E (DDR3-1600) Unbuffered CAS-11 Memory Kit 669322-B21

### Configuration Information - Factory Integrated Models

HP 4GB (1x4GB) Dual Rank x8 PC3L-10600E (DDR3-1333) Unbuffered CAS-9 Low Voltage Memory Kit	647907-B21
HP 8GB (1x8GB) Dual Rank x8 PC3-12800E (DDR3-1600) Unbuffered CAS-11 Memory Kit	669324-B21
HP 8GB (1x8GB) Dual Rank x8 PC3L-10600E (DDR3-1333) Unbuffered CAS-9 Low Voltage Memory Kit	647909-B21

#### Load Reduced DIMMs (LRDIMMs)

HP 32GB (1x32GB) Quad Rank x4 PC3L-10600L (DDR3-1333) Load Reduced CAS-9 Low Voltage Memory Kit	647903-B21
---	------------

**NOTE:** All DDR3 memory option kits consist of one DIMM per kit. For detailed memory configuration rules and guidelines, please use the Online DDR3 Memory Configuration Tool: [www.hp.com/go/ddr3memory-configurator](http://www.hp.com/go/ddr3memory-configurator).

**NOTE:** Kits described as LP include Low Power DIMMs. For more information on ProLiant Energy Efficient Features, see: <http://h18004.www1.hp.com/products/servers/platforms/energyefficient/>

### HP Power Supplies

**NOTE:** Mixing of power supplies in the same server is not supported. All power supplies inside a server must be exactly the same model. Mixing Gold, Platinum, and Platinum Plus certified power supplies is not supported.

**NOTE:** Prior to making a power supply selection it is highly recommended that the HP Power Advisor is run to determine the right size power supply for your server configuration. The HP Power Advisor is located at: [www.hp.com/go/hppoweradvisor](http://www.hp.com/go/hppoweradvisor).

#### Primary Power Supplies

HP 460W Factory Integrated Power Supply Kit	667559-B21
---	------------

**NOTE:** This power supply is non-redundant and is factory integrated only.

#### HP Common Slot Platinum Plus Power Supply Kits

**NOTE:** The following Power Supplies offer 94% Efficiency with support for Intelligent Power Discovery.

HP 460W Common Slot Platinum Plus Hot Plug Power Supply Kit	656362-B21
HP 750W Common Slot Platinum Plus Hot Plug Power Supply Kit	656363-B21

#### HP Common Slot Gold Power Supplies

**NOTE:** The following Power Supplies offer up to 92% efficiency.

HP 460W Common Slot Gold Hot Plug Power Supply Kit	503296-B21
HP 750W Common Slot Gold Hot Plug Power Supply Kit	512327-B21

#### Enablement Kit

HP Redundant Enablement Kit	664046-B21
-----------------------------	------------

**NOTE:** Redundant Enablement Kit (part # 664046-B21) is required for any common slot power supply.

**NOTE:** Power Specification and Technical Content for supported power supplies can be found at: [http://h18000.www1.hp.com/products/quickspecs/14209\\_na/14209\\_na.html](http://h18000.www1.hp.com/products/quickspecs/14209_na/14209_na.html)

### HP Hard Drives

#### HP Hot Plug 4 LFF FIO Shield Metal Kit

HP Hot Plug 4 LFF FIO Shield Metal Kit	704853-B21
--	------------

**NOTE:** This FIO kit enables to use 6LFF hot plug chassis as 4LFF hot plug with embedded SATA controller. Shield metal kit must be selected if SAS controller is not required in case of 6LFF hot-plug chassis.

### Step 3: Choose Additional Factory Integratable Options

#### HP Security Hardware

HP Hot Plug 4 LFF FIO Shield Metal Kit	704853-B21
--	------------

**NOTE:** For Hot Plug 6LFF CTO Server Only (P/N 664044-B21) .

**NOTE:** HP Hot-Plug 4LFF Shield Metal FIO Kit must be selected if a SAS controller is

### Configuration Information - Factory Integrated Models

[not in the order.](#)

**HP Insight Software**

HP Insight Control including 1yr 24x7 Support ProLiant ML/DL/BL-bundle Single  
Server FIO License

C6N36A

---

### Step 4: Choose Additional Options for Factory Integration

**NOTE:** For additional options, please refer to the "Core Options" and "Additional Options" section below.

### Core Options

**NOTE:** Some options may not be integrated at the factory. Contact your local sales representative for additional information.

#### HP Processors

##### Eight-Core Processors

**NOTE:** All support up to 1600MHz memory speeds.

HP ML350e Gen8 Intel® Xeon® E5-2470 (2.3GHz/8-core/20MB/95W) Processor Kit 678905-B21

HP ML350e Gen8 Intel® Xeon® E5-2450 (2.1GHz/8-core/20MB/95W) Processor Kit 678903-B21

##### Six-Core Processors

**NOTE:** All support up to 1333MHz DDR3 memory speeds.

HP ML350e Gen8 Intel® Xeon® E5-2440 (2.4GHz/6-core/15MB/95W) Processor Kit 665879-B21

HP ML350e Gen8 Intel® Xeon® E5-2430 (2.2GHz/6-core/15MB/95W) Processor Kit 665870-B21

HP ML350e Gen8 Intel® Xeon® E5-2430L (2.0GHz/6-core/15MB/60W) Processor Kit 665862-B21

HP ML350e Gen8 Intel® Xeon® E5-2420 (1.9GHz/6-core/15MB/95W) Processor Kit 665868-B21

##### Quad-Core Processors

**NOTE:** All support up to 1066MHz DDR3 memory speeds.

HP ML350e Gen8 Intel® Xeon® E5-2407 (2.2GHz/4-core/10MB/80W) Processor Kit 665866-B21

HP ML350e Gen8 Intel® Xeon® E5-2403 (1.8GHz/4-core/10MB/80W) Processor Kit 665864-B21

#### HP Memory

**NOTE:** To realize the performance memory capabilities listed in this document, HP SmartMemory is required. For additional information, please see the HP SmartMemory QuickSpecs at:

[http://h18000.www1.hp.com/products/quickspecs/14225\\_na/14225\\_na.html](http://h18000.www1.hp.com/products/quickspecs/14225_na/14225_na.html)

##### Registered DIMMs (RDIMMs) - E5-2xxx series Processors

**NOTE:** Redundant Enablement Kit (part # 664046-B21) is required whenever Registered DIMM is purchased.

HP 4GB (1x4GB) Single Rank x4 PC3L-10600R (DDR3-1333) Registered CAS-9 Low Voltage Memory Kit 647893-B21

HP 4GB (1x4GB) Single Rank x4 PC3L-10600R (DDR3-1333) Registered CAS-9 Low Voltage Memory Kit/S-Buy 647893-S21

HP 4GB (1x4GB) Single Rank x4 PC3-12800R (DDR3-1600) Registered CAS-11 Memory Kit 647895-B21

HP 4GB (1x4GB) Single Rank x4 PC3-12800 (DDR3-1600) Reg CAS-11 Memory Kit/S-Buy 647895-S21

HP 8GB (1x8GB) Dual Rank x4 PC3L-10600R (DDR3-1333) Registered CAS-9 Low Voltage Memory Kit 647897-B21

HP 8GB (1x8GB) Dual Rank x4 PC3L-10600R (DDR3-1333) Registered CAS-9 Low Voltage Memory Kit/S-Buy 647897-S21

HP 8GB (1x8GB) Single Rank x4 PC3-12800R (DDR3-1600) Registered CAS-11 Memory Kit 647899-B21

HP 8GB (1x8GB) Single Rank x4 PC3-12800R (DDR3-1600) Registered CAS-11 Memory Kit S-Buy 647899-S21

HP 8GB (1x8GB) Dual Rank x4 PC3-12800R (DDR3-1600) Registered CAS-11 Memory Kit 690802-B21

HP 16GB (1x16GB) Dual Rank x4 PC3L-10600R (DDR3-1333) Registered CAS-9 Low Voltage Memory Kit 647901-B21

HP 16GB (1x16GB) Dual Rank x4 PC3L-10600R (DDR3-1333) Registered CAS-9 Low Voltage Memory Kit/S-Buy 647901-S21

HP 16GB (1x16GB) Dual Rank x4 PC3-12800R (DDR3-1600) Registered CAS-11 Memory Kit 672631-B21

HP 16GB (1x16GB) Dual Rank x4 PC3-12800R (DDR3-1600) Registered CAS-11 672631-S21

### Core Options

Memory Kit S-Buy

**Unbuffered with ECC DIMMs (UDIMM) for E5-2xxx and E3-1xxx v3 series Processors**

HP 2GB (1x2GB) Single Rank x8 PC3-12800E (DDR3-1600) Unbuffered CAS-11 Memory Kit	669320-B21
HP 2GB (1x2GB) Single Rank x8 PC3L-10600E (DDR3-1333) Unbuffered CAS-9 Low Voltage Memory Kit	647905-B21
HP 2GB (1x2GB) Single Rank x8 PC3L-10600E (DDR3-1333) Unbuffered CAS-9 Low Voltage Memory Kit/S-Buy	647905-S21
HP 4GB (1x4GB) Dual Rank x8 PC3-12800E (DDR3-1600) Unbuffered CAS-11 Memory Kit	669322-B21
HP 4GB (1x4GB) Dual Rank x8 PC3L-10600E (DDR3-1333) Unbuffered CAS-9 Low Voltage Memory Kit	647907-B21
HP 4GB (1x4GB) Dual Rank x8 PC3L-10600E (DDR3-1333) Unbuffered CAS-9 Low Voltage Memory Kit/S-Buy	647907-S21
HP 8GB (1x8GB) Dual Rank x8 PC3-12800E (DDR3-1600) Unbuffered CAS-11 Memory Kit	669324-B21
HP 8GB (1x8GB) Dual Rank x8 PC3L-10600E (DDR3-1333) Unbuffered CAS-9 Low Voltage Memory Kit	647909-B21

**Load Reduced DIMMs (LRDIMMs)**

HP 32GB (1x32GB) Quad Rank x4 PC3L-10600L (DDR3-1333) Load Reduced CAS-9 Low Voltage Memory Kit	647903-B21
---	------------

**NOTE:** All DDR3 memory option kits consist of one DIMM per kit. For detailed memory configuration rules and guidelines, please use the Online DDR3 Memory Configuration Tool: [www.hp.com/go/ddr3memory-configurator](http://www.hp.com/go/ddr3memory-configurator).

**NOTE:** Kits described as LP include Low Power DIMMs. For more information on ProLiant Energy Efficient Features, see: <http://h18004.www1.hp.com/products/servers/platforms/energyefficient/>

### HP Optical Drives

HP Half-Height SATA DVD ROM JackBlack Optical Drive	624189-B21
HP Half-Height SATA DVD RW JackBlack Optical Drive	624192-B21

### HP Hard Drives

**NOTE:** The components of a storage subsystem (e.g. the drive, the HBA/controller, firmware, and the server backplane) should operate at the same data transfer rate or the system bandwidth will be negotiated down to an acceptable level for all components.

**NOTE:** Hard drives have either a one year or three year warranty; refer to the specific hard drive QuickSpecs for details.

**SAS Hot Plug with SmartDrive SFF (2.5-inch) Enterprise Drives**

HP 1.2TB 6G SAS 10K rpm SFF (2.5-inch) SC Dual Port Enterprise 3yr Warranty Hard Drive	718162-B21
HP 1.2TB 6G SAS 10K rpm SFF (2.5-inch) SC Enterprise 3yr Warranty Hard Drive	697574-B21
HP 900GB 6G SAS 10K rpm SFF (2.5-inch) SC Enterprise 3yr Warranty Hard Drive	652589-B21
HP 900GB 6G SAS 10K rpm SFF (2.5-inch) SC Enterprise 3yr Warranty Hard Drive/S-Buy	652589-S21
HP 600GB 6G SAS 10K rpm SFF (2.5-inch) SC Enterprise 3yr Warranty Hard Drive	652583-B21
HP 600GB 6G SAS 10K rpm SFF (2.5-inch) SC Enterprise 3yr Warranty Hard Drive/S-Buy	652583-S21
HP 450GB 6G SAS 10K rpm SFF (2.5-inch) SC Enterprise 3yr Warranty Hard Drive	652572-B21
HP 300GB 6G SAS 10K rpm SFF (2.5-inch) SC Enterprise 3yr Warranty Hard Drive	652564-B21

### Core Options

HP 300GB 6G SAS 10K rpm SFF (2.5-inch) SC Enterprise 3yr Warranty Hard Drive/S-Buy	652564-S21
HP 300GB 6G SAS 15K rpm SFF (2.5-inch) SC Enterprise 3yr Warranty Hard Drive	652611-B21
HP 300GB 6G SAS 15K rpm SFF (2.5-inch) SC Enterprise 3yr Warranty Hard Drive/S-Buy	652611-S21
HP 146GB 6G SAS 15K rpm SFF (2.5-inch) SC Enterprise 3yr Warranty Hard Drive	652605-B21
HP 146GB 6G SAS 15K rpm SFF (2.5-inch) SC Enterprise 3yr Warranty Hard Drive/S-Buy	652605-S21
<b>SAS Hot Plug SmartDrive SFF (2.5-inch) Midline Drives</b>	
HP 1TB 6G SAS 7.2K rpm SFF (2.5-inch) SC Midline 1yr Warranty Hard Drive	652749-B21
HP 500GB 6G SAS 7.2K rpm SFF (2.5-inch) SC Midline 1yr Warranty Hard Drive	652745-B21
<b>SAS Hot Plug SmartDrive LFF (3.5-inch) Enterprise Drives</b>	
HP 600GB 6G SAS 15K rpm LFF (3.5-inch) SC Enterprise 3yr Warranty Hard Drive	652620-B21
HP 450GB 6G SAS 15K rpm LFF (3.5-inch) SC Enterprise 3yr Warranty Hard Drive	652615-B21
<b>SAS Hot Plug SmartDrive LFF (3.5-inch) Midline Drives</b>	
HP 3TB 6G SAS 7.2K rpm LFF (3.5-inch) SC Midline 1yr Warranty Hard Drive	652766-B21
HP 2TB 6G SAS 7.2K rpm LFF (3.5-inch) SC Midline 1yr Warranty Hard Drive	652757-B21
HP 1TB 6G SAS 7.2K rpm LFF (3.5-inch) SC Midline 1yr Warranty Hard Drive	652753-B21
<b>NOTE: Please see the QuickSpecs for Technical Specifications and additional information:</b>	
<a href="http://h18000.www1.hp.com/products/quickspecs/12244_na/12244_na.html">http://h18000.www1.hp.com/products/quickspecs/12244_na/12244_na.html</a>	
<b>6G SATA Hot Plug with SmartDrive SFF (2.5-inch) Midline (MDL) Drives</b>	
HP 4TB 6G SAS 7.2K rpm LFF (3.5-inch) SC Midline 1yr Warranty Hard Drive	695510-B21
HP 1TB 6G SATA 7.2K rpm SFF (2.5-inch) SC Midline 1yr Warranty Hard Drive	655710-B21
HP 1TB 6G SATA 7.2K rpm SFF (2.5-inch) SC Midline 1yr Warranty Hard Drive/S-Buy	655710-S21
HP 500GB 6G SATA 7.2K rpm SFF (2.5-inch) SC Midline 1yr Warranty Hard Drive	655708-B21
HP 500GB 6G SATA 7.2K rpm SFF (2.5-inch) SC Midline 1yr Warranty Hard Drive/S-Buy	655708-S21
<b>6G SATA Hot Plug with SmartDrive LFF (3.5-inch) Midline (MDL) Drives</b>	
HP 4TB 6G SATA 7.2k rpm LFF (3.5-inch) SC Midline 1yr Warranty Hard Drive	693687-B21
HP 3TB 6G SATA 7.2K rpm LFF (3.5-inch) SC Midline 1yr Warranty Hard Drive	628061-B21
HP 2TB 6G SATA 7.2K rpm LFF (3.5-inch) SC Midline 1yr Warranty Hard Drive	658079-B21
HP 1TB 6G SATA 7.2K rpm LFF (3.5-inch) SC Midline 1yr Warranty Hard Drive	657750-B21
HP 1TB 6G SATA 7.2K rpm LFF (3.5-inch) SC Midline 1yr Warranty Hard Drive/S-Buy	657750-S21
HP 500GB 6G SATA 7.2K rpm LFF (3.5-inch) SC Midline 1yr Warranty Hard Drive	658071-B21
HP 500GB 6G SATA 7.2K rpm LFF (3.5-inch) SC Midline 1yr Wty Hard Drive/S-Buy	658071-S21
<b>6G SATA Non-Hot Plug LFF (3.5-inch) Midline (MDL) Drives</b>	
HP 3TB 6G SATA 7.2K rpm LFF (3.5-inch) Non-hot plug Midline 1yr Warranty Hard Drive	628065-B21
HP 2TB 6G SATA 7.2K rpm LFF (3.5-inch) Non-hot plug Midline 1yr Warranty Hard Drive	659339-B21
HP 1TB 6G SATA 7.2K rpm LFF (3.5-inch) Non-hot plug Midline 1yr Warranty Hard Drive	659337-B21
HP 500GB 6G SATA 7.2K rpm LFF (3.5-inch) Non-hot plug Midline 1yr Warranty Hard Drive	659341-B21

**NOTE: SATA hard drives have a 1-year warranty. Please see the QuickSpecs for Technical Specifications and additional information:**  
[http://h18000.www1.hp.com/products/quickspecs/13021\\_na/13021\\_na.html](http://h18000.www1.hp.com/products/quickspecs/13021_na/13021_na.html)



### Core Options

#### **12G SAS High Endurance Hot Plug SFF (2.5-inch) Enterprise Performance Solid State Drives**

HP 800GB 12G SAS High Endurance SFF 2.5-in SC Enterprise Performance 3yr Wty Solid State Drive 741159-B21

**NOTE:** This drive supports Gen8 servers only.

HP 400GB 12G SAS High Endurance SFF 2.5-in SC Enterprise Performance 3yr Wty Solid State Drive 741155-B21

**NOTE:** This drive supports Gen8 servers only.

HP 200GB 12G SAS High Endurance SFF 2.5-in SC Enterprise Performance 3yr Wty Solid State Drive 741151-B21

**NOTE:** This drive supports Gen8 servers only.

#### **12G SAS Mainstream Endurance Hot Plug SFF (2.5-inch) Enterprise Mainstream Solid State Drives**

HP 800GB 12G SAS Mainstream Endurance SFF 2.5-in SC Enterprise Mainstream 3yr Wty Solid State Drive 741146-B21

**NOTE:** This drive supports Gen8 servers only.

HP 400GB 12G SAS Mainstream Endurance SFF 2.5-in SC Enterprise Mainstream 3yr Wty Solid State Drive 741142-B21

**NOTE:** This drive supports Gen8 servers only.

HP 200GB 12G SAS Mainstream Endurance SFF 2.5-in SC Enterprise Mainstream 3yr Wty Solid State Drive 741138-B21

**NOTE:** This drive supports Gen8 servers only.

#### **6G SATA Value Endurance Hot Plug LFF (3.5-inch) Enterprise Boot Solid State Drives**

HP 120GB 6G SATA Value Endurance LFF 3.5-in SC Enterprise Boot 3yr Wty Solid State Drive 718171-B21

HP 80GB 6G SATA Value Endurance LFF 3.5-in SC Enterprise Boot 3yr Wty Solid State Drive 734362-B21

#### **6G SATA Value Endurance Hot Plug SFF (2.5-inch) Enterprise Value Solid State Drives**

HP 600GB 6G SATA Value Endurance SFF 2.5-in SC Enterprise Value 3yr Wty Solid State Drive 739898-B21

HP 300GB 6G SATA Value Endurance SFF 2.5-in SC Enterprise Value 3yr Wty Solid State Drive 739888-B21

#### **6G SATA Value Endurance Hot Plug LFF (3.5-inch) Enterprise Value Solid State Drives**

HP 800GB 6G SATA Value Endurance LFF 3.5-in SC Enterprise Value 3yr Wty Solid State Drive 718189-B21

HP 600GB 6G SATA Value Endurance LFF 3.5-in SC Enterprise Value 3yr Wty Solid State Drive 739900-B21

HP 480GB 6G SATA Value Endurance LFF 3.5-in SC Enterprise Value 3yr Wty Solid State Drive 718183-B21

HP 300GB 6G SATA Value Endurance LFF 3.5-in SC Enterprise Value 3yr Wty Solid State Drive 739890-B21

HP 240GB 6G SATA Value Endurance LFF 3.5-in SC Enterprise Value 3yr Wty Solid State Drive 718177-B21

#### **6G SATA ME Hot Plug SFF (2.5-inch) Enterprise Mainstream Solid State Drives**

HP 800GB 6G SATA Mainstream Endurance SFF 2.5-in SC Enterprise Mainstream 3yr Wty Solid State Drive 691868-B21

HP 400GB 6G SATA Mainstream Endurance SFF 2.5-in SC Enterprise Mainstream 3yr Wty Solid State Drive 691866-B21

### Core Options

Wty Solid State Drive	
HP 200GB 6G SATA Mainstream Endurance SFF 2.5-in SC Enterprise Mainstream 3yr Wty Solid State Drive	691864-B21
HP 100GB 6G SATA Mainstream Endurance SFF 2.5-in SC Enterprise Mainstream 3yr Wty Solid State Drive	691862-B21
<b>6G SATA ME Hot Plug LFF (3.5-inch) Enterprise Mainstream Solid State Drives</b>	
HP 800GB 6G SATA Mainstream Endurance LFF 3.5-in SC Enterprise Mainstream 3yr Wty Solid State Drive	691860-B21
HP 400GB 6G SATA Mainstream Endurance LFF 3.5-in SC Enterprise Mainstream 3yr Wty Solid State Drive	691856-B21
HP 200GB 6G SATA Mainstream Endurance LFF 3.5-in SC Enterprise Mainstream 3yr Wty Solid State Drive	691854-B21
HP 100GB 6G SATA Mainstream Endurance LFF 3.5-in SC Enterprise Mainstream 3yr Wty Solid State Drive	691852-B21
<b>NOTE:</b> Please see the QuickSpecs for Technical Specifications and additional information: <a href="http://h18000.www1.hp.com/products/quickspecs/14038_na/14038_na.html">http://h18000.www1.hp.com/products/quickspecs/14038_na/14038_na.html</a>	
<b>Hard Drive Kits</b>	
<b>NOTE:</b> All Factory Integrated Models will be populated with sufficient hard drive blanks based on the number of initial hard drives ordered with the server.	
HP 2nd Media Bay Cage Kit	661618-B21
HP 5U 6 Large Form Factor (LFF) Hot Plug Drive Cage Kit	659485-B21
<b>NOTE:</b> This kit is for additional hot-plug LFF hard disk drives to a hot-plug LFF system. 1 or 2 additional cages can be added to bring the total drive count to 12 or 18, respectively. A Smart Array Controller is required for each additional drive cage and must be purchased as well.	
<b>NOTE:</b> To install a six-bay, LFF hot-plug drive cage in a server, a Smart array controller option and redundant power supply option is required.	
HP 5U 8 Small Form Factor (SFF) Hot Plug Drive Cage Kit	659484-B21
<b>NOTE:</b> This kit is for additional hot-plug SFF hard disk drives to a hot-plug SFF system. 1 or 2 additional cages can be added to bring the total drive count to 16 or 24, respectively. A Smart Array Controller is required for each additional drive cage and must be purchased as well.	
HP ML350e Gen8 Large Form Factor (LFF) 5/6 Hard Drive Cable Kit	684527-B21
<b>NOTE:</b> This cable is required for upgrade from 4 LFF hot plug models to 6 LFF hot plug models. A SAS controller needs to be purchased as well.	
HP Large Form Factor Hard Drive Blank Kit	666986-B21
HP Small Form Factor Hard Drive Blank Kit	666987-B21

### HP Networking

#### Gigabit Ethernet adapters

HP NC112T PCI Express Gigabit Server Adapter	503746-B21
HP NC365T 4-port Ethernet Server Adapter	593722-B21
HP Ethernet 1Gb 4-port 331T Adapter	647594-B21
HP Ethernet 1Gb 2-port 332T Adapter	615732-B21
HP Ethernet 1Gb 2-port 361T Adapter	652497-B21

#### 10 Gigabit Ethernet adapters

HP NC523SFP 10Gb 2-port Server Adapter	593717-B21
HP NC552SFP 10Gb 2-port Ethernet Server Adapter	614203-B21
HP Ethernet 10Gb 2-port 530SFP Adapter	652503-B21

### Core Options

HP Ethernet 10Gb 2-port 530T Adapter	656596-B21
HP Ethernet 10Gb 2-port 560SFP+ Adapter	665249-B21
HP Ethernet 10Gb 2-port 561T Adapter	716591-B21

**NOTE:** Please see the QuickSpecs for Technical Specifications and additional information: [www.hp.com/go/ProLiantNICs](http://www.hp.com/go/ProLiantNICs)

### HP Power Supplies

**NOTE:** Mixing of power supplies in the same server is not supported. All power supplies inside a server must be exactly the same model.

**NOTE:** Prior to making a power supply selection it is highly recommended that the HP Power Advisor is run to determine the right size power supply for your server configuration. The HP Power Advisor is located at: [www.hp.com/go/hppoweradvisor](http://www.hp.com/go/hppoweradvisor).

#### HP Common Slot Platinum Plus Power Supply Kits

**NOTE:** The following Power Supplies offer 94% Efficiency with support for Intelligent Power Discovery.

HP 460W Common Slot Platinum Plus Hot Plug Power Supply Kit	656362-B21
HP 750W Common Slot Platinum Plus Hot Plug Power Supply Kit	656363-B21

#### Enablement Kit

HP Redundant Enablement Kit	664046-B21
-----------------------------	------------

**NOTE:** Redundant Enablement Kit (part # 664046-B21) is required for any common slot power supply.

**NOTE:** Power Specification and Technical Content for supported power supplies can be found at:

[http://h18000.www1.hp.com/products/quickspecs/14209\\_na/14209\\_na.html](http://h18000.www1.hp.com/products/quickspecs/14209_na/14209_na.html)

### Additional Options

**NOTE:** Some options may not be integrated at the factory. To ensure only valid configurations are ordered, HP recommends the use of an HP approved configurator. Contact your local sales representative for additional information.

#### HP Insight Software

##### HP Insight Control

HP Insight Control including 1yr 24x7 Technical Support and Updates Single Server License C6N27A

HP Insight Control Server Provisioning Media Kit BD883A

HP Insight Management Media Kit C6N31A

**NOTE:** Electronic and Flexible-Quantity licenses can be used to purchase multiple licenses with a single activation key.

**NOTE:** Customer will receive a license entitlement certificate. The license entitlement certificate must be redeemed online or via fax in order to obtain the license activation key(s). Includes one year of 24 x 7 HP Software Technical Support and Update Service.

**NOTE:** Licenses ship without media. The HP Insight Control Media Kit can be ordered separately, or can be downloaded at: <http://www.hp.com/go/insightupdates>.

**NOTE:** For additional license options please see the QuickSpecs at: [http://h18000.www1.hp.com/products/quickspecs/12631\\_na/12631\\_na.html](http://h18000.www1.hp.com/products/quickspecs/12631_na/12631_na.html)

##### HP Integrated Lights-Out (iLO)

##### HP iLO Essentials

HP Integrated Lights-Out Essentials including 3yr 24x7 Tech Support and Updates Single Svr License BD774A

HP Integrated Lights-Out Essentials including 1yr 24x7 Tech Support and Updates Single Svr License BD775A

##### HP Integrated Lights-Out (iLO) Advanced for ProLiant

HP iLO Advanced including 1yr 24x7 Technical Support and Updates Electronic License TA850AAE

HP iLO Advanced Electronic License with 3yr 24x7 Tech Support and Updates BD506AAE

HP iLO Advanced including 1yr 24x7 Technical Support and Updates Single Server License 512485-B21

HP iLO Advanced 1 Server License with 3yr 24x7 Tech Support and Updates BD505A

**NOTE:** For additional license options please see the QuickSpecs at:

[http://h18004.www1.hp.com/products/quickspecs/14276\\_na/14276\\_na.html](http://h18004.www1.hp.com/products/quickspecs/14276_na/14276_na.html)

**NOTE:** For more information, visit: <http://www.hp.com/go/ilo>.

#### High Performance Clusters

##### HP Insight Cluster Management Utility

HP Insight Cluster Management Utility 1yr 24x7 Flexible License QL803B

HP Insight Cluster Management Utility for ConvergedSystem 3yr 24x7 Flexible License G2E81A

HP Insight Cluster Management Utility 3yr 24x7 Flexible License BD476A

**NOTE:** These part numbers can be used to purchase one certificate for multiple licenses and support with a single activation key. Each license is for one node (server). Customer will receive a printed end user license agreement and license entitlement certificate via physical shipment. The license entitlement certificate must be redeemed online in order to obtain a license key. Customer also will receive a support agreement.

HP Insight Cluster Management Utility Media BD477A

**NOTE:** For additional license kits please see the QuickSpecs at:

[http://h18004.www1.hp.com/products/quickspecs/12612\\_na/12612\\_na.html](http://h18004.www1.hp.com/products/quickspecs/12612_na/12612_na.html)

### Additional Options

<b>HP Security</b>	<p>HP Trusted Platform Module Option <span style="float: right;">488069-B21</span></p> <p><b>NOTE:</b> The TPM (Trusted Platform Module) is a microcontroller chip that can securely store artifacts used to authenticate the server platform. These artifacts can include passwords, certificates and encryption keys. Windows® BitLocker™ Drive Encryption (BitLocker) is a data protection feature available in Windows Server® 2008. BitLocker leverages the enhanced security capabilities of a Trusted Platform Module (TPM) version 1.2. The TPM works with BitLocker to help protect user data and to ensure that a server running Windows Server 2008 has not been tampered with while the system was offline. For more information about TPM, including a white paper, go to: <a href="http://www.hp.com/go/TPM">www.hp.com/go/TPM</a>.</p> <p><b>NOTE:</b> ProLiant OS pre-installed units will come with the partition required for TPM deployment.</p> <p><b>NOTE:</b> The TPM key is unique to every TPM deployed server and must be retained. Misplacing or losing the key could result in data loss.</p>
	<p>HP Security Bezel Kit <span style="float: right;">660584-B21</span></p> <p><b>NOTE:</b> For restricting access to rack models only. Tower to Rack Conversion Tray kit (part # 665939-B21 needs to be purchased).</p>

### HP Storage Controllers

#### SAS Controllers

##### HP Smart Array P222 Controller

HP Smart Array P222/512 FBWC 6Gb 1-port Int/1-port Ext SAS Controller 631667-B21

##### HP Smart Array P420 Controller

HP Smart Array P420/2GB FBWC 6Gb 2-ports Int SAS Controller 631671-B21

HP Smart Array P420/1GB FBWC 6Gb 2-ports Int SAS Controller 631670-B21

##### HP Smart Array P421 Controller

HP Smart Array P421/2GB FBWC 6Gb 2-ports Ext SAS Controller 631674-B21

HP Smart Array P421/1GB FBWC 6Gb 2-ports Ext SAS Controller 631673-B21

##### HP Smart Array P822 Controller

HP Smart Array P822/2GB FBWC 6Gb 2-ports-Int/4-ports Ext SAS Controller 615418-B21

**NOTE:** Please note that this platform can support only one (1) P822 controller. This controller can only be installed in expansion slot#2.

#### Optional Upgrades

HP 2GB P-series Smart Array Flash Backed Write Cache 631681-B21

HP 512MB B-series 36 inch Dynamic Smart Array Flash Backed Write Cache for ML/DL 631922-B21

HP SmartCache No Media 24x7 Technical Support 1 Svr License D7S26A

HP SmartCache No Media 24x7 Technical Support Flexible License D7S27A

HP SmartCache No Media 24x7 Technical Support Electronic License D7S27AAE

**NOTE:** Please see the QuickSpecs for Technical Specifications and additional information:

[http://h18000.www1.hp.com/products/quickspecs/14227\\_na/14227\\_na.html](http://h18000.www1.hp.com/products/quickspecs/14227_na/14227_na.html)  
(Smart Array P222 Controller)

[http://h18000.www1.hp.com/products/quickspecs/14228\\_na/14228\\_na.html](http://h18000.www1.hp.com/products/quickspecs/14228_na/14228_na.html)  
(Smart Array P420 Controller)

[http://h18000.www1.hp.com/products/quickspecs/14229\\_na/14229\\_na.html](http://h18000.www1.hp.com/products/quickspecs/14229_na/14229_na.html)  
(Smart Array P421 Controller)

[http://h18000.www1.hp.com/products/quickspecs/14624\\_na/14624\\_na.html](http://h18000.www1.hp.com/products/quickspecs/14624_na/14624_na.html)  
(Smart Array P430 Controller)

[http://h18000.www1.hp.com/products/quickspecs/14744\\_na/14744\\_na.html](http://h18000.www1.hp.com/products/quickspecs/14744_na/14744_na.html)  
(Smart Array P830 Controller)

#### HP Host Bus Adapters

### Additional Options

HP H220 Host Bus Adapter	650933-B21
HP H221 PCIe 3.0 SAS Host Bus Adapter	729552-B21
HP H222 Host Bus Adapter	650926-B21

**NOTE:** Please see the QuickSpecs for Technical Specifications and additional information:  
[http://h18004.www1.hp.com/products/quickspecs/14336\\_na/14336\\_na.html](http://h18004.www1.hp.com/products/quickspecs/14336_na/14336_na.html)  
 (HBA 220)  
[http://h18004.www1.hp.com/products/quickspecs/14222\\_na/14222\\_na.html](http://h18004.www1.hp.com/products/quickspecs/14222_na/14222_na.html)  
 (HBA 221)  
[http://h18004.www1.hp.com/products/quickspecs/14337\\_na/14337\\_na.html](http://h18004.www1.hp.com/products/quickspecs/14337_na/14337_na.html)  
 (HBA 222)

#### SCSI HBA

HP SC11Xe Ultra320 Single Channel/ PCIe x4 SCSI Host Bus Adapter	412911-B21
--	------------

**NOTE:** Supports external drive attach.  
**NOTE:** Please see the following QuickSpecs for additional information:  
[http://h18000.www1.hp.com/products/quickspecs/12566\\_na/12566\\_na.html](http://h18000.www1.hp.com/products/quickspecs/12566_na/12566_na.html)

### HP Tape Backup

**NOTE:** For the complete range of tape drives, autoloaders, libraries and media see: <http://www.hp.com/go/tape>. For hardware and software compatibility of HP tape backup products see: <http://www.hp.com/storage/SPOCK> and [www.hp.com/go/ebs](http://www.hp.com/go/ebs).  
**NOTE:** Installation of tape drive requires ordering of 2nd Media Bay Cage, Part Number 661618-B21.

HP StoreEver DAT 160 SCSI Internal Tape Drive	Q1573B
HP StoreEver LTO-5 Ultrium 3000 SAS External Tape Drive	EH958B
HP StoreEver LTO-6 Ultrium 6250 Tape Drive in 1U Rack-mount Kit	C0L99A
HP StoreEver LTO-6 Ultrium 6650 SAS Internal Tape Drive	EH963A
HP StoreEver LTO-6 Ultrium 6650 SAS External Tape Drive	EH964A
HP StoreEver LTO-6 Ultrium 6250 Internal Tape Drive	EH969A
HP StoreEver LTO-6 Ultrium 6250 External Tape Drive	EH970A
HP StoreEver 1/8 G2 LTO-6 Ultrium 6250 FC Tape Autoloader	C0H19A

### HP Tape Storage Systems

<b>HP StoreEver MSL6480</b>	
HP StoreEver MSL6480 Scalable Base Module	QU625A

**NOTE:** Please see the QuickSpecs for Technical Specifications and additional information:  
[http://h18000.www1.hp.com/products/quickspecs/14604\\_na/14604\\_na.html](http://h18000.www1.hp.com/products/quickspecs/14604_na/14604_na.html)

### HP Disk Backup

**NOTE:** For the complete range of RDX drives and media see: <http://www.hp.com/go/rdx>. For hardware and software compatibility of HP disk backup products see: <http://www.hp.com/storage/SPOCK>.

#### HP RDX Removable Disk Backup System

HP RDX320 USB3.0 External Disk Backup System	B7B63A
HP RDX500 USB3.0 Internal Disk Backup System	B7B64A
HP RDX500 USB3.0 External Disk Backup System	B7B66A
HP RDX1000 USB3.0 Internal Disk Backup System	B7B67A
HP RDX1000 USB3.0 External Disk Backup System	B7B69A

**NOTE:** Please see the QuickSpecs for additional part numbers, Technical Specifications, and additional information:  
[http://h18000.www1.hp.com/products/quickspecs/13036\\_na/13036\\_na.html](http://h18000.www1.hp.com/products/quickspecs/13036_na/13036_na.html)

### Additional Options

#### HP Disk Storage Systems Disk Enclosures

HP D2600 w/12 4TB 6G SAS 7.2K LFF Dual Port MDL HDD 48TB Bundle	E7W32A
<b>NOTE:</b> Please see the <a href="#">QuickSpecs for Technical Specifications and additional information:</a> <a href="http://h18000.www1.hp.com/products/quickspecs/13404_na/13404_na.html">http://h18000.www1.hp.com/products/quickspecs/13404_na/13404_na.html</a>	
HP D6000 w/70 4TB 6G SAS 7.2K LFF Dual Port MDL HDD 280TB Bundle	E7W31A
HP D6000 w/35 4TB 6G SAS 7.2K LFF Dual Port MDL HDD 140TB Bundle	E7W30A
HP D6000 w/70 3TB 6G SAS 7.2K LFF Dual port MDL HDD 210TB Bundle	QQ700A
HP D6000 w/35 3TB 6G SAS 7.2K LFF Dual port MDL HDD 105TB Bundle	QQ699A
HP D6000 w/70 2TB 6G SAS 7.2K LFF Dual port MDL HDD 140TB Bundle	QQ698A
HP D6000 w/35 2TB 6G SAS 7.2K LFF Dual port MDL HDD 70TB Bundle	QQ697A
HP D6000 Dual I/O Module Disk Enclosure	QQ695A
<b>NOTE:</b> Please see the <a href="#">QuickSpecs for additional part numbers, Technical Specifications, and additional information:</a> <a href="http://h18000.www1.hp.com/products/quickspecs/14419_na/14419_na.html">http://h18000.www1.hp.com/products/quickspecs/14419_na/14419_na.html</a>	

#### HP Storage Options

##### Converged Network Adapter

HP CN1000Q Dual Port Converged Network Adapter	BS668A
HP CN1100E Dual Port Converged Network Adapter	BK835A
HP StoreFabric CN1100R Dual Port Converged Network Adapter	QW990A

#### HP Uninterruptible Power Systems

##### HP Tower UPS

###### HP T1500 G3 UPS Models

HP T1500 G3 1400VA NA Tower Uninterruptible Power System	AF450A
--	--------

###### HP T1000 G3 UPS Models

HP T1000 G3 1000VA NA Tower Uninterruptible Power System	AF448A
--	--------

**NOTE:** Please see the [QuickSpecs for additional information:](#)

[http://h18000.www1.hp.com/products/quickspecs/13160\\_na/13160\\_na.html](http://h18000.www1.hp.com/products/quickspecs/13160_na/13160_na.html)

##### HP Rack-mountable UPS

###### HP R1500 G3 Uninterruptible Power Supply (UPS)

HP R1.5kVA G3 1U NA Uninterruptible Power System	AF469A
--	--------

**NOTE:** Please see the [QuickSpecs for additional information:](#)

[http://h18000.www1.hp.com/products/quickspecs/14059\\_na/14059\\_na.html](http://h18000.www1.hp.com/products/quickspecs/14059_na/14059_na.html)

###### HP R/T3000 G2 Uninterruptible Power System (UPS)

HP R/T3000 G2 2U L530 Low Voltage NA/JP Uninterruptible Power System	AF466A
--	--------

HP R/T3000 G2 2U L620 High Voltage NA/JP Uninterruptible Power System	AF467A
---	--------

**NOTE:** Please see the [QuickSpecs for additional information:](#)

[http://h18000.www1.hp.com/products/quickspecs/14058\\_na/14058\\_na.html](http://h18000.www1.hp.com/products/quickspecs/14058_na/14058_na.html)

###### R5000 Uninterruptible Power System (UPS)

HP R5KVA 3U L630 High Voltage NA/JP Uninterruptible Power System	AF460A
--	--------

**NOTE:** Please see the [QuickSpecs for additional information:](#)

[http://h18000.www1.hp.com/products/quickspecs/14109\\_na/14109\\_na.html](http://h18000.www1.hp.com/products/quickspecs/14109_na/14109_na.html)

###### R7000 Uninterruptible Power System (UPS)

HP R7KVA 4U 50A High Voltage NA/JP Uninterruptible Power System	AF462A
---	--------

**NOTE:** Please see the [QuickSpecs for additional information:](#)

[http://h18000.www1.hp.com/products/quickspecs/14110\\_na/14110\\_na.html](http://h18000.www1.hp.com/products/quickspecs/14110_na/14110_na.html)

**NOTE:** For additional information on HP Uninterruptible Power Systems please go to:

### Additional Options

[www.hp.com/servers/rackups](http://www.hp.com/servers/rackups).

**NOTE:** For additional information on sizing your server, please reference: <http://www.upssizer.com>.

**NOTE:** Please see the UPS and PDU cable matrix's on the HP Power Protection and Management page. Under Power Cords, click on the "HP Power Cord Matrix" link. That link will list cable descriptions, requirements, and specifications for UPS and PDU units. Please see the following link: [www.hp.com/products/powercords](http://www.hp.com/products/powercords).

<b>HP Basic Power Distribution Units (bPDU)</b>	<b>HP Basic Power Distribution Unit: 1U/OU Version</b>	
	HP 1.9kVA 120 Volt L5-20 Input (12xNEMA 5-20R) NA/JP Basic PDU	H5M54A
	HP 3.6kVA 200-240 Volt Detachable C20 Input ( 12xC13) WW Basic PDU	H5M56A
	<b>HP Basic Power Distribution Unit: Half Height Version</b>	
	HP 2.8kVA 120 Volt L5-30 Input (18xNEMA 5-20R) NA/JP Basic PDU	H5M55A
	HP 3.6kVA 200-240 Volt Detachable C20 Input (18xC13) WW Basic PDU	H5M57A
	HP 4.9kVA 208 Volt L6-30 Input (20xC13) NA/JP Basic PDU	H5M58A
	HP 8.6kVA 208 Volt L15-30 3-Phase Input (18xC13) NA/JP Basic PDU	H5M61A
	<b>HP Basic Power Distribution Unit: Mid Height Version</b>	
	HP 4.9kVA 208 Volt L6-30 Input (24xC13/6xC19) NA/JP Basic PDU	H5M59A
	HP 8.3kVA 208 Volt CS8265C Input (30xC13/6xC19) NA/JP Basic PDU	H5M60A
	HP Hardwired 200-240 Volt Input (30xC13/6xC19) WW Basic PDU	H5M75A
	HP 5.7kVA 208 Volt L21-20 3-Phase Input (24xC13/3xNEMA 5-20R) NA/JP Basic PDU	H5M63A
	HP 8.6kVA 208 Volt L21-30 3-Phase Input (24xC13/3xC19/3xNEMA 5-20R) NA/JP Basic PDU	H5M64A
	HP 8.6kVA 208 Volt L15-30 3-Phase Input (24xC13/6xC19) NA/JP Basic PDU	H5M62A
<b>HP Basic Power Distribution Unit: Full Height Version</b>		
HP 11kVA 400 Volt IEC309 30A 3-Phase Input (36xC13/6xC19) NA Basic PDU	H5M67A	
<b>HP Basic Power Distribution Unit: 480/277 Volt Version</b>		
HP 13.2kVA 480 Volt IEC309 30A 3-Phase Input (15 Outlet) NA Basic PDU	H3X07A	
HP 19.9kVA 480 Volt IEC309 30A 3-Phase Input (30 Outlet) NA Basic PDU	H3X08A	
HP 800VA - 277V Input / 230V Output NA Rack Mount Transformer	H3X09A	
<b>NOTE:</b> Please see the QuickSpecs for Technical Specifications and additional information: <a href="http://h18000.www1.hp.com/products/quickspecs/14557_na/14557_na.html">http://h18000.www1.hp.com/products/quickspecs/14557_na/14557_na.html</a>		
<b>NOTE:</b> Additional HP Power Distribution Units are available. For a complete list of all HP PDUs and additional information please visit <a href="http://www.hp.com/go/rackandpower">www.hp.com/go/rackandpower</a> .		

<b>HP Remote Monitoring Power Distribution Units (mPDU)</b>	<b>HP Remote Monitored Power Distribution Unit: 1U Version</b>	
	HP 2.8kVA 120 Volt L5-30 Input (12xNEMA 5-20R)NA/JP Monitored PDU	D9N43A
	HP 3.6kVA 200-240 Volt Detachable C20 Input (12xC13) WW Monitored PDU	D9N46A
	HP 4.9kVA 208 Volt L6-30 Input (12xC13) NA/JP Monitored PDU	D9N44A
	<b>HP Remote Monitored Power Distribution Unit: Half Height Version</b>	
	HP 3.6kVA 200-240 Volt Detachable C20 Input (16xC13) WW Monitored PDU	D9N45A
	<b>HP Remote Monitored Power Distribution Unit: Mid Height Version</b>	
	HP 4.9kVA 208 Volt L6-30 Input (20xC13/4xC19) NA/JP Monitored PDU	D9N47A
	HP 8.6kVA 208 Volt L15-30 3-Phase Input (18xC13/3xC19) NA/JP Monitored PDU	D9N51A
	HP 5.7kVA 208 Volt L21-20 3-Phase Input (18xC13/3xNEMA 5-20R) NA/JP Monitored PDU	D9N52A



### Additional Options

HP 8.6kVA 208 Volt L21-30 3-Phase Input (20xC13/3xC19/3xNEMA 5-20R) NA/JP Monitored PDU	D9N53A
<b>HP Remote Monitored Power Distribution Unit: Full Height Version</b>	
HP 8.3kVA 208 Volt CS8265C Input (30xC13/3xC19) NA Monitored PDU	D9N49A
HP 14.4kVA 208 Volt CS8365C 3-Phase Input (12xC13/12xC19)NA Monitored PDU	D9N58A
HP 16.6kVA 400 Volt IEC309 30A 3-Phase Input (30xC13/3xC19) NA Monitored PDU	D9N61A
HP 16.6kVA 400 Volt IEC309 30A 3-Phase Input (12xC13/12xC19) NA Monitored PDU	D9N62A
HP 17.3kVA 208 Volt IEC309 60A 3-Phase Input (24xC13/3xC19) NA/JP Monitored PDU	D9N54A
HP 17.3kVA 208 Volt IEC309 60A 3-Phase Input (12xC13/12xC19) NA/JP Monitored PDU	D9N59A
HP 17.3kVA 208 Volt IEC309 60A 3-Phase Watertight Input (12xC13/12xC19) NA/JP Monitored PDU	G9Z07A
HP 19.9kVA 480 Volt 3-Phase (30 Outlet) NA Monitored PDU	D9N63A
HP 22kVA 400 Volt IEC309 32A 3-Phase Watertight Input (12xC13/12xC19) INTL Monitored PDU	G9Z08A
<b>HP Environmental Sensor for Remote Monitored PDUs</b>	
HP Environmental Sensor for Remote Monitored PDUs	E2D53A
<b>NOTE:</b> Please see the QuickSpecs for additional information: <a href="http://h18000.www1.hp.com/products/quickspecs/14669_na/14669_na.html">http://h18000.www1.hp.com/products/quickspecs/14669_na/14669_na.html</a>	

### HP Intelligent Power Distribution Units (iPDU)

#### iPDU Core Units

HP 4.9kVA 24A Single Phase NA/JP Core Intelligent Modular Power Distribution Unit	AF520A
HP 8.3kVA 40A Single Phase NA/JP Core Intelligent Modular Power Distribution Unit	AF521A
HP 8.6kVA 24A Three Phase NA/JP Core Intelligent Modular Power Distribution Unit	AF522A
HP 14.4kVA 40A Three Phase NA/JP Intelligent Modular Power Distribution Unit	AF533A
HP 17.3kVA 48A Three Phase NA/JP Core Intelligent Modular Power Distribution Unit	AF523A
HP 17.3kVA 24A 415V Three Phase L22-30 NA Core Intelligent Power Distribution Unit	AF902A
HP 17.3kVA 48A 208V Three Phase 12 Outlet Core NA/JP Intelligent Power Distribution Unit	AF535A
HP 17.3kVA 24A 415V Three Phase 12 Outlet Core NA/JP Intelligent Power Distribution Unit	AF537A

#### iPDU Kits with Standard Extension Bars

HP 4.9kVA 24A Single Phase NA/JP Intelligent Modular Power Distribution Kit	AF531A
HP 8.6kVA 24A Three Phase NA/JP Intelligent Modular Power Distribution Kit	AF532A

#### iPDU Extension Bars

HP 5xC13 Intelligent PDU Extension Bar G2 Kit	AF547A
HP 5xC13 Outlets Power and UID LEDs Pair Standard Extension Bar	AF528A

**NOTE:** Please see the QuickSpecs for Technical Specifications and additional information:

[http://h18000.www1.hp.com/products/quickspecs/13650\\_na/13650\\_na.html](http://h18000.www1.hp.com/products/quickspecs/13650_na/13650_na.html)

**NOTE:** Additional HP Power Distribution Units are available. For a complete list of all HP PDUs and additional information please visit: [www.hp.com/go/rackandpower](http://www.hp.com/go/rackandpower).

### HP Rack Series

#### HP Intelligent Series Rack

HP 636 1075mm Pallet Intelligent Series Rack	BW895A
HP 636 1075mm Shock Intelligent Series Rack	BW896A

### Additional Options

HP 642 1075mm Pallet Intelligent Series Rack	BW903A
HP 642 1075mm Shock Intelligent Series Rack	BW904A
HP 647 1075mm Pallet Intelligent Series Rack	BW911A
HP 647 1075mm Shock Intelligent Series Rack	BW912A

**NOTE:** Please see the QuickSpecs for Technical Specifications such as height, width, depth, weight, and color:

[http://h18000.www1.hp.com/products/quickspecs/14223\\_na/14223\\_na.html](http://h18000.www1.hp.com/products/quickspecs/14223_na/14223_na.html)

**NOTE:** For additional information regarding Rack Cabinets, please see the following URL: <http://www.hp.com/go/rackandpower>.

### HP Rack Options

#### HP Location Discovery Services

HP 36U Location Discovery Kit	BW945A
HP 42U Location Discovery Kit	BW946A
HP 47U Location Discovery Kit	BW947A

**NOTE:** Please see the QuickSpecs for Technical Specifications and additional information:

[http://h18000.www1.hp.com/products/quickspecs/14429\\_na/14429\\_na.html](http://h18000.www1.hp.com/products/quickspecs/14429_na/14429_na.html)

#### HP TFT7600 G2 KVM Console and Monitor (TFT7600 G2)

HP TFT7600 G2 KVM Console Rackmount Keyboard US Monitor	AZ870A
HP TFT7600 G2 KVM Console Rackmount Keyboard US TAA Monitor	AZ885A

**NOTE:** Please see the QuickSpecs for Technical Specifications and additional information:

[http://h18000.www1.hp.com/products/quickspecs/13731\\_na/13731\\_na.html](http://h18000.www1.hp.com/products/quickspecs/13731_na/13731_na.html)

#### HP USB Keyboard and Mouse

HP USB BFR with PVC Free US Keyboard/Mouse Kit	631341-B21
--	------------

**NOTE:** Please see the QuickSpecs for Technical Specifications and additional information:

[http://h18000.www1.hp.com/products/quickspecs/13792\\_na/13792\\_na.html](http://h18000.www1.hp.com/products/quickspecs/13792_na/13792_na.html)

#### HP Server Console Switches

HP Server Console 0x2x8 Port Analog Switch	AF616A
HP Server Console 0x2x16 Port Analog Switch	AF617A
HP TAA 0x2x16xKVM Server Console G2 Switch	AF626A
HP KVM Console USB Interface Adapter	AF628A

**NOTE:** Please see the QuickSpecs for Technical Specifications and additional information:

[http://h18000.www1.hp.com/products/quickspecs/11834\\_na/11834\\_na.html](http://h18000.www1.hp.com/products/quickspecs/11834_na/11834_na.html)

#### HP Server Console Switch G2 with Virtual Media & CAC

HP 0x2x16 KVM Server Console Switch G2 with Virtual Media CAC Software	AF618A
HP 0x2x32 KVM Server Console Switch G2 with Virtual Media CAC Software	AF619A
HP KVM Console USB 2.0 Virtual Media CAC Interface Adapter	AF629A
HP KVM CAT5 1-pack USB Interface Adapter	336047-B21

**NOTE:** Please see the QuickSpecs for Technical Specifications and additional information:

[http://h18000.www1.hp.com/products/quickspecs/13475\\_na/13475\\_na.html](http://h18000.www1.hp.com/products/quickspecs/13475_na/13475_na.html) (Worldwide)

#### HP IP Console Switch G2 with Virtual Media & CAC

HP 1x4 USB/PS2 KVM Console Switch	AF611A
HP 1x1Ex8 KVM IP Console Switch G2 with Virtual Media CAC Software	AF620A

### Additional Options

HP 2x1Ex16 KVM IP Console Switch G2 with Virtual Media CAC Software	AF621A
HP 4x1Ex32 KVM IP Console Switch G2 with Virtual Media CAC Software	AF622A

**NOTE:** Please see the [QuickSpecs for Technical Specifications and additional information:](#)  
[http://h18000.www1.hp.com/products/quickspecs/13474\\_na/13474\\_na.html](http://h18000.www1.hp.com/products/quickspecs/13474_na/13474_na.html)

#### Rack Kits

HP Tower to Rack Conversion Tray Kit	665939-B21
--------------------------------------	------------

### HP USB and SD Options

#### HP Flash Media Kits for USB Drives

HP 8GB USB Enterprise Mainstream Flash Media Drive Key Kit	737953-B21
--	------------

#### HP Enterprise Mainstream Flash Media Kits for Memory Cards

HP 8GB SD Enterprise Mainstream Flash Media Kit	726113-B21
HP 32GB SD Enterprise Mainstream Flash Media Kit	700136-B21

**NOTE:** Please see the [QuickSpecs for Technical Specifications and additional information:](#)  
[http://h18000.www1.hp.com/products/quickspecs/13971\\_na/13971\\_na.html](http://h18000.www1.hp.com/products/quickspecs/13971_na/13971_na.html)

### HP Care Pack Services

#### Proactive Care

**NOTE:** Collaborative Support plus Proactive services delivered by the onshore, local language Advanced Solution Center (ASC), end-to-end case ownership from a Technical Solution Specialists and Technical Account Manager who remotely delivers firmware/software revision management, proactive scans and incident trend reports. Recommended for customers running a virtualized infrastructure and/or customers who desire an enhanced call support experience.

HP 3 year 4 hour 24x7 ProLiant ML350e Proactive Care Service	U6C93E
HP 3 year 4 hour 24x7 with Defective Media Retention ProLiant ML350e Proactive Care Service	U6C94E
HP 3 year Next business day ProLiant ML350e Proactive Care Service	U6C85E
HP 3 year Next business day with Defective Media Retention ProLiant ML350e Proactive Care Service	U6C86E

#### Foundation Care

HP 3 year Next business day ProLiant ML350e Collaborative Support	U6C83E
HP 3 year Next business day with Defective Media Retention ProLiant ML350e Collaborative Support	U6C84E

#### Proactive Care Personalized Support Option

**NOTE:** To add an onsite Account Support Manager (ASM) to Proactive Care. ASM is an assigned resource who delivers support planning and brings technical expertise and best practices advices for the customer's environment.

HP 3 year ISS ProactiveCare Personalized Support	U6W98E
--	--------

#### Installation Services

**NOTE:** Reduce the time required to get your system up and running and help minimize disruptions to your business.

HP Install ProLiant ML350e Service	U6D41E
HP Startup ProLiant ML350e Service	U6D43E

**NOTE:** For more information, customer/resellers can contact:  
<http://www.hp.com/services/carepack>

### Memory

**NOTE:** Memory configurations listed do not apply to "Factory Integrated Models".

#### DDR3 memory population guidelines

For detailed memory configuration rules and guidelines, please use the Online DDR3 Memory Configuration Tool:

[www.hp.com/go/ddr3memory-configurator](http://www.hp.com/go/ddr3memory-configurator)

#### General Guidelines:

- White DIMM slots denote the first slot of a channel. For 1 DPC (DIMM per channel) populate white slots only.
- Install DIMMs only if the corresponding processor is installed.
- If only one processor is installed in a two processor system, only half of the DIMM slots are available.
- To maximize performance, balance the total memory capacity between all installed processors
  - Populate DIMMs from heaviest load (quad-rank) to lightest load (single-rank) within a channel
  - Heaviest load (DIMM with most ranks) within a channel goes furthest from the processor
- Do not mix UDIMMs, RDIMMs or LRDIMMs
- Quad rank LR DIMMs are supported at 3 DIMMs per channel.
- DIMMs of different voltages (1.35V & 1.5V) may be mixed in any order
  - The system will power them at the higher voltage
- DIMMs of different speed grades may be mixed in any order
  - The system will select a common optimal speed
- Memory speed is a function of the processor QPI bus speed.

#### Population Guidelines:

- There are three (3) channels per processor; six (6) channels per server
- There are two (2) DIMM slots for each memory channel; twelve (12) total slots
- Memory channel 1 consists of the two (2) DIMMs that are furthest from the processor
- Memory channel 3 consists of the two (2) DIMMs that are closest to the processor

DIMM slot/capacity/populated speed table													
DIMM Type ->	Registered DIMMS (RDIMMs)							Unbuffered with ECC DIMMs (UDIMMs)					
DIMM Rank ->	Single Rank (1R)			Dual Rank (2R)				Single Rank (1R)		Dual Rank (2R)			
DIMM Capacity ->	4GB	4GB	8GB	8GB	8GB	16GB	16GB	2GB	2GB	4GB	4GB	8GB	8GB
DIMM Native Speed (MHz) ->	1333	1600	1600	1333	1600	1333	1600	1333	1600	1333	1600	1333	1600
Voltage	LV	Std	Std	LV	Std	LV	Std	LV	Std	LV	Std	LV	Std
<b>SLOTS THAT CAN BE POPULATED</b>													
12 slot servers	12	12	12	12	12	12	12	12	12	12	12	12	12
<b>MAXIMUM CAPACITY (GB)*</b>													
12 slot servers	48	48	96	96	96	192	192	24	24	48	48	96	96
<b>POPULATED DIMM SPEED (MHz)</b>													
1 DIMM Per Channel	1333	1600	1600	1333	1600	1333	1600	1333	1600	1333	1600	1333	1600
2 DIMM Per Channel	1333	1600	1600	1333	1600	1333	1600	1333**	1600	1333**	1600	1333**	1600

Please note:

### Memory

Memory speed is a function of the processor QPI bus speed.

\* Maximum capacity will vary based on individual server platform qualification schedule

\*\* For HP SmartMemory, UDIMM is supported at 2DPC@DDR3-1333. Third party memory may only support up to 2DPC@DDR3-1066.

#### DIMM slot and configuration diagrams

##### Basic memory slot & population diagram

- Population order; start with "A" first, "B" second, "C" third, etc.

12 DIMM SLOTS (6 per CPU node)					
	Processor 1		Processor 2		
	slot #	population order	slot #	population order	
Chnl 1	6	A	1	A	Chnl 1
	5	D	2	D	
Chnl 2	4	B	3	B	Chnl 2
	3	E	4	E	
Chnl 3	2	C	5	C	Chnl 3
	1	F	6	F	

##### Standard memory configuration (1 CPU model) - Entry models

- 2GB, consisting of one (1) 2GB single-rank PC3L-10600E-9 UDIMM

	Processor 1		Processor 2		
	slot #	population order	slot #	population order	
Chnl 1	6	A; 2GB UDIMM	1	A; empty	Chnl 1
	5	D; empty	2	D; empty	
Chnl 2	4	B; empty	3	B; empty	Chnl 2
	3	E; empty	4	E; empty	
Chnl 3	2	C; empty	5	C; empty	Chnl 3
	1	F; empty	6	F; empty	

##### Standard memory configuration (1 CPU model) - Base models

- 4GB, consisting of one (1) 4GB dual-rank PC3L-10600E-9 UDIMM

	Processor 1		Processor 2		
	slot #	population order	slot #	population order	
Chnl 1	6	A; 4GB UDIMM	1	A; empty	Chnl 1
	5	D; empty	2	D; empty	
Chnl 2	4	B; empty	3	B; empty	Chnl 2

### Memory

	3	E; empty	4	E; empty	
Chnl 3	2	C; empty	5	C; empty	Chnl 3
	1	F; empty	6	F; empty	

#### Standard memory configuration (1 CPU model) - Performance models

- 8GB, consisting of two (2) 4GB dual-rank PC3L-10600E-9 UDIMMs

	Processor 1		Processor 2		
	slot #	population order	slot #	population order	
Chnl 1	6	A; 4GB UDIMM	1	A; empty	Chnl 1
	5	D; empty	2	D; empty	
Chnl 2	4	B; 4GB UDIMM	3	B; empty	Chnl 2
	3	E; empty	4	E; empty	
Chnl 3	2	C; empty	5	C; empty	Chnl 3
	1	F; empty	6	F; empty	

#### RDIMM maximum configuration (1 CPU model)

- 96GB, consisting of six (6) 16GB dual-rank PC3L-10600R-9 RDIMMs

	Processor 1		Processor 2		
	slot #	population order	slot #	population order	
Chnl 1	6	A; 16GB RDIMM	1	A; empty	Chnl 1
	5	D; 16GB RDIMM	2	D; empty	
Chnl 2	4	B; 16GB RDIMM	3	B; empty	Chnl 2
	3	E; 16GB RDIMM	4	E; empty	
Chnl 3	2	C; 16GB RDIMM	5	C; empty	Chnl 3
	1	F; 16GB RDIMM	6	F; empty	

#### UDIMM maximum configuration (1 CPU model)

- 48GB, consisting of six (6) 8GB dual-rank PC3L-10600E-9 UDIMMs

	Processor 1		Processor 2		
	slot #	population order	slot #	population order	
Chnl 1	6	A; 8GB RDIMM	1	A; empty	Chnl 1
	5	D; 8GB RDIMM	2	D; empty	
Chnl 2	4	B; 8GB RDIMM	3	B; empty	Chnl 2
	3	E; 8GB RDIMM	4	E; empty	

### Memory

Chnl 3	2	C; 8GB RDIMM	5	C; empty	Chnl 3
	1	F; 8GB RDIMM	6	F; empty	

#### RDIMM maximum configuration (2 CPU model)

- " 192GB, consisting of twenty (20) 16GB dual-rank PC3L-10600R-9 RDIMMs

	Processor 1		Processor 2		
	slot #	population order	slot #	population order	
Chnl 1	6	A; 16GB RDIMM	1	A; 16GB RDIMM	Chnl 1
	5	D; 16GB RDIMM	2	D; 16GB RDIMM	
Chnl 2	4	B; 16GB RDIMM	3	B; 16GB RDIMM	Chnl 2
	3	E; 16GB RDIMM	4	E; 16GB RDIMM	
Chnl 3	2	C; 16GB RDIMM	5	C; 16GB RDIMM	Chnl 3
	1	F; 16GB RDIMM	6	F; 16GB RDIMM	

#### UDIMM maximum configuration (2 CPU model)

- 96GB, consisting of twelve (12) 8GB dual-rank PC3L-10600E-9 UDIMMs

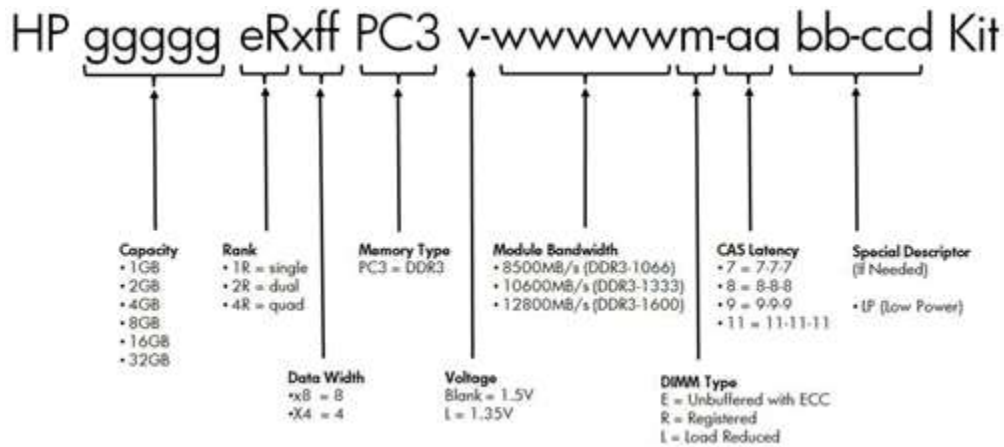
	Processor 1		Processor 2		
	slot #	population order	slot #	population order	
Chnl 1	6	A; 8GB RDIMM	1	A; 8GB RDIMM	Chnl 1
	5	D; 8GB RDIMM	2	D; 8GB RDIMM	
Chnl 2	4	B; 8GB RDIMM	3	B; 8GB RDIMM	Chnl 2
	3	E; 8GB RDIMM	4	E; 8GB RDIMM	
Chnl 3	2	C; 8GB RDIMM	5	C; 8GB RDIMM	Chnl 3
	1	F; 8GB RDIMM	6	F; 8GB RDIMM	

**NOTE:** Capacity references are rounded to the common Gigabyte values.

- 1GB = 1024MB
- 2GB = 2048MB
- 4GB = 4096MB
- 8GB = 8192MB
- 16GB = 16384MB

#### DDR3 memory options part number decoder

### Memory



**Following are memory options available from HP:**

**HP Memory**

**NOTE:** To realize the performance memory capabilities listed in this document, HP SmartMemory is required. For additional information, please see the HP SmartMemory QuickSpecs at:

[http://h18000.www1.hp.com/products/quickspecs/14225\\_na/14225\\_na.html](http://h18000.www1.hp.com/products/quickspecs/14225_na/14225_na.html)

**Registered DIMMs (RDIMMs) – E5-2xxx series Processors**

**NOTE:** Redundant Enablement Kit (part # 664046-B21) is required whenever Registered DIMM is purchased.

HP 4GB (1x4GB) Single Rank x4 PC3L-10600R (DDR3-1333) Registered CAS-9 Low Voltage Memory Kit	647893-B21
HP 4GB (1x4GB) Single Rank x4 PC3-12800R (DDR3-1600) Registered CAS-11 Memory Kit	647895-B21
HP 8GB (1x8GB) Dual Rank x4 PC3L-10600R (DDR3-1333) Registered CAS-9 Low Voltage Memory Kit	647897-B21
HP 8GB (1x8GB) Single Rank x4 PC3-12800R (DDR3-1600) Registered CAS-11 Memory Kit	647899-B21
HP 8GB (1x8GB) Dual Rank x4 PC3-12800R (DDR3-1600) Registered CAS-11 Memory Kit	690802-B21
HP 16GB (1x16GB) Dual Rank x4 PC3L-10600R (DDR3-1333) Registered CAS-9 Low Voltage Memory Kit	647901-B21
HP 16GB (1x16GB) Dual Rank x4 PC3-12800R (DDR3-1600) Registered CAS-11 Memory Kit	672631-B21

**Unbuffered with ECC DIMMs (UDIMM) for E5-2xxx and E3-1xxx v3 series Processors**

HP 2GB (1x2GB) Single Rank x8 PC3-12800E (DDR3-1600) Unbuffered CAS-11 Memory Kit	669320-B21
HP 2GB (1x2GB) Single Rank x8 PC3L-10600E (DDR3-1333) Unbuffered CAS-9 Low Voltage Memory Kit	647905-B21
HP 4GB (1x4GB) Dual Rank x8 PC3-12800E (DDR3-1600) Unbuffered CAS-11 Memory Kit	669322-B21
HP 4GB (1x4GB) Dual Rank x8 PC3L-10600E (DDR3-1333) Unbuffered CAS-9 Low Voltage Memory Kit	647907-B21
HP 8GB (1x8GB) Dual Rank x8 PC3-12800E (DDR3-1600) Unbuffered CAS-11 Memory Kit	669324-B21
HP 8GB (1x8GB) Dual Rank x8 PC3L-10600E (DDR3-1333) Unbuffered CAS-9 Low Voltage Memory Kit	647909-B21



### Memory

Voltage Memory Kit

**Load Reduced DIMMs (LRDIMMs)**

HP 32GB (1x32GB) Quad Rank x4 PC3L-10600L (DDR3-1333) Load Reduced CAS-9 Low Voltage Memory Kit 647903-B21

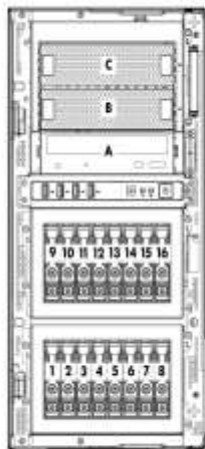
**NOTE:** All DDR3 memory option kits consist of one DIMM per kit. For detailed memory configuration rules and guidelines, please use the Online DDR3 Memory Configuration Tool: [www.hp.com/go/ddr3memory-configurator](http://www.hp.com/go/ddr3memory-configurator).

**NOTE:** Kits described as LP include Low Power DIMMs. For more information on ProLiant Energy Efficient Features, see: <http://h18004.www1.hp.com/products/servers/platforms/energyefficient/>

### Storage



- 1-12 12 x 3.5" (LFF) Hot-Plug SAS/SATA hard drive bays  
**NOTE:** Optional 2<sup>nd</sup> hard drive cage shown in configuration.
- A Optical Drive
- B-C Available half-height media bays, for up to two half-height optical/tape drives or a single, full-height tape drive.



- 1-16 16 x 2.5" (SFF) Hot-Plug SAS/SATA hard drive bays  
**NOTE:** Optional 2<sup>nd</sup> hard drive cage shown in configuration.
- A Optical Drive
- B-C Available half-height media bays, for up to two half-height optical/tape drives or a single, full height tape drive.

### Drive Support

#### External Storage

	Quantity Supported	Position Supported	Controller
D2600 Disk Enclosure	Up to 4	External	HP Smart Array P222/512MB FBWC Controller
	Up to 8	External	HP Smart Array P421/1GB FBWC Controller
			HP Smart Array P421/2GB FBWC Controller
D2700 Disk Enclosure	Up to 4	External	HP Smart Array P222/512MB FBWC Controller
	Up to 8	External	HP Smart Array P421/1GB FBWC Controller
			HP Smart Array P421/2GB FBWC Controller
			HP Smart Array P822/2GB FBWC Controller

#### Tape and Disk-Based Backup

**NOTE:** For the complete range of tape drives, autoloaders, libraries and media, including the internal fitting models, see:

### Storage

<http://www.hp.com/go/tape>. For the complete range of D2D Backup Systems see: <http://www.hp.com/go/d2d>. For the complete range of RDX drives and media see: <http://www.hp.com/go/rdx>. For hardware and software compatibility of HP disk and tape backup products see: <http://www.hp.com/storage/SPOCK>.

	<b>Position Supported</b>	<b>Controller</b>	<b>Controller/HBA Option Kit Part Number</b>
<b>HP SCSI Tape Drives</b> LTO-2 Ultrium 448 LTO-3 Ultrium 920 LTO4 Ultrium 1760 LTO-4 Ultrium 1840 DAT 72 DAT 160	Internal or External	HP SC11Xe Ultra320 Single Channel/ PCIe x4 SCSI Host Bus Adapter <b>NOTE:</b> Please check the full compatibility information at: <a href="http://www.hp.com/storage/SPOCK">http://www.hp.com/storage/SPOCK</a>	412911-B21
<b>HP SCSI Rack Mount Kits</b> 1U Rack-Mount Kit 3U Rack-Mount Kit	External	HP SC11Xe Ultra320 Single Channel/ PCIe x4 SCSI Host Bus Adapter	412911-B21
<b>HP USB Tape Drives</b> DAT 72 DAT 160	Internal or External	USB 2.0 Port	N/A
<b>HP USB Rack Mount Kits</b> 1U USB Rack-Mount Kit	External	USB 2.0 Port	
<b>HP SAS Tape Drives</b> DAT 160 LTO-2 Ultrium 448 LTO-3 Ultrium 920 LTO-4 Ultrium 1760 LTO-4 Ultrium 1840 LTO-5 Ultrium 3000 LTO-5 Ultrium 3280	Internal or External	HP Smart Array P222/512 FBWC 6Gb 1-port Int/1-port Ext SAS Controller <b>NOTE:</b> Please check the full compatibility information at: <a href="http://www.hp.com/storage/SPOCK">http://www.hp.com/storage/SPOCK</a>	631667-B21
<b>HP SCSI Tape Autoloaders</b> 1/8 G2 Autoloader	External	HP SC11Xe Ultra320 Single Channel/ PCIe x4 SCSI Host Bus Adapter	412911-B21
<b>HP SCSI Tape Libraries</b> MSL2024 MSL4048 MSL8096 MSL6000	External	HP SC11Xe Ultra320 Single Channel/ PCIe x4 SCSI Host Bus Adapter <b>NOTE:</b> Please check the full compatibility information at: <a href="http://www.hp.com/storage/SPOCK">http://www.hp.com/storage/SPOCK</a>	412911-B21
<b>HP SAS Tape Autoloaders and Libraries</b> 1/8 G2 Autoloader MSL2024 MSL4048 MSL8096	External	HP Smart Array P222/512 FBWC 6Gb 1-port Int/1-port Ext SAS Controller <b>NOTE:</b> Please check the full compatibility information at: <a href="http://www.hp.com/storage/SPOCK">http://www.hp.com/storage/SPOCK</a>	631667-B21

### Storage

<b>HP Fibre Channel Tape Libraries</b> MSL2024 MSL4048 MSL8096	External	Please consult the EBS connectivity matrix at: <a href="http://www.hp.com/go/ebs">http://www.hp.com/go/ebs</a> for connectivity information and the supported Fibre Channel HBAs shown in this QuickSpec.	
<b>HP USB RDX Removable Disk Backup System</b> RDX160 RDX320 RDX500 RDX1TB	Internal or External	USB 2.0 port	N/A
<b>HP D2D Backup Systems, iSCSI</b> D2D2500i D2D4000i	External	Embedded Network Controller. If the server requires a hardware iSCSI initiator, the QLogic QLA4050 Host Bus Adapter is recommended.	
<b>HP D2D Backup Systems, Fibre Channel</b> D2D4000fc	External	Direct server attach is not supported, requires connection via SAN fabric. See: <a href="http://www.hp.com/storage/SPOCK">http://www.hp.com/storage/SPOCK</a>	

### Technical Specifications

<b>System Unit</b>	<b>Dimensions</b> (H x W x D) (with feet/bezel)	18.19 x 8.58 x 29.13 in (46.2 x 21.8 x 74.0 cm)		
	<b>Weight</b> (approximate)	Maximum (all hard drives, power supplies, and processors installed)	96.67 lb (43.85 kg)	
		Minimum (one hard drive, power supply, and processor installed)	57.21 lb (25.95 kg)	
	<b>Input Requirements</b> (per power supply)	Rated Line Voltage	100 to 240 VAC	
		Rated Input Current	7.1 Amps (at 120VAC) to 3.5 Amps (at 240 VAC)	
		Rated Input Frequency	50 to 60 Hz	
		Rated Input Power	852 W	
	<b>BTU Rating</b>	Maximum	460W - 1773 BTU / hr (at 120 VAC), 1715 (at 240 VAC) 750W - 2892 BTU / hr (at 120 VAC), 2797 (at 240 VAC) 1200W - 3530 BTU / hr (at 120 VAC), 4600 (at 240 VAC)	
		<b>Power Supply Output</b> (per power supply)	Rated Steady-State Power	460(750) W (at 100 VAC) 460(750) W (at 200 VAC)
			Maximum Peak Power	460(750) W (at 100 VAC) 460(750) W (at 200 VAC)
	<b>System Inlet Temperature</b>	Operating	10° to 35°C (50° to 95°F) at sea level with an altitude derating of 1.0°C per every 304.8 m (1.8°F per every 1000 ft) above sea level to a maximum of 3048 m (10,000 ft), no direct sustained sunlight. Maximum rate of change is 10°C/hr (18°F/hr). The upper limit may be limited by the type and number of options installed. System performance may be reduced if operating with a fan fault or above 30°C (86°F).	
		Non-operating	-30° to 60°C (-22° to 140°F). Maximum rate of change is 20°C/hr (36°F/hr).	
	<b>Relative Humidity</b> (non-condensing)	Operating	10 to 90% relative humidity (Rh), 28°C (82.4°F) maximum wet bulb temperature, non-condensing.	
		Non-operating	5 to 95% relative humidity (Rh), 38.7°C (101.7°F) maximum wet bulb temperature, non-condensing.	
	<b>Altitude</b>	Operating	3048 m (10,000 ft). This value may be limited by the type and number of options installed. Maximum allowable altitude change rate is 457 m/min (1500 ft/min).	
		Non-operating	9144 m (30,000 ft). Maximum allowable altitude change rate is 457 m/min (1500 ft/min).	

### Technical Specifications

#### Acoustic Noise

Listed are the declared A-Weighted sound power levels (LWAd) and declared average bystander position A-Weighted sound pressure levels (LpAm) when the product is operating in a 23°C ambient environment. Noise emissions were measured in accordance with ISO 7779 (ECMA 74) and declared in accordance with ISO 9296 (ECMA 109).

#### Idle

<b>L WAd</b>	4.2 B (Entry models) 4.2 B (Base models)
<b>L pAm</b>	26 dB (Entry models) 25 dB (Base models)

#### Operating

<b>L WAd</b>	4.2 B (Entry models) 4.3 B (Base models)
<b>L pAm</b>	26 dB (Entry models) 26 dB (Base models)

**NOTE:** Configurations tested for Entry models included Windows 2008 Enterprise 64-bit.

**NOTE:** Configurations tested for Base models included one (1) 1TB non-hot plug LFF SATA HDD and Windows 2008 Enterprise 64-bit.

**NOTE:** The Listed sound levels apply to standard shipping configurations. Additional options may result in increased sound levels.

#### Emissions Classification (EMC)

#### FCC Rating

Class B

#### Normative Standards

CISPR 22; EN55022; EN55024; FCC CFR 47, Pt 15; ICES-003; CNS13438; GB9254; K22;K24; EN 61000-3-2; EN 61000-3-3; EN 60950-1; IEC 60950-1

**NOTE:** Product conformance to cited product specifications is based on sample (type) testing, evaluation, or assessment. This product or family of products is eligible to bear the appropriate compliance logos and statements.

#### HP Dynamic Smart Array B120i Controller

#### Dimensions

Embedded

#### Disk Drive and Enclosure Interface - Transfer rate

Up to 6Gb/s SATA (Serial ATA)

#### Connectors

6 internal SATA connectors

#### Server Interface

x4 PCIe 2.0

#### SATA Speed

6Gb/s SATA links

#### Cache Memory

Zero Memory RAID has no cache memory

#### Logical Drives Supported

Up to 8 logical volumes (6 physical drives)

#### Host Memory Addressing

64-bit, supporting greater than 4GB server memory space

#### Hot Plug Support

Yes

#### RAID Support

RAID 0 (Striping), RAID 1 (Mirroring)  
RAID 1+0 (Striping & Mirroring)

#### HP Ethernet 1Gb 2-port 361i Adapter

#### Network Interface

10Base-T/100Base-TX/1000Base-TX

#### Compatibility

IEEE 802.3 10Base-T  
IEEE 802.3ab 1000Base-T  
IEEE 802.3u 100Base-TX  
IEEE 1588, IEEE 802.1AS

### Technical Specifications

	IEEE 802.3az - Energy Efficient Ethernet (EEE)
<b>Data Transfer Method</b>	PCI Express V2.0, 5.0 GT/s with x2 link (fixed)
<b>Controller</b>	Intel I350 Powerville
<b>Network Transfer Rate</b>	10Base-T (Half-Duplex) 10 Mb/s per port, 20 Mb/s Combined
	10Base-T (Full-Duplex) 20 Mb/s per port, 40 Mb/s Combined
	100Base-TX (Half-Duplex) 100 Mb/s per port, 200 Mb/s Combined
	100Base-TX (Full-Duplex) 200 Mb/s per port, 400 Mb/s Combined
	1000Base-TX (Half-Duplex) 1000Mb/s per port, 2000 Mb/s Combined
	1000 Base-TX (Full-Duplex) 2000Mb/s per port, 4000 Mb/s Combined
<b>Connector</b>	RJ-45
<b>Cable Support</b>	10Base-T Categories 3, 4 or 5 UTP; up to 328 ft (100 m)
	10/100/1000Base-TX Category 5E or better; up to 328 ft (100 m)

**Environment-friendly Products and Approach**      **End-of-life Management and Recycling**      Hewlett-Packard offers end-of-life HP product return, trade-in, and recycling programs in many geographic areas. For trade-in information, please go to: <http://www.hp.com/go/green>. To recycle your product, please go to: <http://www.hp.com/go/green> or contact your nearest HP sales office. Products returned to HP will be recycled, recovered or disposed of in a responsible manner.

The EU WEEE directive (2002/95/EC) requires manufacturers to provide treatment information for each product type for use by treatment facilities. This information (product disassembly instructions) is posted on the Hewlett Packard web site at: <http://www.hp.com/go/green>. These instructions may be used by recyclers and other WEEE treatment facilities as well as HP OEM customers who integrate and re-sell HP equipment.

### Summary of Changes

Date	Version History	Action	Description of Change:
01-Nov-2014	From Version 28 to 29	Changed	Service and Support was revised.
16-Jul-2014	From Version 27 to 28	Changed	Changes in Pre-configured Models, Configuration Information - Factory Integrated Models, Core Options, and Additional Options sections.
10-Jun-2014	From Version 26 to 27	Added	<p>HP iLO Advanced including 1yr 24x7 Technical Support and Updates Electronic License and HP iLO Advanced Electronic License with 3yr 24x7 Tech Support and Updates were added to Insight Software.</p> <p>HP Insight Cluster Management Utility for ConvergedSystem 3yr 24x7 Flexible License was added to High Performance Clusters.</p> <p>HP D6000 enclosures added to Disk Enclosures.</p>
		Changed	<p>Pre-configured Models, Additional Options and Memory were revised.</p> <p>Storage Controllers and HP Remote Monitoring Power Distribution Units (mPDU) were revised.</p>
		Removed	<p>HP Insight Control Server Deployment including 1yr 24x7 Support Electronic License and HP Insight Control Server Deployment including 1yr 24x7 Support Single Server License were removed from Insight Software.</p>
18-Apr-2014	From Version 25 to 26	Changed	Service and Support, Memory, HP Insight Software, Storage Controllers, HP Basic and Remote Monitoring Power Distribution Units, and HP Care Pack Services were revised.
18-Feb-2014	From Version 24 to 25	Changed	Hard Drives, Storage Controllers, and Tape Backup were revised.
13-Dec-2013	From Version 23 to 24	Changed	<p>Load Reduced DIMMs were added to Memory</p> <p>HP Insight Control including 1yr 24x7 Support ProLiant ML/DL/BL-bundle FIO Electronic License was added to Step 3 in Configuration Information</p> <p>HP 1.2TB 6G SAS 10k rpm SFF SC Dual Port Enterprise 3yr Warranty Hard Drive was added to Hard Drives</p> <p>HP SmartCache and HP H221 PCIe 3.0 SAS Host Bus Adapter were added to Storage Controllers</p> <p>HP Tape and Disk Storage Systems were added to Additional Options</p> <p>HP 8GB USB EM Flash Media Kit was added to HP USB and SD Options</p> <p>HP ML350e Gen8 Intel Xeon E5-2450L Processor Kit was removed from Processors</p> <p>HP Power Distribution Units were removed from Additional Options</p>



### Summary of Changes

			HP Basic Power Distribution Units and HP Remote Monitoring Power Distribution Unites were revised in Additional Options
12-Oct-2013	From Version 22 to 23	Changed	Correction made in the North America version only.
11-Oct-2013	From Version 21 to 22	Added	<p>HP 4TB 6G SAS 7.2K rpm LFF SC Midline Hard Drive, 6G SATA Value Endurance Hot Plug SFF Enterprise Value Solid State Drives, and HP 300GB and 600GB 6G SATA Value Endurance LFF SC Enterprise Boot Solid State Drives were added to Hard Drives</p> <p>HP Ethernet 10Gb 2-port 530T Adapter was added to Networking</p> <p>HP Remote Monitoring Power Distribution Units was added to Additional Options</p> <p>HP 8GB SD Enterprise Mainstream Flash Media Kit was added to HP USB and SD Options</p>
20-Sep-2013	From Version 20 to 21	Changed	HP Dynamic Smart Array B120i Controller in Technical Specifications was revised.
13-Sep-2013	From Version 19 to 20	Added	Added a NOTE to the Base Models section.
10-Sep-2013	From Version 18 to 19	Changed	<p>HP Insight Management, Memory, Hard Drives, HP Storage Controllers, HP Power Distribution Units, and HP Care Pack Services were revised</p> <p>HP HPC Linux Value Pack was removed from High Performance Clusters</p> <p>HP Ethernet 10Gb 2P 561T Adapter was added to Networking</p>
30-Jul-2013	From Version 17 to 18	Changed	Notes section was revised for Memory in the Standard Features section.
19-Jul-2013	From Version 16 to 17	Changed	Correction made in the Smart Buys section for the North America and Canada versions only.
15-Jul-2013	From Version 15 to 16	Added	HP Disk Backup was added to Additional Options.
15-May-2013	From Version 14 to 15	Changed	<p>Changes made in the following sections:</p> <p>Standard Features - Maximum Internal Storage</p> <p>Configuration Information - HP Hard Drives, HP Insight Software</p> <p>Core Options - HP Hard Drives</p> <p>Additional Options - HP Insight Software, HP Tape Backup, HP Power Distribution Units, and HP USB and SD Options; Added HP Basic Power Distribution Units</p>
29-Apr-2013	From Version 13 to 14	Changed	Technical Specifications: Updated HP Dynamic Smart Array B120i Controller section.
26-Apr-2013	From Version 12 to 13	Changed	Change made in the North America and Canada versions only.
01-Mar-2013	From Version 11 to 12	Removed	Additional Options: Removed T9074BAE, 452148-B22 and TC278AAE from the HP Insight Software section.
19-Feb-2013	From Version 10 to 11	Added	Added new 6G SATA ME Hot Plug Enterprise Mainstream Solid State Drive s

### Summary of Changes

			Supports new HP iLO Essentials license ideal for small and medium business customers
07-Dec-2012	From Version 9 to 10	Added	HP Power Distribution Units, HP Intelligent Power Distribution Units (iPDU) & HP Rack Series sections
		Changed	Changes made to the Graphics, On System Management sections in Standard Features.  Updated HP Insight Management Software throughout the document.  Changed the HP Security section to HP Hard Drives in Step 2 of Configuration Information.  HP Insight Software section and High Performance Clusters were completed revised  Revised HP Tape Backup
		Removed	Removed HP Drive Cage Options & HP Cooling Options from the Core Options section  Removed HP Backup & Recovery Software, HP Disk Backup from Additional Options section.
12-Oct-2012	From Version 8 to 9	Changed	Change made in the North America and Canada versions only.
28-Sep-2012	From Version 7 to 8	Changed	Changes made in the Options and Memory sections.
24-Sep-2012	From Version 5 to 7	Changed	Changes made throughout the QuickSpec.
13-Aug-2012	From Version 4 to 5	Changed	Changes made throughout the QuickSpec.
18-Jun-2012	From Version 3 to 4	Changed	Changes made throughout the QuickSpec.
07-Jun-2012	From Version 2 to 3	Changed	Changed Smart Drive to SmartDrive in Core Options.
06-Jun-2012	From Version 1 to 2	Changed	Changes made throughout the QuickSpec.

### Summary of Changes

© Copyright 2014 Hewlett-Packard Development Company, L.P.

The information contained herein is subject to change without notice.

Microsoft and Windows NT are US registered trademarks of Microsoft Corporation. Intel is a US registered trademark of Intel Corporation.

The only warranties for HP products and services are set forth in the express warranty statements accompanying such products and services. Nothing herein should be construed as constituting an additional warranty. HP shall not be liable for technical or editorial errors or omissions contained herein.

For hard drives, 1GB = 1 billion bytes. Actual formatted capacity is less.