

RA Series RA Line

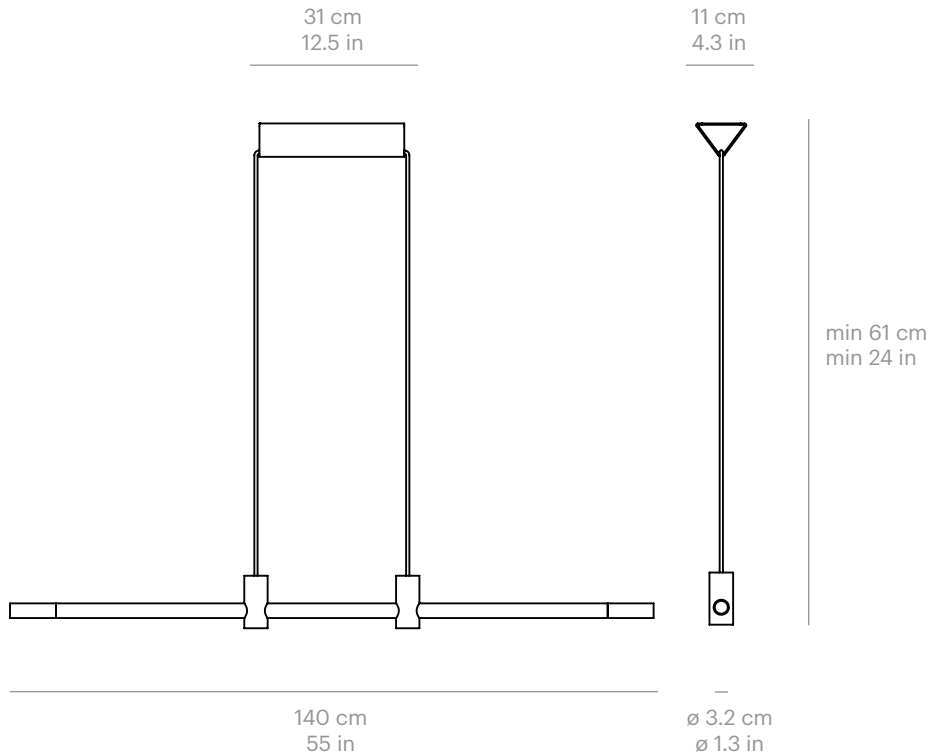
Design by Alexandre Joncas

Line is distinguished by a marked opposition between heaviness and lightness. The assemblage of borosilicate glass tube that pierces the supports in solid bronze accentuates this rivalry. The amber tips emphasize the simplicity of the straight line.

*J.
Joncas*

RA Line

Design by Alexandre Joncas



Lamping Specifications

Power input : 45W
 Technology : Cold cathode neon lifetime of 100 000h
 CCT* : 2800K (Warm white)
 Lumen source : 1125 lm
 CRI : 94
 Input voltage : 120V - On/off only
 220-240V - DALI or 1-10V dimming
 * Other CCT available upon request

Product Weight

6.8 kg / 15 lbs

Height

A	B	C	D
61 cm / 24 in	89 cm / 35 in	112 cm / 44 in	201 cm / 79 in


*custom height available upon request

Certifications

IP20 

Materials

* Canopy painted matte black

Glass tube tips options :
 Borosilicat clear glass tube with translucent amber tips

Holder finishes:
 Polished bronze

Order code Generator	Series	Model	Finish	Details	Voltage	Height	QTY
	RA RA	LI Line	AM Amber	BZ Polished bronze	11 120V	A 61 cm	.
	21 220-240V (DALI)	B 89 cm	.
	22 220-240V (1-10V)	C 112 cm	.
	D 201 cm	.
	Z Custom	.
Order code :	RA	LI	AM	BZ	___		-

