

# RA Series

# RA Pendant

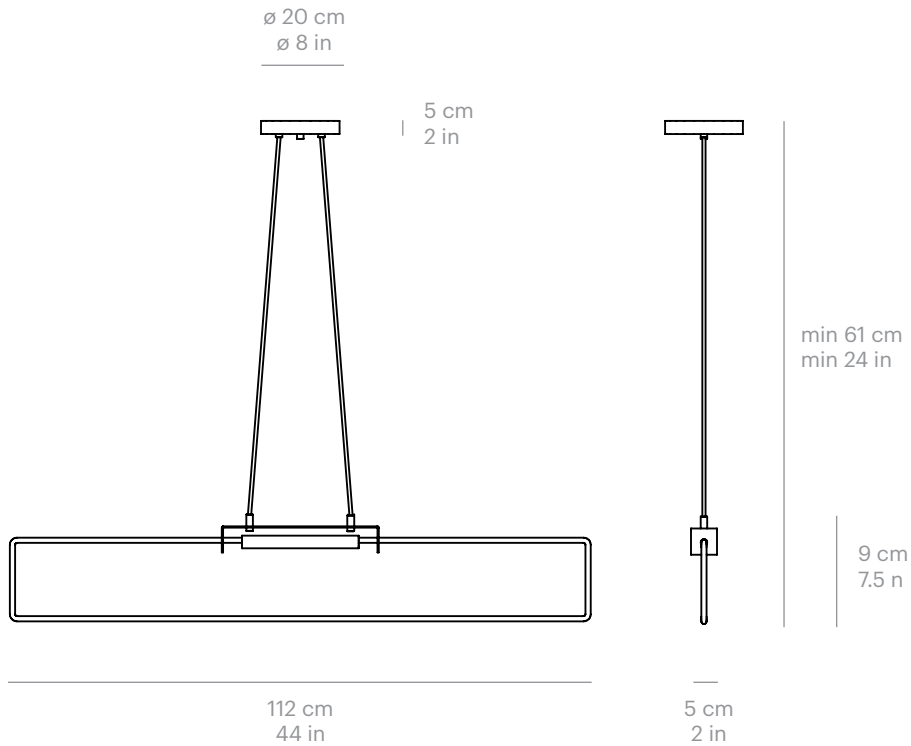
Design by Alexandre Joncas

RA Pendant, modern with simple lines, is suspended by silicon cables at a slight angle. Mounted above a table, its warm light conjures memories of an evening around a campfire.

*J.  
Joncas*

# RA Pendant

Design by Alexandre Joncas



## Lamping Specifications

Power input : 45W  
 Technology : Cold cathode neon lifetime of 100 000h  
 CCT\* : 2800K (Warm white)  
 Lumen source : 1800 lm  
 CRI : 94  
 Input voltage : 120V - On/off only  
 220-240V - DALI or 1-10V dimming  
*\* specify dimming option when ordering*

## Product Weight

2.4 kg / 5.2 lbs

## Height

A	B	C	D
61 cm / 24 in	89 cm / 35 in	112 cm / 44 in	201 cm / 79 in

*\*custom height available upon request*

## Certifications

IP20

## Materials

**Canopy & bracket :**

- Matt White
- Matt black

**Details finishes:**

- Polished brass
- Black oxidized brass
- Chrome plated

Order code	Series	Model	Finish	Details	Voltage	Height	QTY
<b>Generator</b>	<b>RA</b> RA	<b>SU</b> Pendant	<b>WH</b> Matt white <b>BL</b> Matt black	<b>BR</b> Polished brass <b>OX</b> Black oxidized <b>CH</b> Chrome	<b>11</b> 120V <b>21</b> 220-240V (DALI) <b>22</b> 220-240V (1-10V)	<b>A</b> 61 cm <b>B</b> 89 cm <b>C</b> 112 cm <b>D</b> 201 cm <b>Z</b> Custom	.
<b>Order code :</b>	RA	SU	—	—	—	-	—

