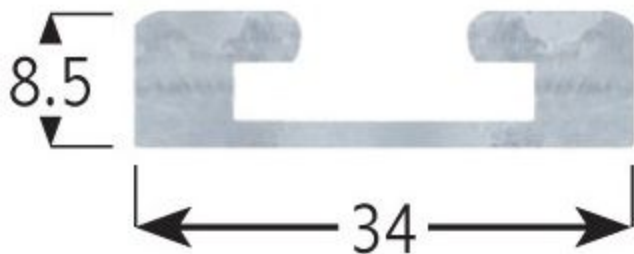


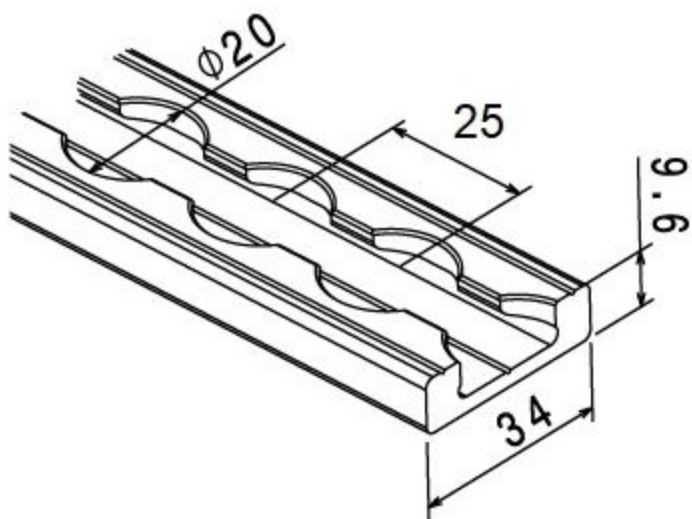
# Cargo Track Technical Drawings



Curved Profile



Slimline (undrilled)



Slimline (drilled)