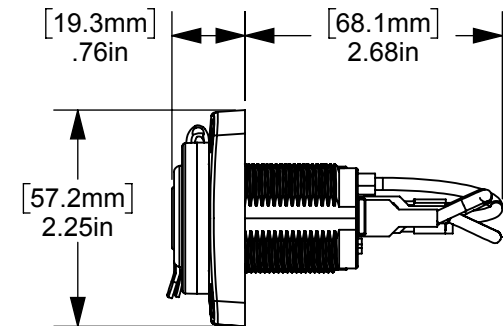
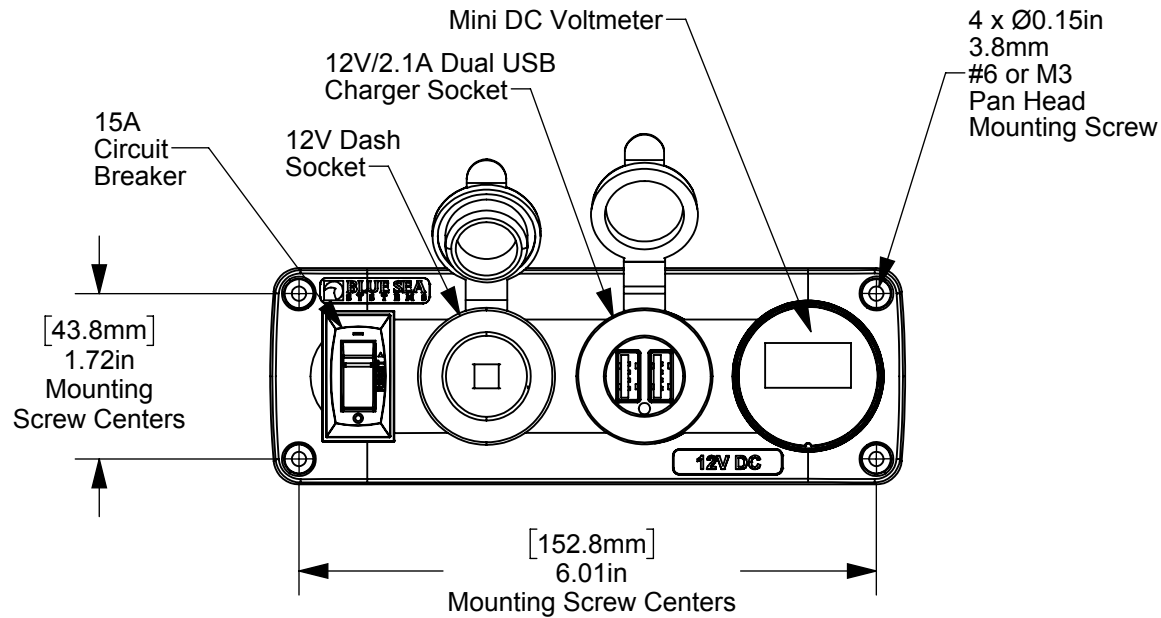
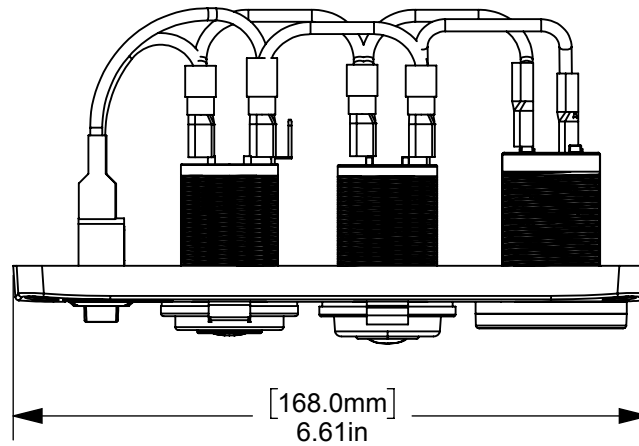


THIS DRAWING AND THE INFORMATION CONTAINED WITHIN IT ARE CONFIDENTIAL AND MAY NOT BE COPIED OR DISCLOSED WITHOUT THE WRITTEN PERMISSION OF BLUE SEA SYSTEMS.



THIRD ANGLE PROJECTION



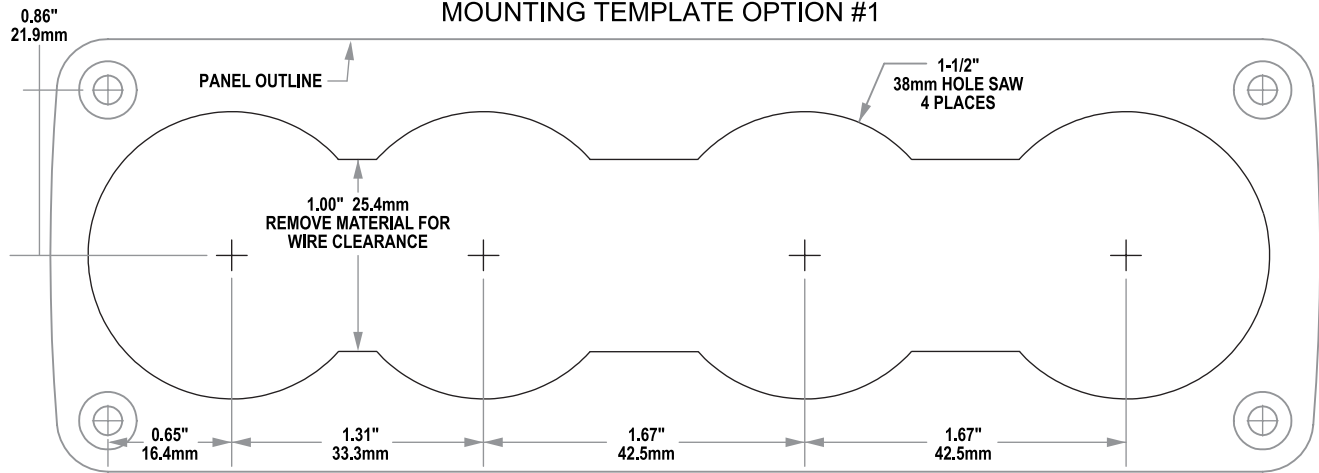
BLUE SEA
SYSTEMS

425 Sequoia Drive Bellingham, WA 98226
Phone (360)738-8230 Fax (360)734-4195

4356 - BelowDeck™ Panel
15A Circuit Breaker, 12V Socket,
2.1A Dual USB Charger, Mini DC Voltmeter

SIZE A	DWG. NO. 4356 Dimension Drawing	REV. 0A
SCALE 1:2	WEIGHT: --	SHEET 1 OF 1

MOUNTING TEMPLATE OPTION #1



MOUNTING TEMPLATE OPTION #2

