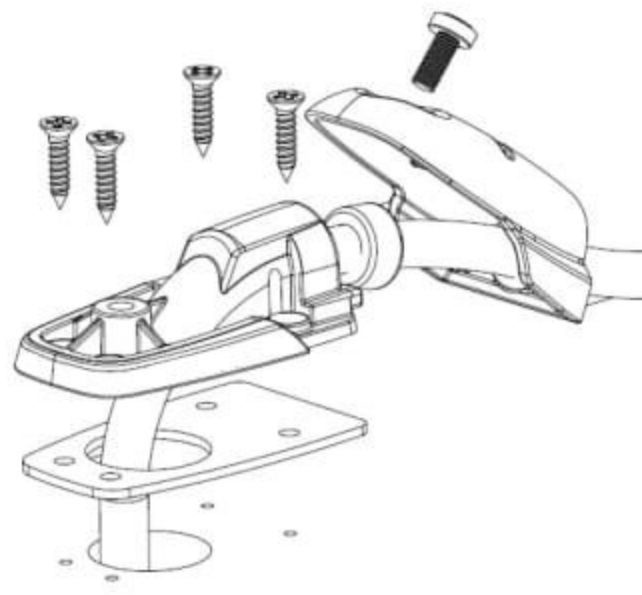
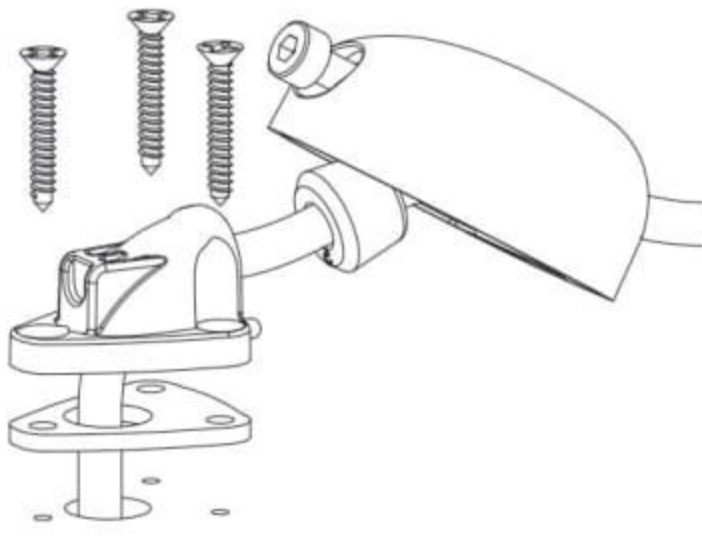


CABLE SEAL - HORIZONTAL

Part No. DS-H6 / DS-H10 /

The only guaranteed and proven watertight installation for all your cable requirements! The Horizontal & Multi range provides waterproof cable routing and is produced in high impact plastic and aluminium, making them ideal for almost every installation.

Model	Fits Cables
DS-H6	2-6mm (0.08"-0.24")
DS-H10	6-10mm (0.24"-0.39")



DS-H6 / DS-H10

Material	Glass-filled Nylon
External Coating	UV Stable
Product Highlight	<ol style="list-style-type: none"> 1. IPX6 & 7 waterproof 2. Compact seal compression system 3. No sealant required 4. 5x pre-drilled 1x blank bung included 5. Single fastener for a simple installation 6. 3m waterproof gasket 7. Impact-resistant design

Application

