

MB09

FREE-STANDING BATH MIXER

meir®

MATTE BLACK
MB09

CHROME
MB09-C

CHAMPAGNE
MB09-CH

TIGER
BRONZE
MB09-BB

AVAILABLE
FINISHES

FEATURES

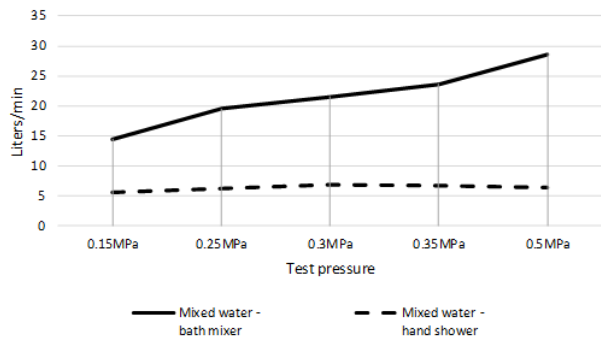
- 10 Year warranty
- Flow rate 20 L p/m
- European components and cartridge
- Solid brass construction
- Box Weight 6.2 Kg

CARE

- Do not install tapware using any form of acetone silicones.
- Do not apply physical items (such as tools) directly to product.
- Never use house-hold or commercial detergents, citrus based cleaners, or abrasive cleaners.
- Clean using a mild washing soap solution rinsed, and dry with a soft cloth.
- Check for any product defects before installation.
- Refer to the installation manual for correct installation.



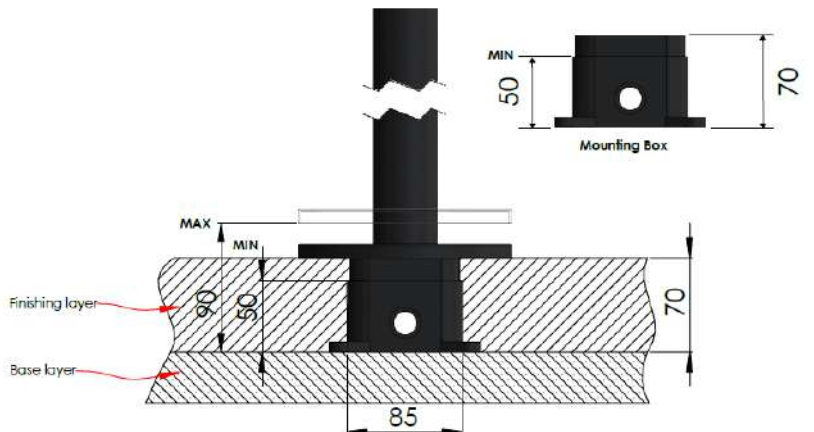
FLOW RATE GRAPH



CREDENTIALS

- Watermark AS/NZS3718WMKA25013

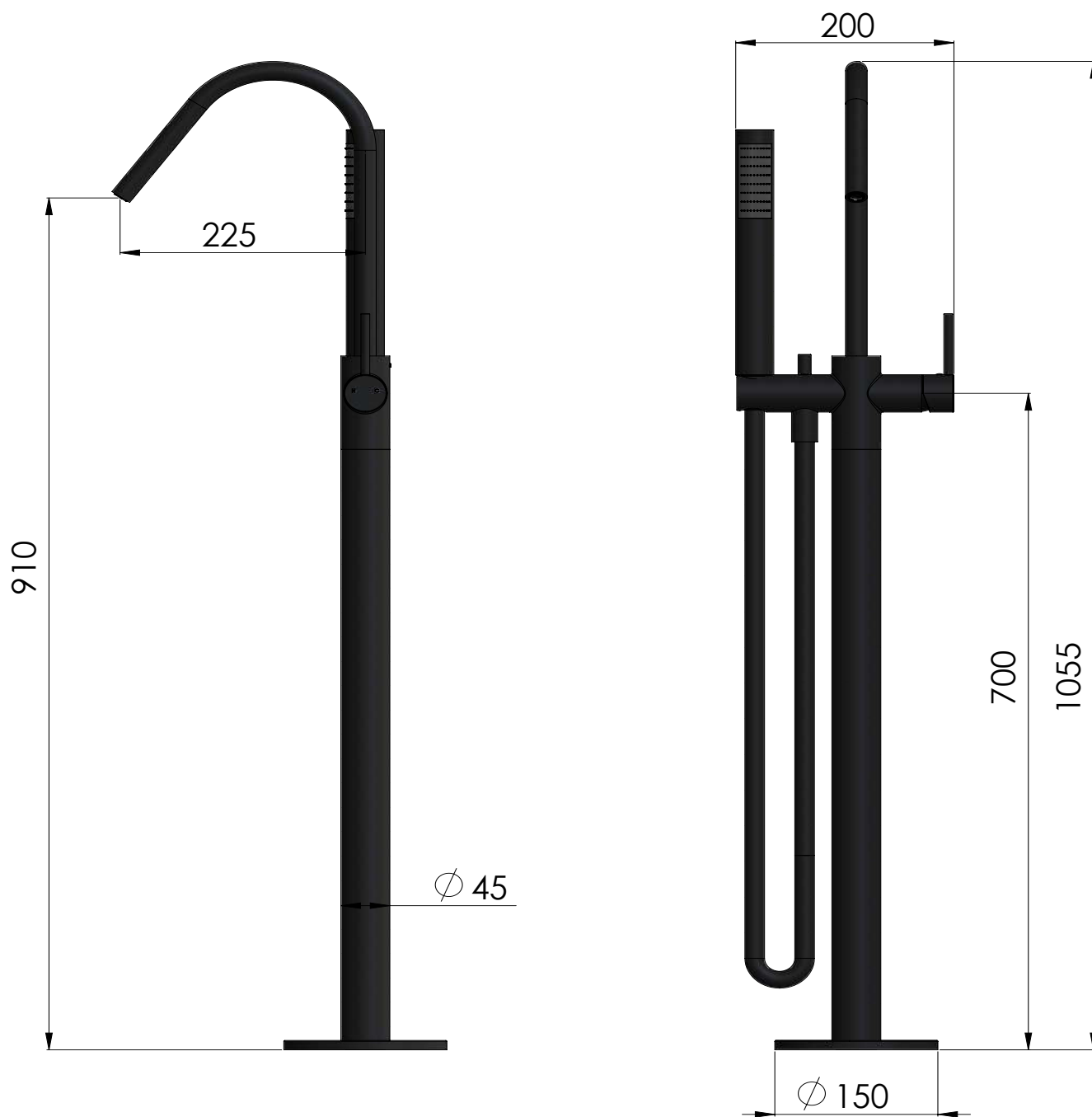
HC@9F5B79



MB09

FREE-STANDING BATH MIXER

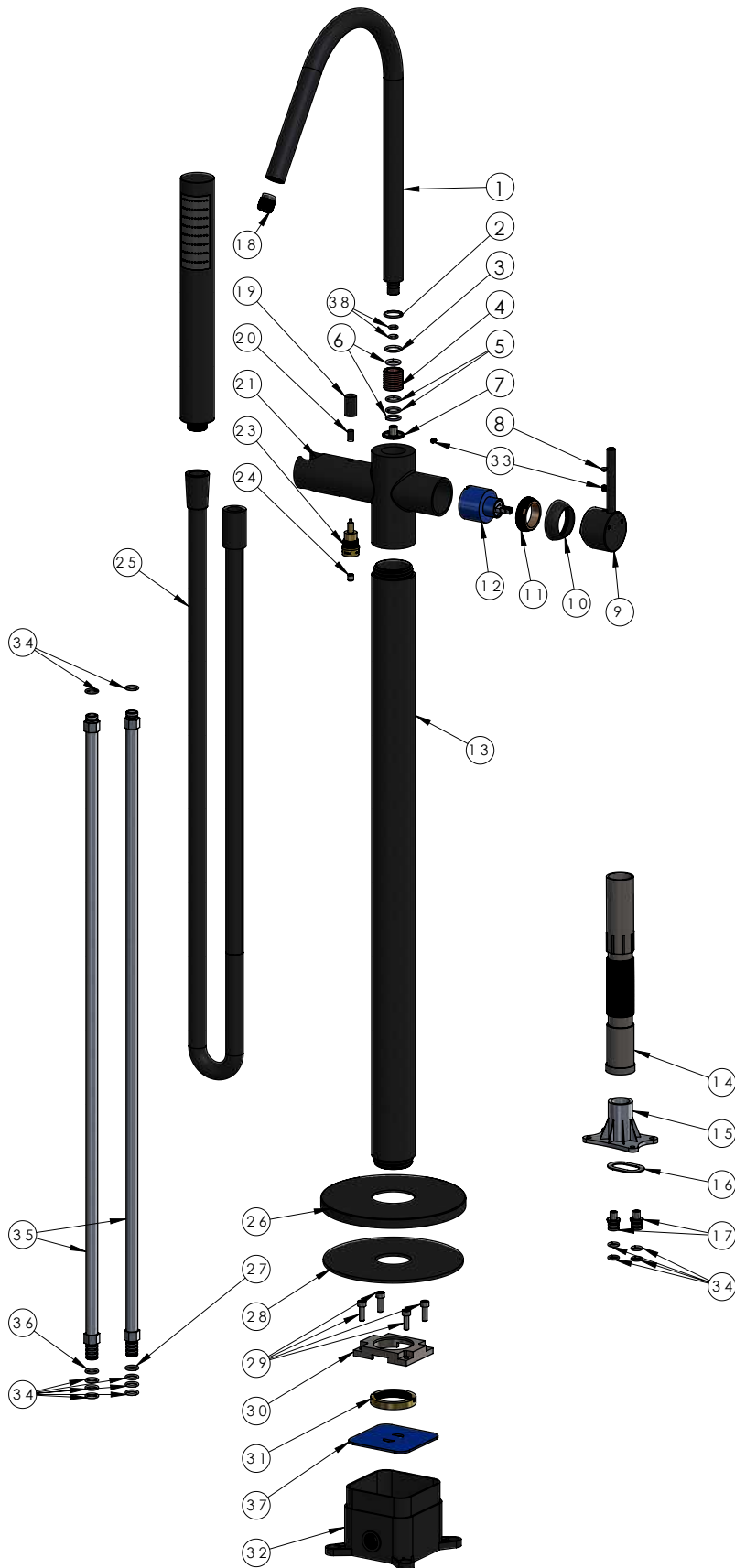
SPECIFICATIONS



MB09

FREE-STANDING BATH MIXER

9LD@C898 J →K



No	Part
1	Spout
2	PVC washer
3	O-ring
4	Copper sleeve
5	O-ring
6	Wear-resisting ring
7	Nut
8	Decor knob
9	Handle
10	Decor cover
11	Nut
12	D35 cartridge
13	Stand pipe
14	Water pipe
15	Water test base
16	Rubber ring
17	Blocks
18	Aerator
19	Handle
20	Decor cover
21	Body
22	Handle shower
23	Divertor
24	Non-return valve
25	Shower hose
26	Back plate
27	O-ring
28	Sponge mat
29	Screw
30	Fixed plate
31	Fixing nut
32	Plastic box
33	Screw
34	O-ring
35	Flexible hose
36	O-ring
37	Dustproof cover