



# HOSHIZAKI

## Parts List

Modular Crescent Cuber

Models

KM-23 IBAJ

KM-30 IBAJ, BWJ



[hoshizakiamerica.com](http://hoshizakiamerica.com)

Number: 71426  
Issued: 6-28-2019  
Revised: 7-18-2019

## CONTENTS

Auxiliary Codes.....	3
Note About Ordering Parts .....	3
A. Main Assembly .....	4
B. Refrigeration Circuit.....	7
KM-231BAJ, KM-301BAJ .....	7
KM-301BWJ .....	9
C. Water Circuit.....	11
D. Control Box Assembly.....	13
E. Accessories & Labels .....	14

## **Auxiliary Codes**

### **KM-231BAJ**

J-0 March 2019

### **KM-301BAJ**

J-0 March 2019

### **KM-301BWJ**

J-0 March 2019

## **Auxiliary Code Breakdown**

The auxiliary code is the first two characters in the serial number. The first character indicates the year. Years progress or regress in alphabetical order. The series runs from "A" through "V" and the letters "I" and "O" are skipped. The second character indicates significant part changes within a year. Base is "0" and this number advances for each change. In cases where there is a letter in parentheses, this designates the month. This is the last character in the serial number. The series runs from "(A)" through "(M)" and the letter "(I)" is skipped. This designation is only included when identifying a parts change within an auxiliary code.

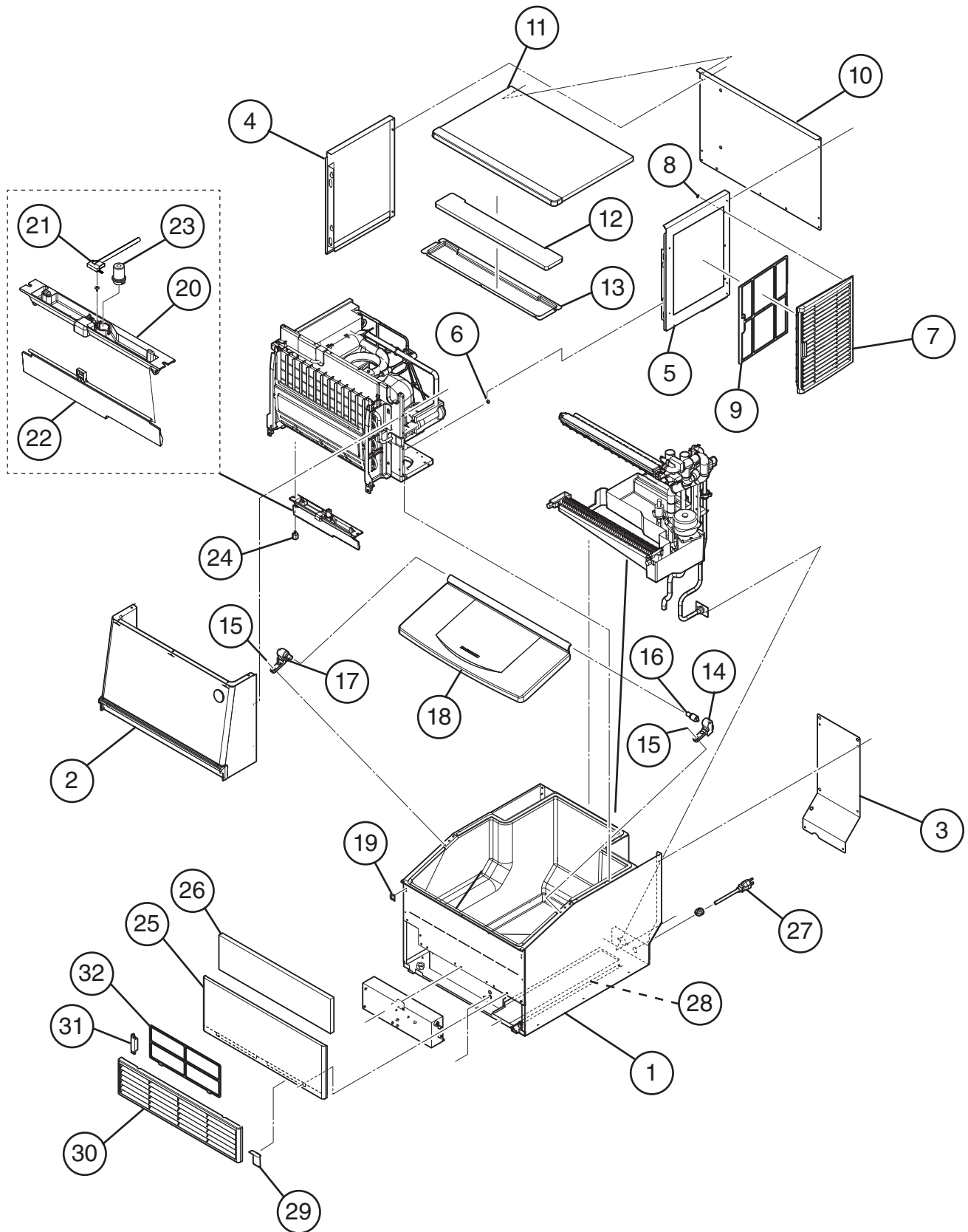
## **Note About Ordering Parts**

Most assemblies cannot be ordered as complete units; parts in the assemblies generally must be ordered separately.

# A. Main Assembly

KM-231BAJ, KM-301BAJ, KM-301BWJ

J-0

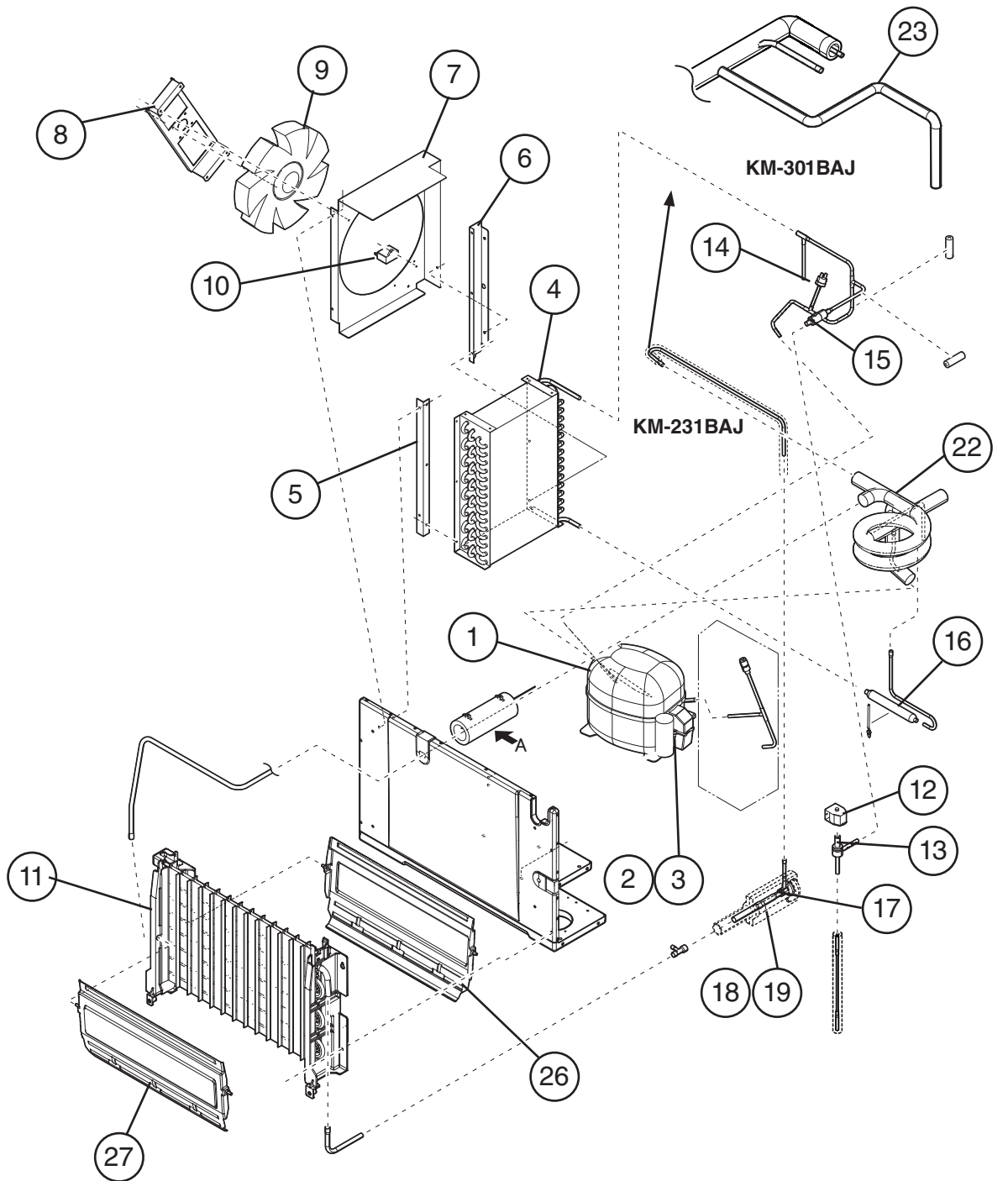


**Title: A. Main Assembly Model: KM-231BAJ, KM-301BAJ, KM-301BWJ**

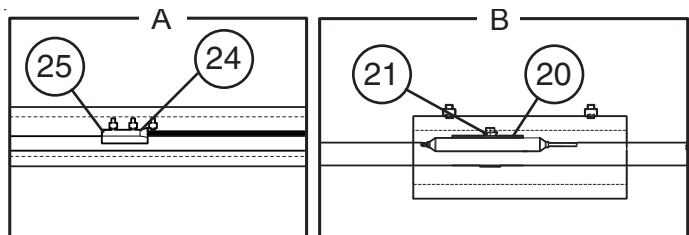
Index No.	Description	Material or Model Number	Part Number	Required Number									
				J-0									
<b>Main Assembly</b>													
1	Bin Assembly	<b>KM-231BAJ</b>	118999G02	1									
		<b>KM-301BAJ</b>	118990G02	1									
		<b>KM-301BWJ</b>	118990G04	1									
2	Front Cover	<b>KM-231BAJ</b>	2A9327G02	1									
		<b>KM-301BAJ</b>	2A9169G02	1									
		<b>KM-301BWJ</b>											
3	Rear Cover		371199M01	1									
4	Left Side Panel		2A9106G02	1									
5	Right Side Panel	<b>KM-231BAJ</b>	2A9105G02	1									
		<b>KM-301BAJ</b>											
		<b>KM-301BWJ</b>	2A9105G03	1									
6	Taper Collar		4H0171-01	4									
7	Louver B	<b>KM-231BAJ</b>	1A0548-01	1									
		<b>KM-301BAJ</b>											
9	Air Filter B	<b>KM-231BAJ</b>	2A2063G01	1									
		<b>KM-301BAJ</b>											
10	Rear Panel	<b>KM-231BAJ</b>	371248M01	1									
		<b>KM-301BAJ</b>	371000M01	1									
		<b>KM-301BWJ</b>	371000M02	1									
11	Top Panel	<b>KM-231BAJ</b>	4A6546G02	1									
		<b>KM-301BAJ</b>	4A6519G02	1									
		<b>KM-301BWJ</b>											
12	Top Insulation	<b>KM-231BAJ</b>	472571P01	1									
		<b>KM-301BAJ</b>	472444P01	1									
		<b>KM-301BWJ</b>											
13	Top Cover	<b>KM-231BAJ</b>	255268P01	1									
		<b>KM-301BAJ</b>	254953P01	1									
		<b>KM-301BWJ</b>											
14	Right Hinge Mount		370969P01	1									
15	Pan Head Machine Screw (spring washer)		7C1220516	4									
16	Hinge		P01080-01	1									
17	Left Hinge Mount		370970P01	1									
18	Door Assembly	<b>KM-231BAJ</b>	371214G01	1									
		<b>KM-301BAJ</b>	370980G01	1									
		<b>KM-301BWJ</b>											
19	Clamp		4A6669-01	2									
20	Actuator Base		118845P01	1									
21	Reed Switch G		4A6593G01	1									
22	Actuator	<b>KM-231BAJ</b>	370981G01	1									
		<b>KM-301BAJ</b>	371416G01	1									
		<b>KM-301BWJ</b>											
23	Grommet E		472446R01	1									
24	Thumbscrew		415949G12	2									
25	Front Panel	<b>KM-231BAJ</b>	4A6523-03	1									
		<b>KM-301BAJ</b>	4A6523-04	1									
		<b>KM-301BWJ</b>											
26	Front Insulation	<b>KM-231BAJ</b>	472743P01	1									
		<b>KM-301BAJ</b>	472742P01	1									
		<b>KM-301BWJ</b>											

Title: A. Main Assembly    Model: KM-231BAJ, KM-301BAJ, KM-301BWJ												
Index No.	Description	Material or Model Number	Part Number	Required Number								
				J-0								
27	Power Supply Cord		P00004-01	1								
28	Wire Cover		376185M01	1								
29	Barrier		482909M01	1								
30	Louver (includes items 31 and 32)	<b>KM-231BAJ</b>	2A9339A01	1								
		<b>KM-301BAJ</b>	2A9340A01	1								
		<b>KM-301BWJ</b>	2A9340A02	1								
31	Magnet Catch		P01032-01	2								
32	Air Filter	<b>KM-231BAJ</b>	371154G01	1								
		<b>KM-301BAJ</b>										

**B. Refrigeration Circuit**  
**KM-231BAJ, KM-301BAJ**  
 J-0



Model Shown: KM-231BAJ



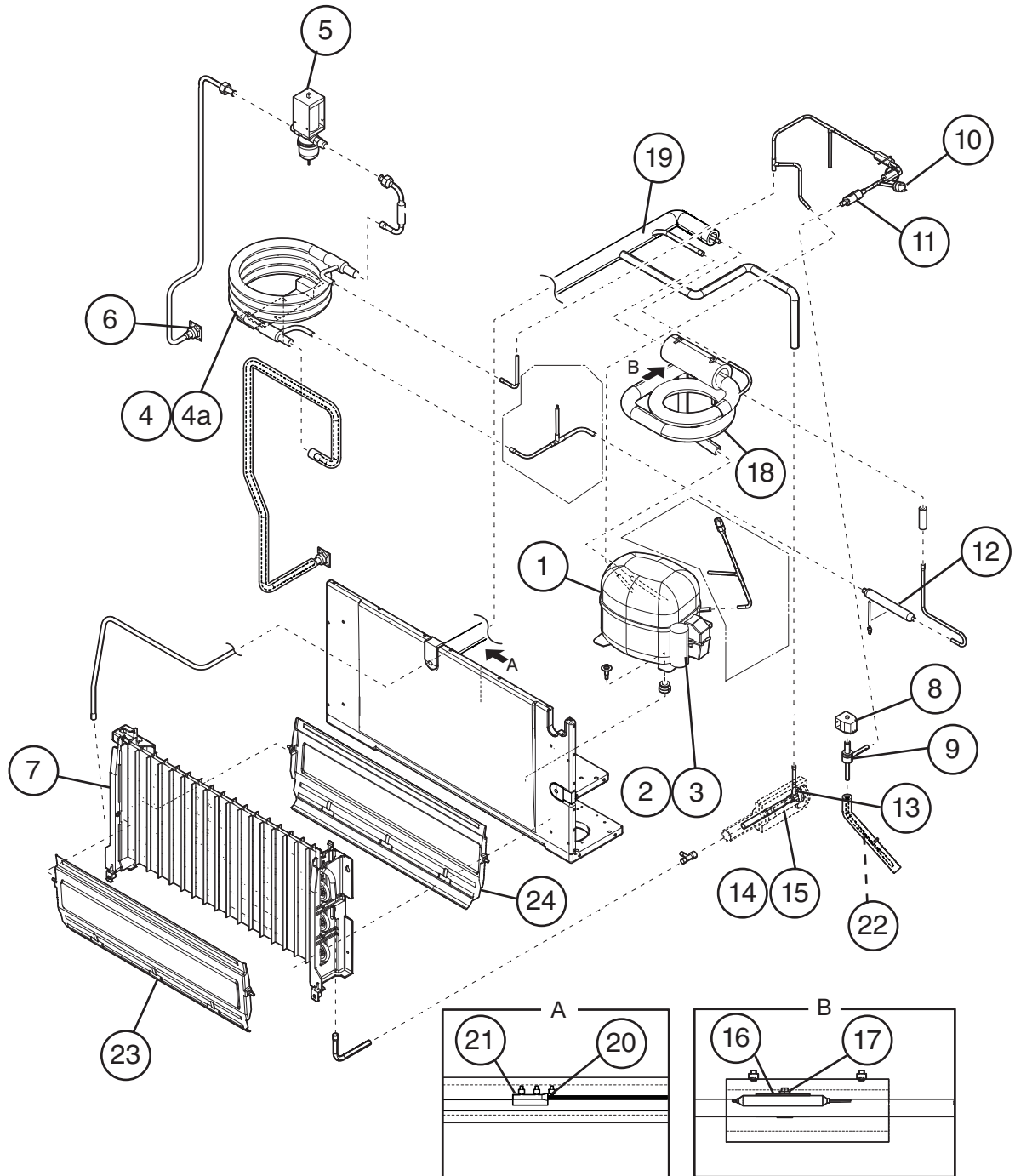
Title: B. Refrigeration Circuit Model: KM-231BAJ, KM-301BAJ												
Index No.	Description	Material or Model Number	Part Number	Required Number								
				J-0								
<b>Refrigeration Circuit</b>												
1	Compressor	<b>KM-231BAJ</b> NF7CLX 115V 60Hz	4A4185-01	1								
		<b>KM-301BAJ</b> SC100CL 115V 60Hz	P01081-01	1								
2	Start Relay	<b>KM-231BAJ</b>	4A2135-04	1								
		<b>KM-301BAJ</b>	4A3113-01	1								
3	Start Capacitor	<b>KM-231BAJ</b>	4A2134-04	1								
		<b>KM-301BAJ</b>	4A2134-03	1								
4	Condenser	<b>KM-231BAJ</b>	P00823-01	1								
		<b>KM-301BAJ</b>	P00822-01	1								
5	Condenser Bracket A		472458M01	1								
6	Condenser Bracket B		472463M01	1								
7	Shroud	<b>KM-231BAJ</b>	255353M01	1								
		<b>KM-301BAJ</b>	255381M01	1								
8	Fan Motor Bracket		371200M01	1								
9	Fan Motor G		384348G01	1								
10	Fan Motor Capacitor	6 MFD, 220VAC	443158-02	1								
11	Evaporator Assembly	<b>KM-231BAJ</b>	4A6540G01	1								
		<b>KM-301BAJ</b>	4A6539G01	1								
12	Coil Valve G		384347G01	1								
13	Valve Body		4A3978-01	1								
14	High-Pressure Switch	<b>KM-231BAJ</b>	463180-04	1								
		<b>KM-310BAJ</b>	463180-01	1								
15	Strainer		441569-02	1								
16	Drier		458776-01	1								
17	Thermostatic Expansion Valve	<b>KM-231BAJ</b>	P01129-01	1								
		<b>KM-301BAJ</b>	P00826-01	1								
18	Thermostatic Expansion Valve Cover A		324313-01	1								
19	Thermostatic Expansion Valve Cover B		324313-02	1								
20	Thermostatic Expansion Valve Holder		451267-01	1								
21	Clamp		443461-01	1								
22	Heat Exchanger A	<b>KM-231BAJ</b>	2A9119G01	1								
		<b>KM-301BAJ</b>	4A6514G01	1								
23	Heat Exchanger B	<b>KM-301BAJ</b>	4A6665G01	1								
24	Thermistor		P00027-01	1								
25	Thermistor Holder		436455-01	1								
26	Separator A	<b>KM-231BAJ</b>	384672G01	1								
		<b>KM-301BAJ</b>	384672G03	1								
27	Separator B	<b>KM-231BAJ</b>	384672G02	1								
		<b>KM-301BAJ</b>	384672G04	1								



# B. Refrigeration Circuit

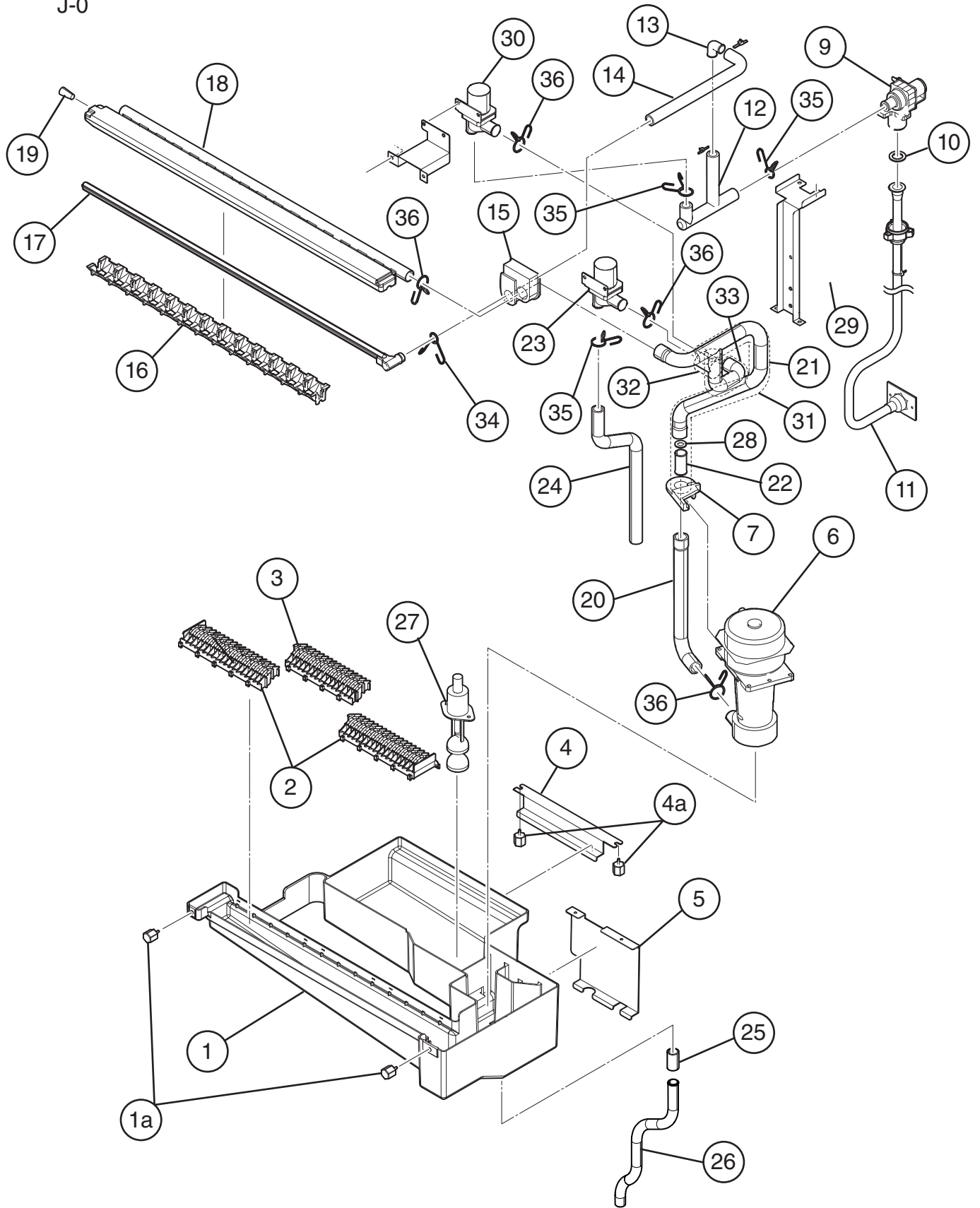
## KM-301BWJ

J-0



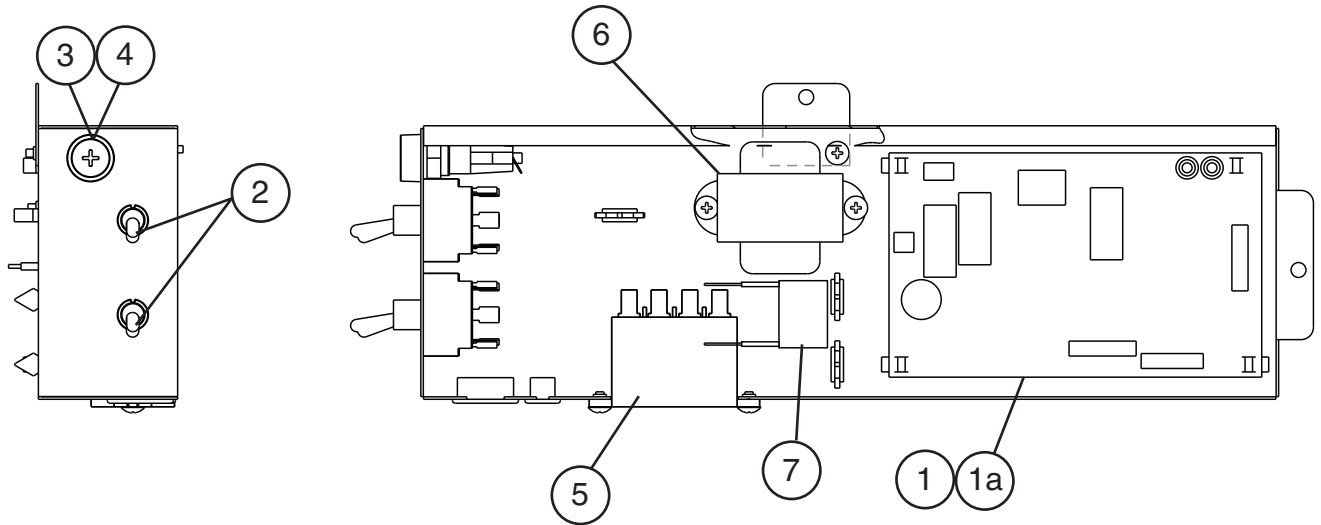
Title: B. Refrigeration Circuit Model: KM-301BWJ												
Index No.	Description	Material or Model Number	Part Number	Required Number								
				J-0								
<b>Refrigeration Circuit</b>												
1	Compressor		4A4185-01	1								
2	Starting Relay		4A2135-04	1								
3	Starting Capacitor		4A2134-04	1								
4	Water-Cooled Condenser		P01212-01	1								
4a	Flange Bolt		7B0230512	2								
5	Water Regulating Valve		P04025-01	1								
6	Inlet Fitting		4A6744G01	1								
7	Evaporator Assembly		4A6539G01	1								
8	Coil Valve G		384347G01	1								
9	Valve Body		4A3978-01	1								
10	High-Pressure Switch		463180-05	1								
11	Strainer		441569-02	1								
12	Drier		458776-01	1								
13	Thermostatic Expansion Valve		P00826-01	1								
14	Thermostatic Expansion Valve Cover A		324313-01	1								
15	Thermostatic Expansion Valve Cover B		324313-02	1								
16	Thermostatic Expansion Valve Holder		451267-01	1								
17	Clamp		443461-01	1								
18	Heat Exchanger A		4A6665G01	1								
19	Heat Exchanger B		2A9100G01	1								
20	Thermistor		P00027-01	1								
21	Thermistor Holder		436455-01	1								
22	Capillary Tube		7K2032010	1								
23	Separator A		384672G03	1								
24	Separator B		384672G04	1								

**C. Water Circuit**  
**KM-231BAJ, KM-301BAJ, KM-301BWJ**  
J-0



Title: C. Water Circuit Model: KM-231BAJ, KM-301BAJ, KM-301BWJ										
Index No.	Description	Material or Model Number	Part Number	Required Number						
				J-0						
1	Water Tank	KM-231BAJ	118944P01	1						
		KM-301BAJ	118840P01	1						
		KM-301BWJ								
1a	Thumbscrew		415949G12	4						
2	Cube Guide A		258598P01	2						
3	Cube Guide B	KM-231BAJ	2A3363-01	1						
		KM-301BAJ		2						
		KM-301BWJ								
4	Tank Hook B	KM-231BAJ	371007M01	1						
		KM-301BAJ	371193M01	1						
		KM-301BWJ								
4a	Thumbscrew		415949G12	2						
5	Tank Hook D		371204M01	1						
6	Pump Motor G (includes items 7 and 8)		384346G01	1						
7	Pump Motor Cover		371173R01	1						
8	Pump Motor Capacitor	1 MFD, 400VAC	<b>Need Number</b>	1						
9	Inlet Water Valve		3U0150-01	1						
10	Rubber Gasket		413854-03	1						
11	Water Supply Pipe		2A9244G01	1						
12	Water Supply Pipe A		472438R01	1						
13	Elbow		470303-01	1						
14	Water Supply Pipe B		472439R01	1						
15	Grommet B		472436R01	1						
16	Spray Guide	KM-231BAJ	252052P03	1						
		KM-301BAJ	118939P01	1						
		KM-301BWJ								
17	Water Supply Tube	KM-231BAJ	250743-03	1						
		KM-301BAJ	254949P01	1						
		KM-301BWJ								
18	Spray Tube	KM-231BAJ	255329P01	1						
		KM-301BAJ	254950P01	1						
		KM-301BWJ								
19	Plug		4A0176-01	1						
20	Water Supply Pipe E		472558R01	1						
21	Water Supply Pipe F		255236R01	1						
22	Socket		472564P01	1						
23	Drain Valve G		384344G01	1						
24	Drain Pipe		472441R01	1						
25	SI Hose		7730-1519	1						
26	Drain Pipe B		472442P01	1						
27	Float Switch		P00816-01	1						
28	Orifice	KM-231BAJ	4Y4194P01	1						
29	Spring Washer		7L22-0400	1						
30	Cleaning Valve G		384352G01	1						
31	Insulation Tube		7762-2040	1						
32	Insulation Tube		7762-2040	1						
33	Insulation Tube		7762-2040	1						
34	Hose Clamp	13.5 mm	427443-07	1						
35	Hose Clamp	18 mm	427433-05	3						
36	Hose Clamp	20 mm	427443-06	4						

**D. Control Box Assembly**  
**KM-231BAJ, KM-301BAJ, KM-301BWJ**  
 J-0



Title: D. Control Box Assembly		Model: KM-231BAJ, KM-301BAJ KM-301BWJ		Required Number										
Index No.	Description	Material or Model Number	Part Number	J-0										
1	Control Board	HKM2006V003	P01771-02	1										
1a	Board Support		4A0336-03	4										
2	Toggle Swtich		P00033-01	2										
3	Fuse Holder		P00014-01	1										
4	Fuse	5A 250V	P01143-01	1										
5	Power Relay		449000-01	1										
6	Transformer		3A4395-01	1										
7	Noise Killer (capacitor)	.47 MFD 275VAC	P00228-01	1										

## E. Accessories & Labels

**KM-231BAJ, KM-301BAJ, KM-301BWJ**

J-0

Title: E. Accessories & Labels Model: KM-231BAJ, KM-301BAJ KM-301BWJ												
Index No.	Description	Material or Model Number	Part Number	Required Number								
				J-0								
1	Penguin Label		475552L02	1								
2	Leg		4A2525-01	4								
3	Scoop		1H4123P02	1								