



KM-350/520/660M_J

SLIM-LINE MODULAR CRESCENT CUBER



KM-350/520/660M_J
07/08/19
Item # 13260

Item #: _____
Project: _____
Qty: _____
AIA#: _____

W x D x H
22" x 27^{3/8}" x 28"

KM|EDGE
ICE MACHINE SERIES

Air-Cooled

- KM-350MAJ ★
- KM-520MAJ ★
- KM-660MAJ

Air-cooled model
shown on optional bin: B-300



Water-Cooled

- KM-350MWJ
- KM-520MWJ
- KM-660MWJ

Remote Air-Cooled

- KM-520MRJ ★
- KM-660MRJ



Features

- ▶ Individual crescent cube
- ▶ Factory-installed ultrasonic bin control can be adjusted on site
- ▶ Simple, one-hour cleaning process

- Durable construction with fewer parts
- Self-diagnostic programming automatically adjusts to changing conditions
- Snap fit parts for easy cleaning
- Stainless steel double-sided evaporator
- CycleSaver™ design
- Protected by H-GUARD Plus Antimicrobial Agent
- EverCheck™ alert system
- Removable air filters (air-cooled model only)
- R-404A Refrigerant

Available on Bins/Dispensers:

B-250PF **B-500PF/SF** **B-800PF/SF** **B-1150SS** **DB-130H**
B-300PF/SF **B-700PF/SF** **B-900PF/SF** **B-1300SS** **DB-200H**
Top kit may be required. See Bin Spec Sheets. **DM-200B**

Warranty:

3 Year Parts & Labor on entire machine 5 Year Parts & Labor on evaporator
 5 Year Parts on Compressor; air-cooled condenser coil
 Valid in United States, Canada, Puerto Rico and U.S. Territories. Contact factory for
 warranty in other countries.

Shipping: (LxWxH) 33" x 25.25" X 34" Volume: 16.39ft³



Condenser	Model	ICE PRODUCTION		WATER USAGE		ELECTRICAL							
		Air / Water Temp Lbs. per 24 hours 70°/50°F 90°/70°F		Potable Gal. per 100 lbs. 90°/70°F	Condenser Gal. per 100 lbs. 90°/70°F	kWh Used per 100 lbs. 90°/70°F	Min. Circuit Amp - Max. Fuse/Breaker	Amperage	Voltage	Circuit Wires (including ground)	Heat Rejection BTU/hr.	Refrigerant Charge Amount	Net / Ship Weight (lbs.)
Air	KM-350MAJ ★	489	393	14.5	N/A	5.42	15A	9.05A	115V/60/1	3	5,700	1 lb. 3.4 oz.	125 / 145
Water	KM-350MWJ	414	383	15.5	109	4.90	15A	7.5A	115V/60/1	3	6,600	11.6 oz.	126 / 146
Air	KM-520MAJ ★	556	480	14.7	N/A	4.68	20A	10.6A	115V/60/1	3	6,600	1 lb. 10.8 oz.	131 / 175
Water	KM-520MWJ	474	444	14.8	75	4.65	20A	8.45A	115V/60/1	3	6,300	12.7 oz.	127 / 173
Remote	KM-520MRJ ★	547	495	13.6	N/A	4.80	20A	12.05A	115V/60/1	3	6,200	2 lb. 4.7 oz. 4 lb. 2.7 oz.†	122 / 170
Air	KM-660MAJ	665	617	14.8	N/A	5.12	20A	15.2A	115V/60/1	3	8,000	1 lb. 9.8 oz.	131 / 151
Water	KM-660MWJ	669	668	16.1	152	4.28	20A	12.35A	115V/60/1	3	8,900	15.2 oz.	130 / 146
Remote	KM-660MRJ	646	602	14.7	N/A	5.60	20A	16.1A	115V/60/1	3	8,100	2 lb. 4.7 oz. 4 lb. 2.7 oz.†	122 / 142

† (with condenser)

Power cord not included. Must be hard-wired at site.
 Hoshizaki reserves the right to change specifications without notice.



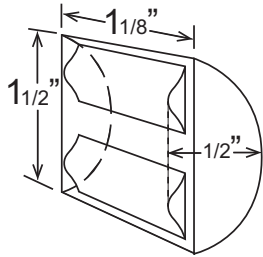
KM-350/520/660M_J

SLIM-LINE MODULAR CRESCENT CUBER



KM-350/520/660M_J
07/08/19
Item # 13260

KM Edge Cube Dimensions†



† approximate size in inches, image not to scale

Operating Limits

- Ambient Temp Range 45 - 100°F
- Water Temp Range 45 - 90°F
- Water Pressure 10 - 113 PSIG
- Voltage Range 104 - 127V

Service

- Panels easily removed and all components accessible for service.
- Removable/cleanable air filters. (Air-cooled model only)
- Allow 6" (15 cm) clearance at rear, sides, and top for proper air circulation and ease of maintenance/service.

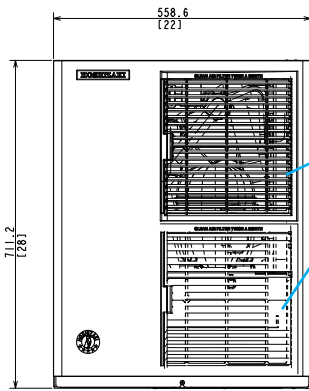
Plumbing

- Icemaker water supply line: minimum 1/4" nominal ID copper water tubing or equivalent
- Icemaker drain line: minimum 3/4" nominal ID hard pipe or equivalent Water-Cooled Model (Lines Must Be Independent of Icemaker)
- Condenser water supply line: minimum 1/4" nominal ID copper water tubing or equivalent
- Condenser drain/return line: minimum 1/4" nominal ID hard pipe (open drain system) or copper water tubing (closed loop system) or equivalent

Water Filter

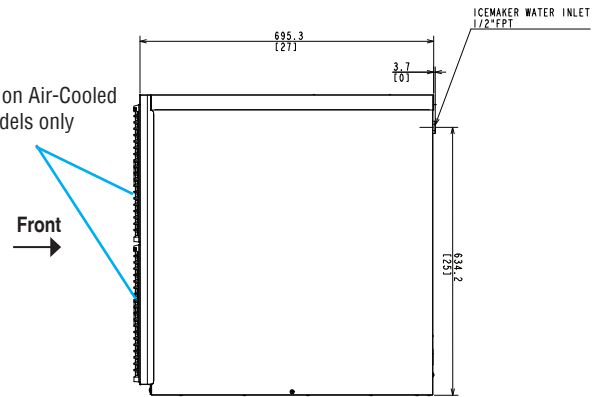
Please refer to water filter specification sheet for recommendations.

FRONT VIEW



Louvers on Air-Cooled models only

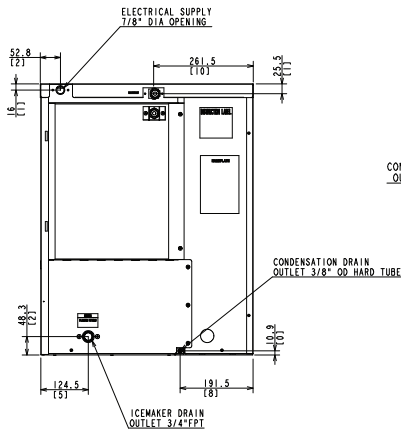
SIDE VIEW



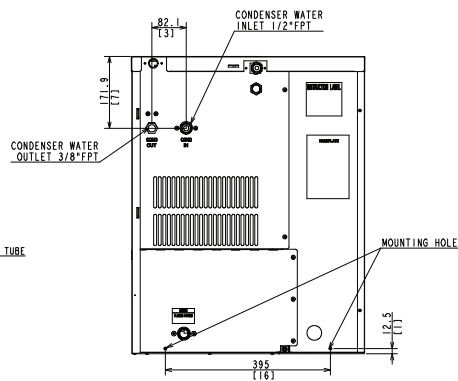
Louvers on Air-Cooled models only

Front

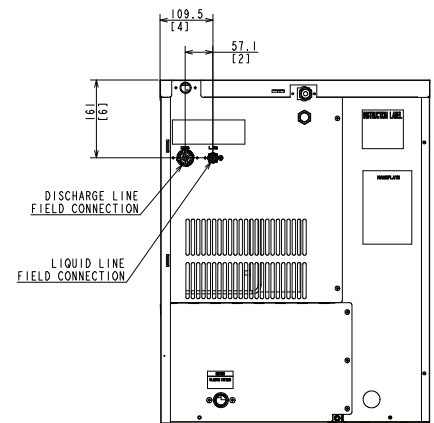
REAR VIEW



AIR-COOLED

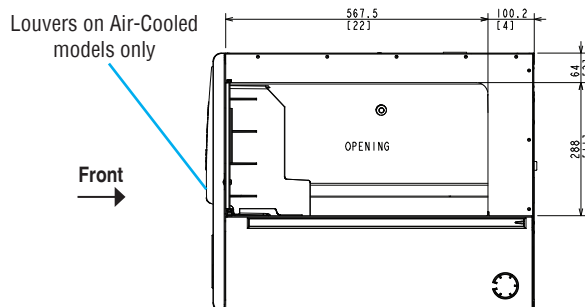


WATER-COOLED



REMOTE AIR-COOLED

BOTTOM VIEW

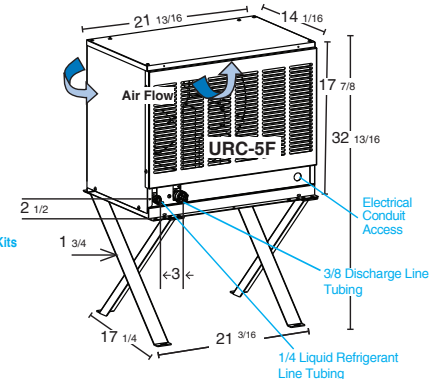


Louvers on Air-Cooled models only

Front

URC-5F Remote Condenser (Sold Separately) (W x D x H) 21 13/16 x 14 1/16 x 32 13/16

For Use with KM-520MRJ and KM-660MRJ



Pre-Charged Tubing Kits
(Sold Separately)
20' R404-2046-2
35' R404-3546-2

Voltage supply for the URC Remote Condenser is supplied from the Ice Maker. No additional circuit is required.