



# HOSHIZAKI

## Parts List

Modular Flaker

Models

F-300BAJ

F-500BAJ



[hoshizakiamerica.com](http://hoshizakiamerica.com)

Number: 71373  
Issued: 4-18-2018  
Revised: 4-5-2019

## CONTENTS

Auxiliary Codes.....	3
Note About Ordering Parts .....	3
A. Main Assembly & Refrigeration Circuit .....	4
F-300BAJ .....	4
F-500BAJ .....	6
B. Icemaking Unit .....	9
C. Water Circuit.....	11
F-300BAJ .....	11
F-500BAJ .....	13
D. Control Box Assembly.....	15
E. Accessories & Labels .....	17

## **Auxiliary Codes**

### **F-300BAJ**

F-0 October 2016  
G-0 January 2017  
G-1 June 2017  
G-2 July 2017  
H-0 January 2018  
H-1 March 2018  
H-2 August 2018  
J-0 January 2019

### **F-500BAJ**

F-0 November 2016  
G-0 February 2017  
G-1 June 2017  
G-2 July 2017  
G-3 November 2017  
H-0 January 2018  
H-1 March 2018  
H-2 August 2018  
J-0 January 2019

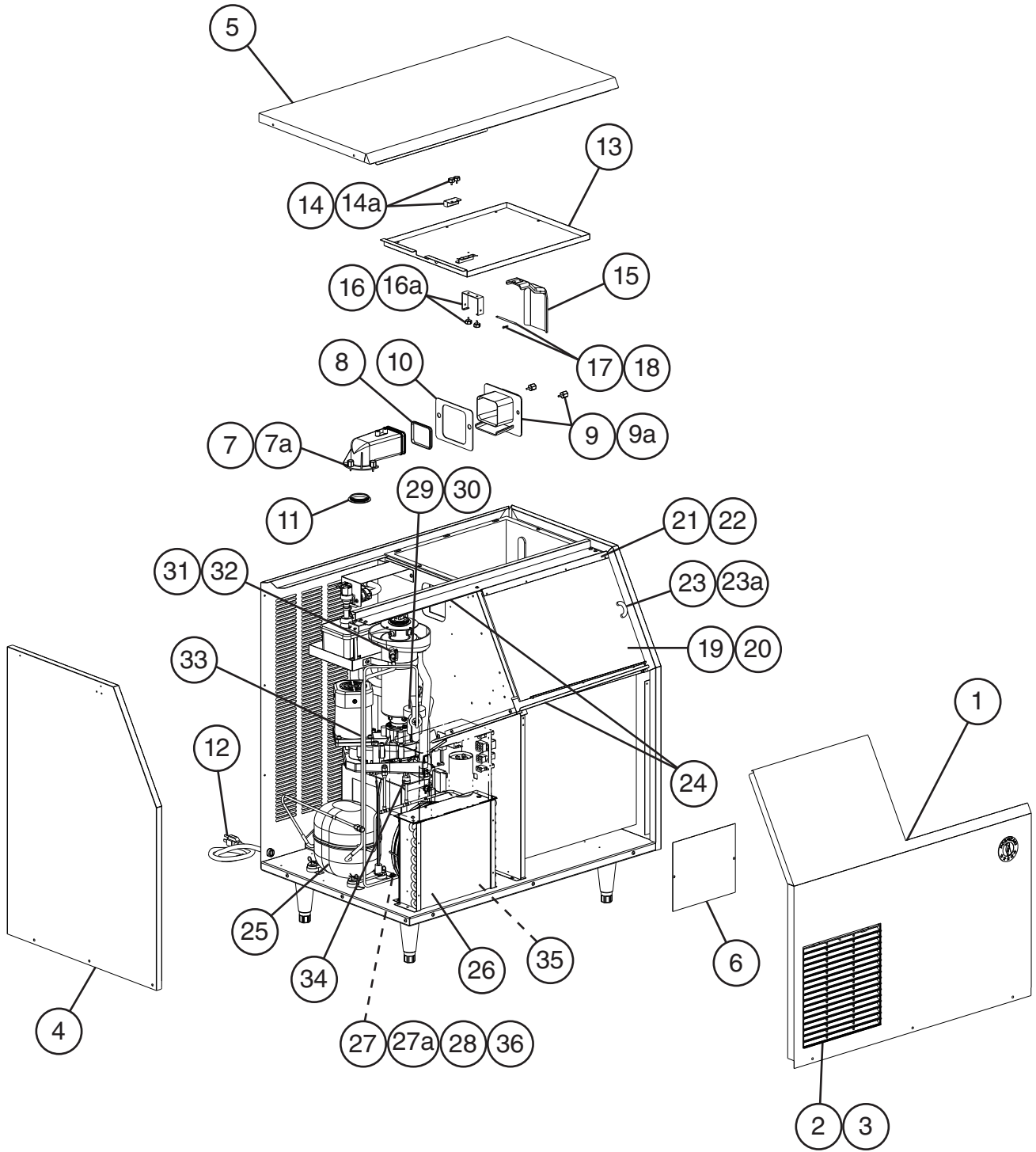
## **Auxiliary Code Breakdown**

The auxiliary code is the first two characters in the serial number. The first character indicates the year. Years progress or regress in alphabetical order. The series runs from "A" through "V" and the letters "I" and "O" are skipped. The second character indicates significant part changes within a year. Base is "0" and this number advances for each change. In cases where there is a letter in parentheses, this designates the month. This is the last character in the serial number. The series runs from "(A)" through "(M)" and the letter "(I)" is skipped. This designation is only included when identifying a parts change within an auxiliary code.

## **Note About Ordering Parts**

Most assemblies cannot be ordered as complete units; parts in the assemblies generally must be ordered separately.

**A. Main Assembly & Refrigeration Circuit**  
**F-300BAJ**  
F-0 to J-0



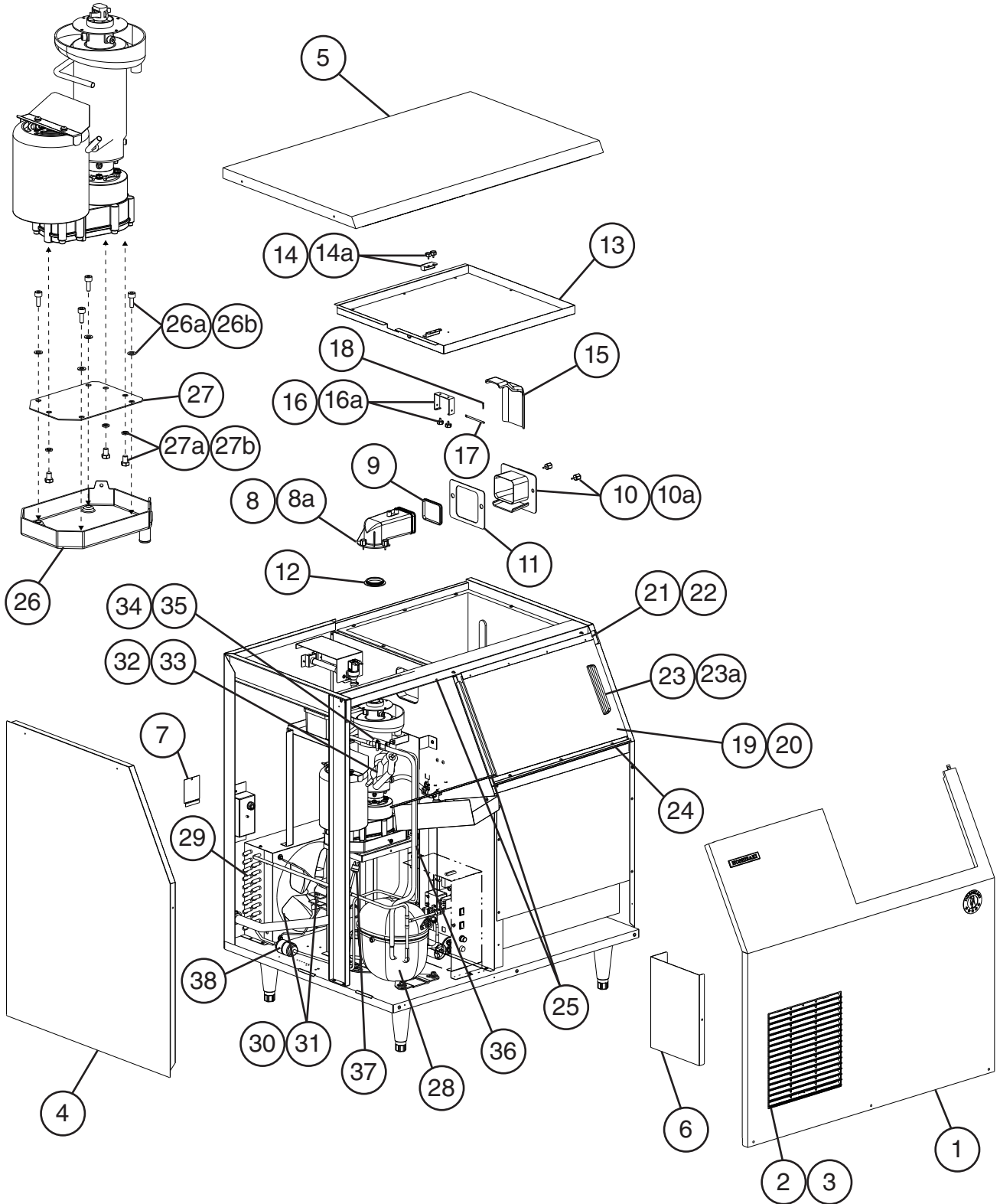
Title: A. Main Assembly & Refrigeration Circuit Model: F-300BAJ												
Index No.	Description	Material or Model Number	Part Number	Required Number								
				F-0 to J-0								
<b>Main Assembly</b>												
1	Front Panel		2A3875-01	1								
2	Louver		103121-03	1								
3	Air Filter		208283G03	1								
4	Left Side Panel		2A3874-01	1								
5	Top Panel		3A4053G01	1								
6	Control Box Cover		454838-01	1								
7	Spout A		232636G01	1								
7a	Thumbscrew		415949G11	3								
8	Spout Packing A		453663-01	1								
9	Spout B		232654-03	1								
9a	Thumbscrew		415949G11	2								
10	Spout Packing B		4A2769-01	1								
11	Packing		427151-01	1								
12	Power Supply Cord		4A1773-01	1								
13	Bin Top Cover		3A1545G01	1								
14	Bin Control Proximity Switch		4A2033-01	1								
14a	Thumbscrew		415949G08	2								
15	Bin Control Actuator		208795G01	1								
16	Bin Control Actuator Hinge		3A0762-01	1								
16a	Thumbscrew		415949G08	2								
17	Bin Control Actuator Shaft		412337-03	1								
18	Snap Pin		715S-0004	1								
19	Sliding Door Assembly (includes items 20 through 23a)		341381A01	1								
20	Sliding Door		454860-01	1								
21	Sliding Plate		454861-01	1								
22	Sliding Collar		454862-01	1								
23	Sliding Door Knob		444301-02	1								
23a	Hex Bolt	4x12, SS	7B02-0412	2								
24	Edging	L=850 mm	425931-04	2								
<b>Refrigeration Circuit</b>												
25	Compressor		4A6151-01	1								
26	Condenser		2A6415-01	1								
27	Fan Motor		4A5498-01	1								
27a	Self-Locking Hex Nut		7N2110832	4								
28	Fan Blade		3A5817-01	1								
29	Thermostatic Expansion Valve		4A1117-01	1								
30	Thermostatic Expansion Valve Cover		4A1168-01	1								
31	Thermostatic Expansion Valve Bulb Holder		3A0107-01	1								
32	Clamp		443461-01	1								
33	Heat Exchanger		2A8230G01	1								
34	High-Pressure Switch		463180-04	1								
35	Drier		4A1113-01	1								
36	Fan Guard/Fan Motor Bracket		2A5187-01	1								

# A. Main Assembly & Refrigeration Circuit

## F-500BAJ

1/2

F-0 to J-0

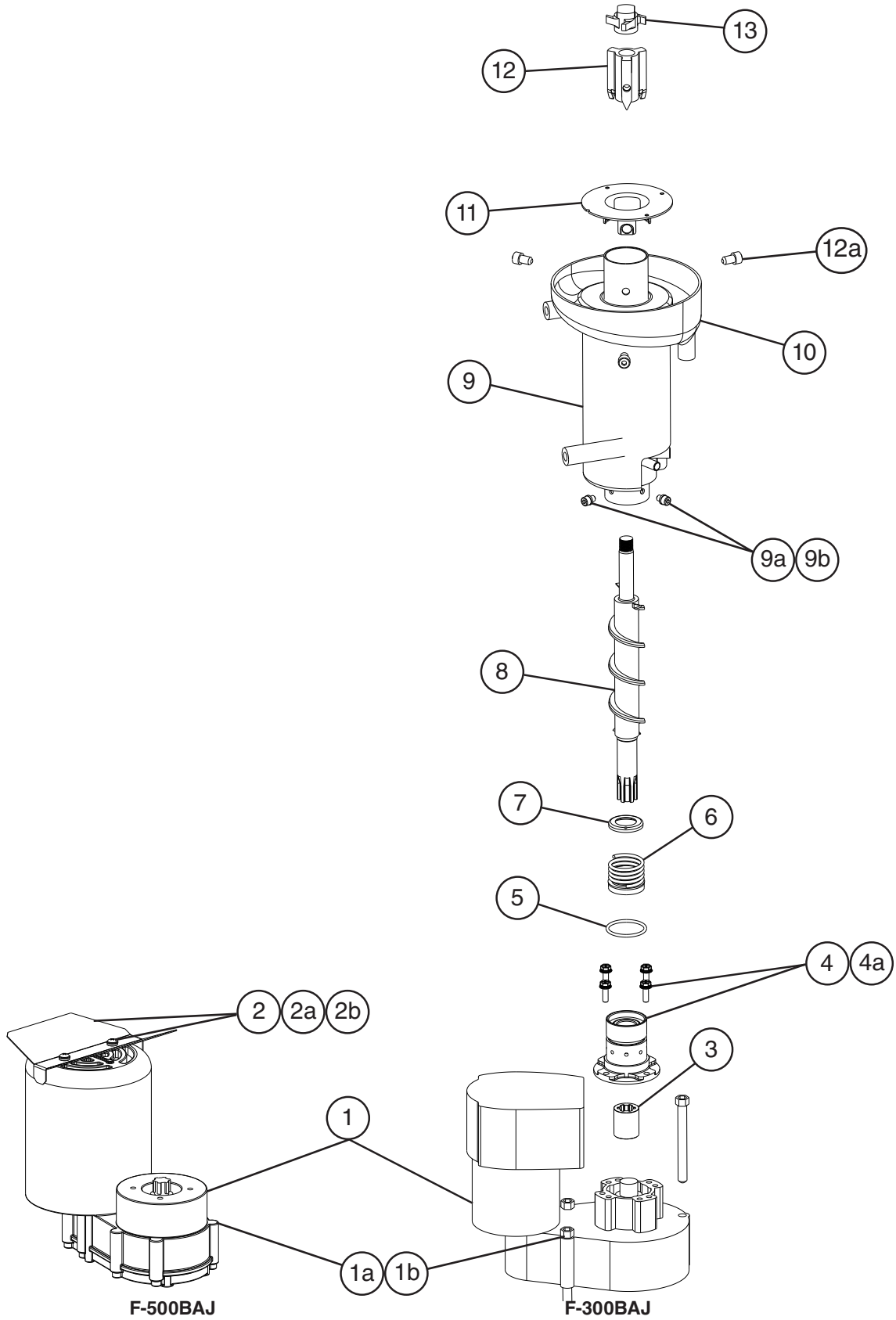


Title: A. Main Assembly & Refrigeration Circuit Model: F-500BAJ												
Index No.	Description	Material or Model Number	Part Number	F-0 to J-0	Required Number							
<b>Main Assembly</b>												
1	Front Panel		1A1056-01	1								
2	Louver		103121-03	1								
3	Air Filter		208283G03	1								
4	Left Side Panel		2A1607G01	1								
5	Top Panel		3A3495G01	1								
6	Control Box Cover		453692-01	1								
7	Junction Box Cover		433410-01	1								
8	Spout A		232636G01	1								
8a	Thumbscrew		415949G11	2								
9	Spout Packing A		453663-01	1								
10	Spout B		232654-03	1								
10a	Thumbscrew		415949G11	3								
11	Spout Packing B		4A2769-01	1								
12	Packing		427151-01	1								
13	Bin Top Cover		3A1525G01	1								
14	Bin Control Proximity Switch		4A2033-01	1								
14a	Thumbscrew		415949G08	2								
15	Bin Control Actuator		208795G01	1								
16	Bin Control Actuator Hinge		3A0762-01	1								
16a	Thumbscrew		415949G08	2								
17	Bin Control Actuator Shaft		412337-03	1								
18	Snap Pin		715S-0004	1								
19	Sliding Door Assembly (includes items 22 through 25a)		339858A01	1								
20	Sliding Door		453697-01	1								
21	Sliding Door Plate		453698-01	1								
22	Sliding Door Collar		453699-01	1								
23	Sliding Door Handle		339877G01	1								
23a	Hex Bolt	4x12, SS	7B02-0412	2								
24	Deflector		3A9164-01	1								
25	Edging	L=900 mm	425931-05	2								
26	Drain Pan		4A4354G02	1								
26a	Socket Head Cap Screw		7S12-0820	4								
26b	Flat Washer		7W22-0800	4								
27	Gear Motor Bracket		4A4308-01	1								
27a	Hex Bolt	8x12, SS	7B02-0812	3								
27b	Split Lock Washer		7L22-0800	3								

Title: A. Main Assembly & Refrigeration Circuit Model: F-500BAJ												
Index No.	Description	Material or Model Number	Part Number	Required Numbe								
				F-0 to J-0								
<b>Refrigeration Circuit</b>												
28	Compressor		4A4479-01	1								
29	Condenser		227142-01	1								
30	Fan Motor		4A6115-01	1								
31	Fan Blade		444898-01	1								
32	Thermostatic Expansion Valve		4A1117-01	1								
33	Thermostatic Expansion Valve Cover		4A1168-01	1								
34	Thermostatic Expansion Valve Bulb Holder		3A0112-01	1								
35	Clamp		443461-01	1								
36	Heat Exchanger		2A8234G01	1								
37	High-Pressure Switch		463180-04	1								
38	Drier		4A1113-01	1								
39	Fan Motor Bracket		2A7974-01	1								



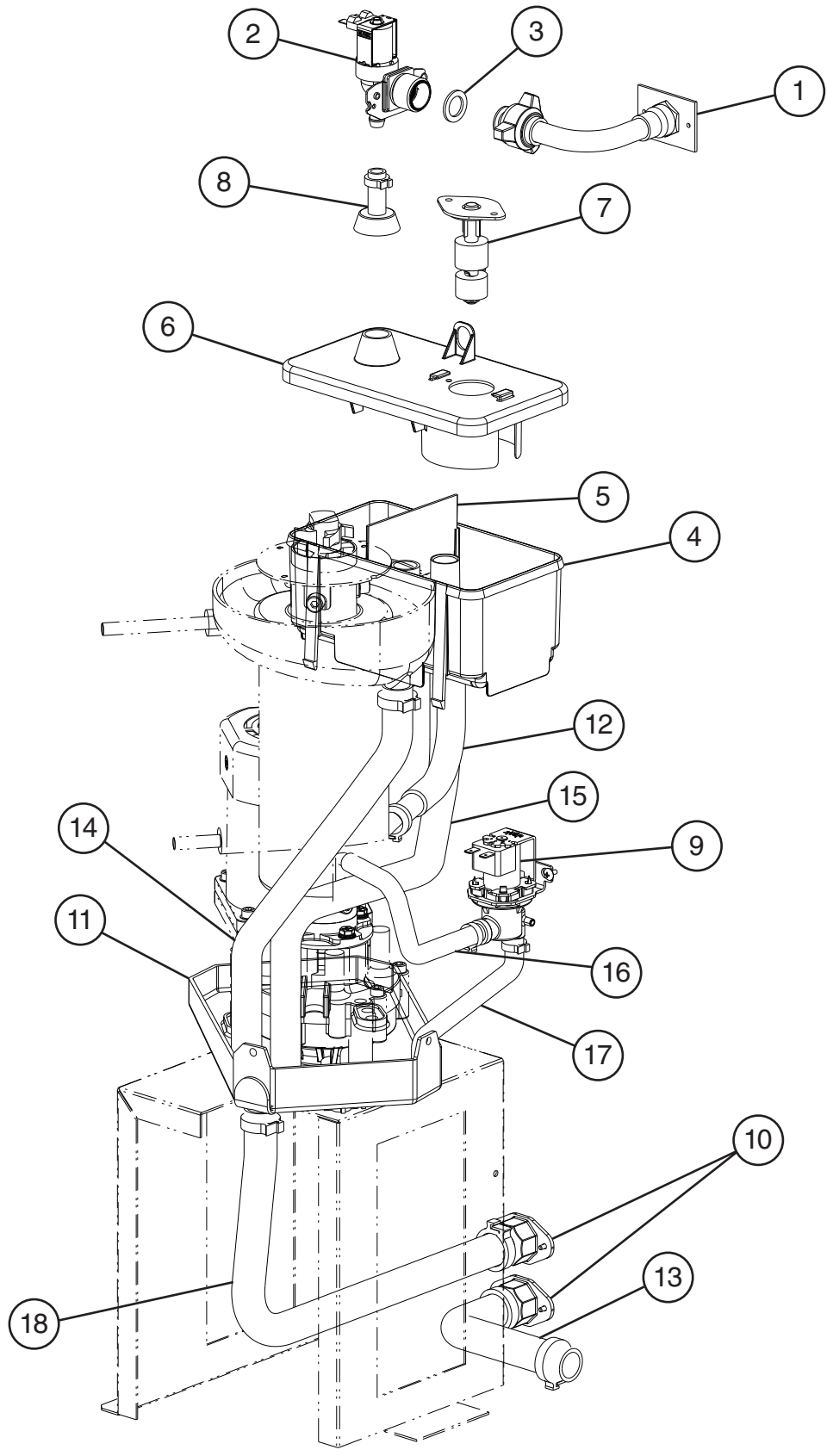
**B. Icemaking Unit**  
**F-300BAJ, F-500BAJ**  
 F-0 to J-0



**Title: B. Icemaking Unit Model: F-300BAJ, F-500BAJ**

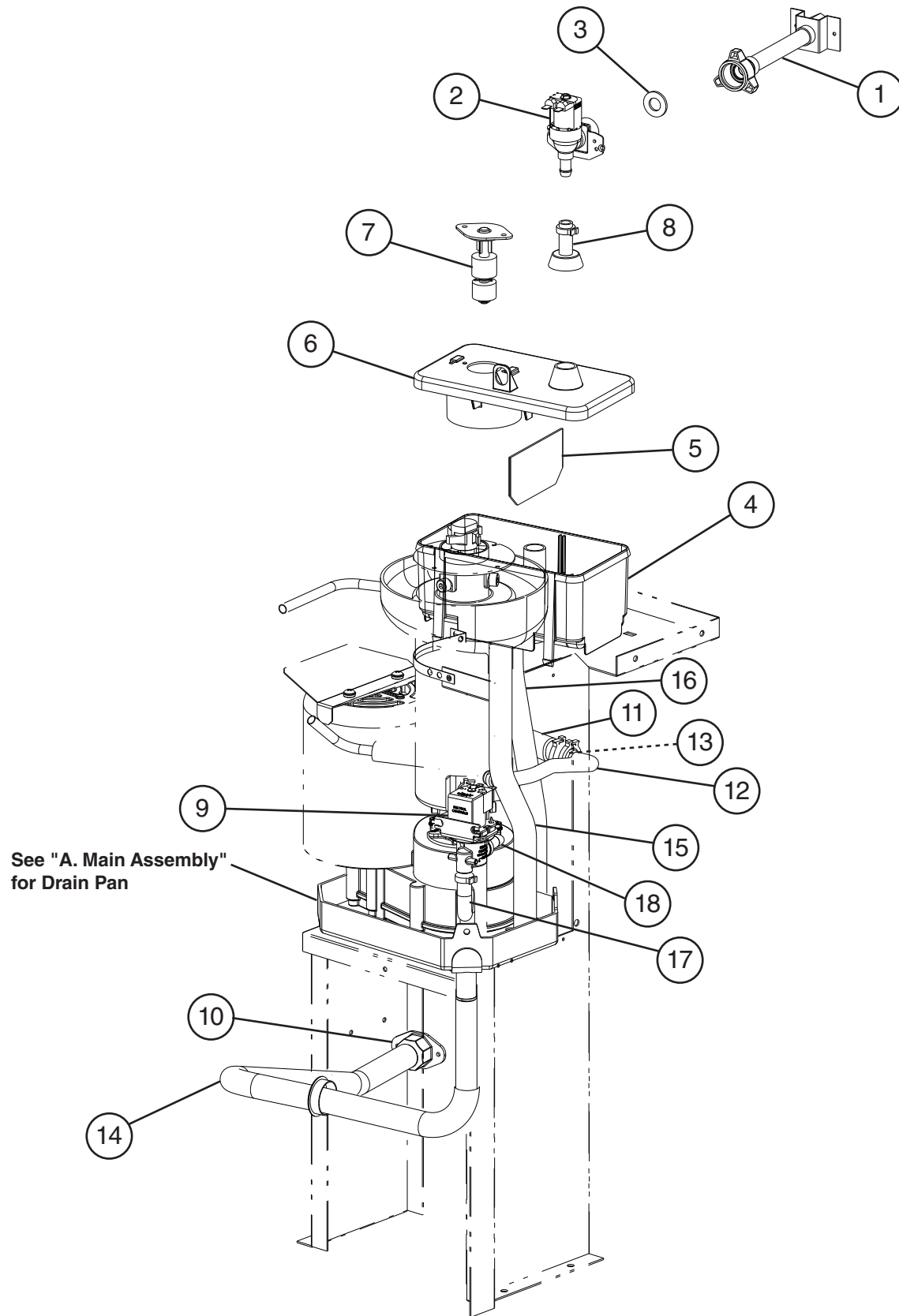
Index No.	Description	Material or Model Number	Part Number	Required Number									
				F-0 to G-1	G-2 to H-1	H-2 J-0							
1	Gear Motor	<b>F-300BAJ</b>	4A5439-01	1	1	-							
			2U0147-01			1							
		<b>F-500BAJ</b>	4A4321-01	1	1	1							
1a	Socket Head Hex Bolt	<b>F-300BAJ</b>	7S12-0895	3	3	3							
1b	Split Lock Washer		7L22-0800	3	3	3							
2	Gear Motor Cover	<b>F-500BAJ</b>	3A4584-01	1	1	1							
2a	Truss Head Screw		7C32-0508	2	2	2							
2b	Rubber Seal Washer		4A5268-02	2	2	2							
3	Spline Coupling		418316-01	1	1	1							
4	Housing		383613G01	1	1	1							
4a	Hex Bolt		4A1989-01	4	4	4							
5	O-Ring		4A4755-01	1	1	1							
6	Mechanical Seal		432491-01	1	1	1							
7	Ring B		432494-01	1	1	1							
8	Auger	<b>F-300BAJ</b>	361013G01	1	-								
			269909G01		1	1							
		<b>F-500BAJ</b>	341448G01	1	-								
			269912G01		1	1							
9	Evaporator		2A7797G01	1	1	1							
9a	Split Lock Washer		7L22-0600	4	4	4							
9b	Socket Head Cap Screw	6x10	7S12-0610	4	4	4							
10	Drip Pan		2A4118-01	1	1	1							
11	Flange	<b>F-300BAJ</b>	464843-01	1	1	1							
		<b>F-500BAJ</b>	464843-02	1	1	1							
12	Extruding Head		340077G02	1	1	1							
12a	Seal Bolt		P01768-02	3	3	3							
13	Cutter		453790-01	1	1	1							

**C. Water Circuit**  
**F-300BAJ**  
F-0 to J-0



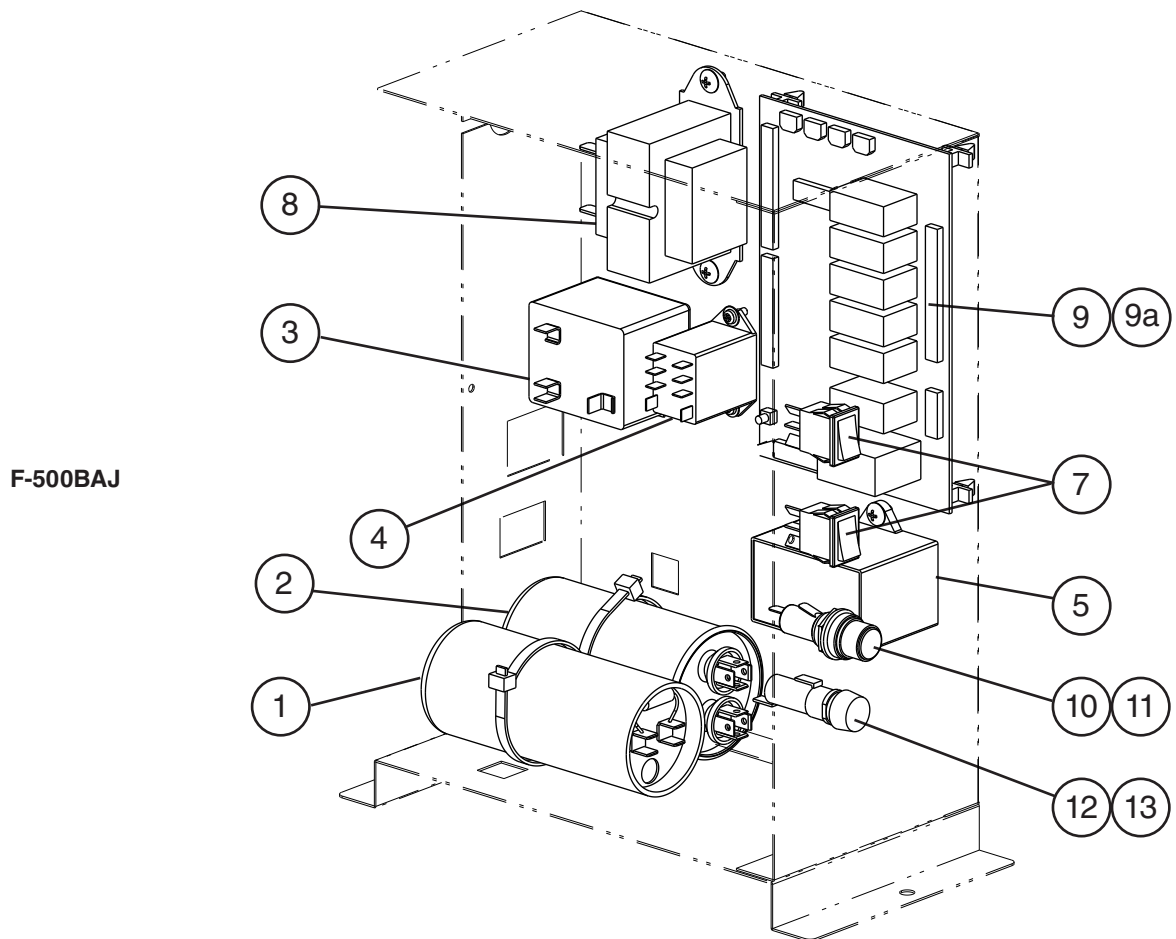
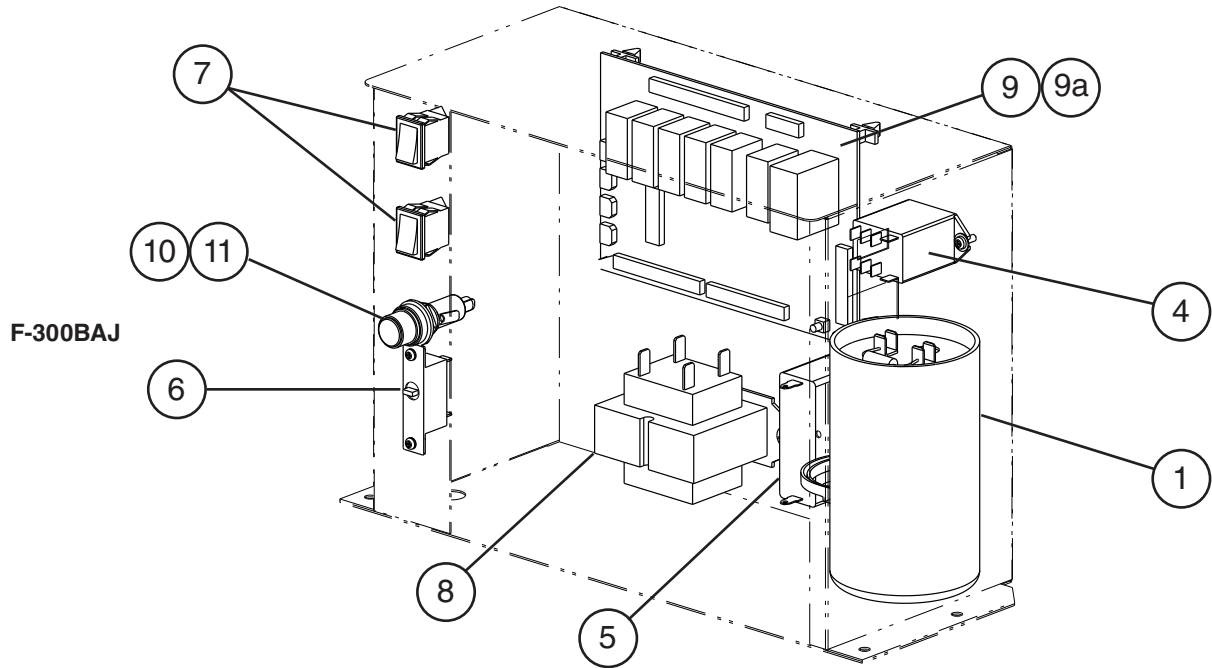
Title: C. Water Circuit Model: F-300BAJ												
Index No.	Description	Material or Model Number	Part Number	Required Number								
				F-0 to J-0								
1	Water Supply Pipe		4A5975G01	1								
2	Inlet Water Valve		4A5309-01	1								
3	Washer		413854-03	1								
4	Reservoir		2A0753-01	1								
5	Reservoir Separator		4A1255-01	1								
6	Reservoir Cover		214810-01	1								
7	Float Switch		435490-01	1								
8	Reservoir Inlet		4A0869-01	1								
9	Drain Valve	<b>F-300BAJ</b>	4A2772-02	1								
10	Drain Fitting		4A5527-01	2								
11	Drain Pan		323765G01	1								
12	Reservoir Hose		4A1165-13	1								
13	Bin Drain Hose		4A1551-05	1								
14	Vinyl Hose (drip pan hose)	L=353 mm	7725-1923	1								
15	Vinyl Hose (reservoir overflow)	L=492 mm	7725-1923	1								
16	Silicone Hose (evaporator drain)	L=195 mm	7730I3896	1								
17	Silicone Hose (drain valve)	L=150 mm	7730I3896	1								
18	Drain Hose	L=467 mm	7716-2025	1								
<b>Hose Clamps</b>												
	Hose Clamp	21-26 mm	4A2017-01	3								
	Hose Clamp	26-30 mm	4A2017-02	3								
	Hose Clamp	17-21mm	4A2017-05	1								
	Hose Clamp	15-17 mm	4A2017-06	1								
	Hose Clamp	13.5-15 mm	4A2017-08	4								

**C. Water Circuit**  
**F-500BAJ**  
F-0 to J-0



Title: C. Water Circuit Model: F-500BAJ												
Index No.	Description	Material or Model Number	Part Number	Required Number								
				F-0 to J-0								
1	Water Supply Pipe		4A0891G02	1								
2	Inlet Water Valve		4A5309-01	1								
3	Washer		413854-03	1								
4	Reservoir		2A0753-01	1								
5	Reservoir Separator		4A1255-01	1								
6	Reservoir Cover		214810-01	1								
7	Float Switch		435490-01	1								
8	Reservoir Inlet		4A0869-01	1								
9	Drain Valve		4A2772-01	1								
10	Drain Fitting		4A5527-01	1								
11	Reservoir Hose		4A1165-02	1								
12	Silicone Hose (reservoir hose extension)	L=180 mm	7730I3896	1								
13	Barb Coupling		4A5269-01	1								
14	Drain Hose	L=700 mm	7716-2025	1								
15	Vinyl Hose (drip pan hose)	L=360 mm	7725-1923	1								
16	Vinyl Hose (reservoir overflow)	L=290 mm	7730-1822	1								
17	Silicone Hose (drain valve)	L=190 mm	7730I3896	1								
18	Silicone Hose (evaporator drain)	L=160 mm	7730I3896	1								
<b>Hose Clamps</b>												
	Hose Clamp	17-21mm	4A2017-05	2								
	Hose Clamp	15-17 mm	4A2017-06	1								
	Hose Clamp	13.5-15 mm	4A2017-08	5								

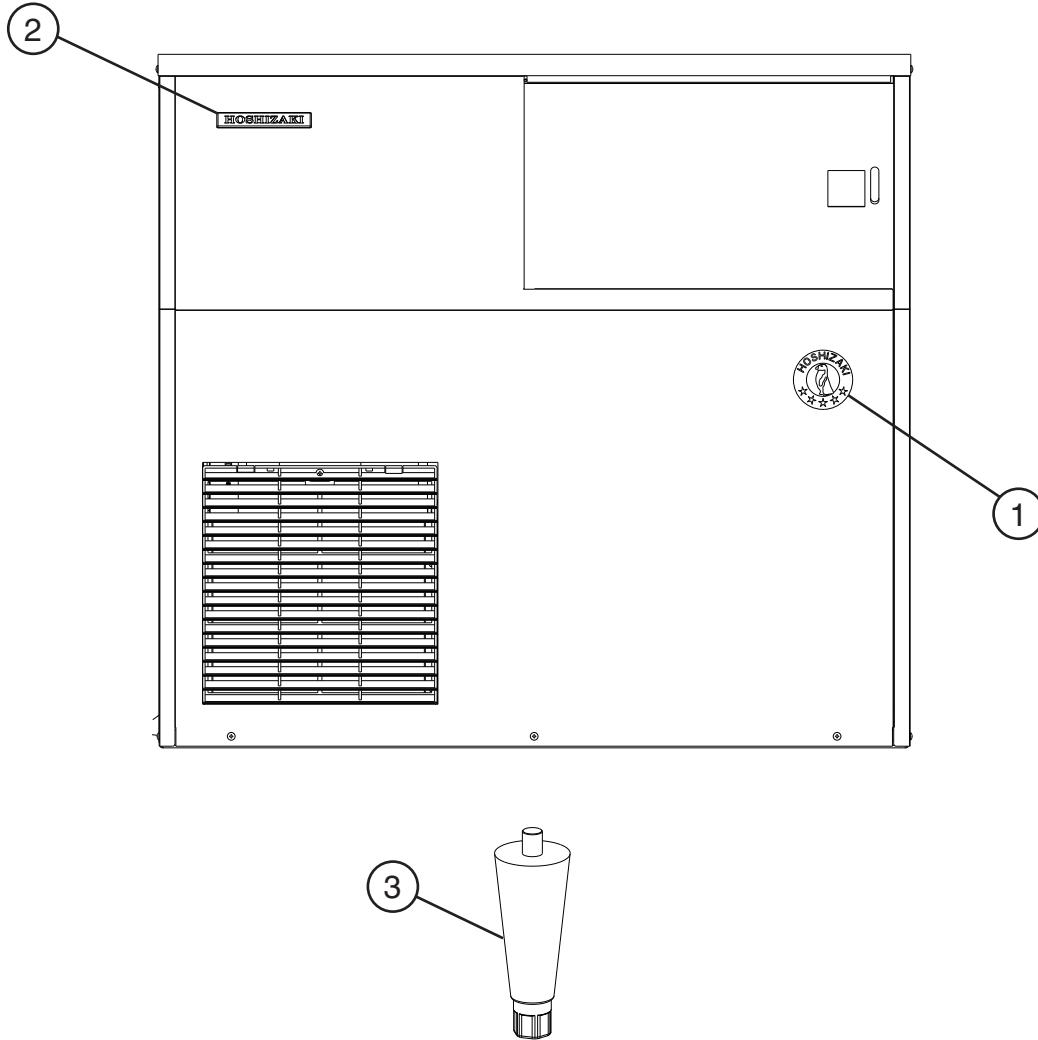
**D. Control Box Assembly**  
**F-300BAJ, F-500BAJ**  
 F-0 to J-0



Title: D. Control Box Assembly Model: F-300BAJ, F-500BAJ											
Index No.	Description	Material or Model Number	Part Number	Required Number							
				F-0 G-2	H-0 H-1	H-2 J-0					
1	Start Capacitor	<b>F-300BAJ</b> 189-227MFD, 330VAC	3A0076-12	1	1	1					
		<b>F-500BAJ</b> 243-292MFD, 165VAC	3A0076-20	1	1	1					
2	Run Capacitor	<b>F-500BAJ</b> 35MFD, 440VAC	3A2005-12	1	1	1					
3	Start Relay	<b>F-500BAJ</b>	4A1107-11	1	1	1					
4	Compressor Control Relay	24VAC	406132-07	1	1	1					
5	Gear Motor Capacitor	<b>F-300BAJ</b> 10MFD, 250VAC	443192-01	1	1	1					
		<b>F-500BAJ</b> 20MFD, 350VAC	4A4319-01	1	1	1					
6	Gear Motor Protector	<b>F-300BAJ</b> 1.6A	427253-01	1	-						
		<b>F-300BAJ</b> 1.0A	4A6087-01		1	-					
		<b>F-300BAJ</b> 2.0A	P04531-02			1					
7	Rocker Switch (control & power)		4A0558-01	2	2	2					
8	Control Transformer		4A0557-01	1	1	1					
9	Control Board		2A8054-01	1	1	1					
9a	Control Board Support		4A0336-03	4	4	4					
10	Fuse Holder		4A5443-01	1	1	1					
11	Fuse	AGC-1A, 250VAC	4A0893-01	1	1	1					
12	Fuse Holder	<b>F-500BAJ</b>	4A6101-01	1	1	1					
13	Fuse	<b>F-500BAJ</b> GMD-2A, 250VAC	4A0893-05	1	1	1					



**E. Accessories & Labels**  
**F-300BAJ, F-500BAJ**  
 F-0 to J-0



Title: E. Accessories & Labels Model: F-300BAJ, F-500BAJ										
Index No.	Description	Material or Model Number	Part Number	Required Number						
				F-0 to J-0						
1	Penguin Label		475552L01	1						
2	Hoshizaki Emblem		4A0560-01	1						
3	Leg		4A2525-01	4						
4	Scoop		4A2246-01	1						