



# HOSHIZAKI

## Parts List

Modular Crescent Cuber

Models

KMD-460MAJ, MWJ

KMD-530MAJ, MWJ, MRJ



[hoshizakiamerica.com](http://hoshizakiamerica.com)

Number: 71417  
Issued: 2-12-2019  
Revised: 5-9-2019

## CONTENTS

Auxiliary Codes.....	3
Note About Ordering Parts .....	4
A. Main Assembly & Refrigeration Circuit .....	5
KMD-460MAJ, KMD-530MAJ.....	5
KMD-460MWJ, KMD-530MWJ.....	7
KMD-530MRJ.....	9
B. Water Circuit .....	11
C. Control Box Assembly .....	13
D. Accessories & Labels .....	15

## **Auxiliary Codes**

### **KMD-460MAJ**

H-0 September 2018

J-0 January 2019

J-1 April 2019

### **KMD-460MWJ**

H-0 September 2018

J-1 April 2019

### **KMD-530MAJ**

J-0 April 2019

### **KMD-530MWJ**

J-0 April 2019

### **KMD-530MRJ**

J-0 April 2019

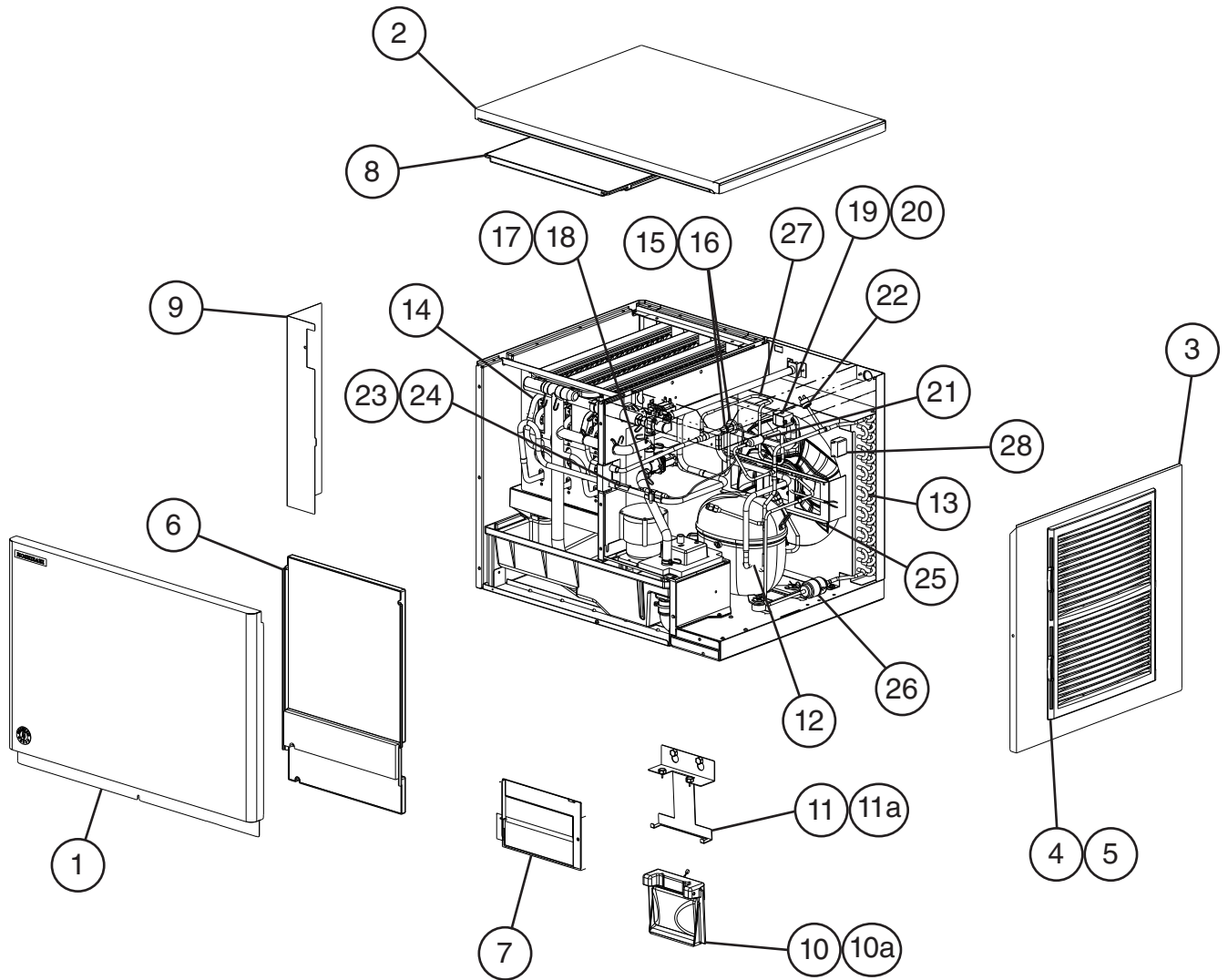
## **Auxiliary Code Breakdown**

The auxiliary code is the first two characters in the serial number. The first character indicates the year. Years progress or regress in alphabetical order. The series runs from "A" through "V" and the letters "I" and "O" are skipped. The second character indicates significant part changes within a year. Base is "0" and this number advances for each change. In cases where there is a letter in parentheses, this designates the month. This is the last character in the serial number. The series runs from "(A)" through "(M)" and the letter "(I)" is skipped. This designation is only included when identifying a parts change within an auxiliary code.

## **Note About Ordering Parts**

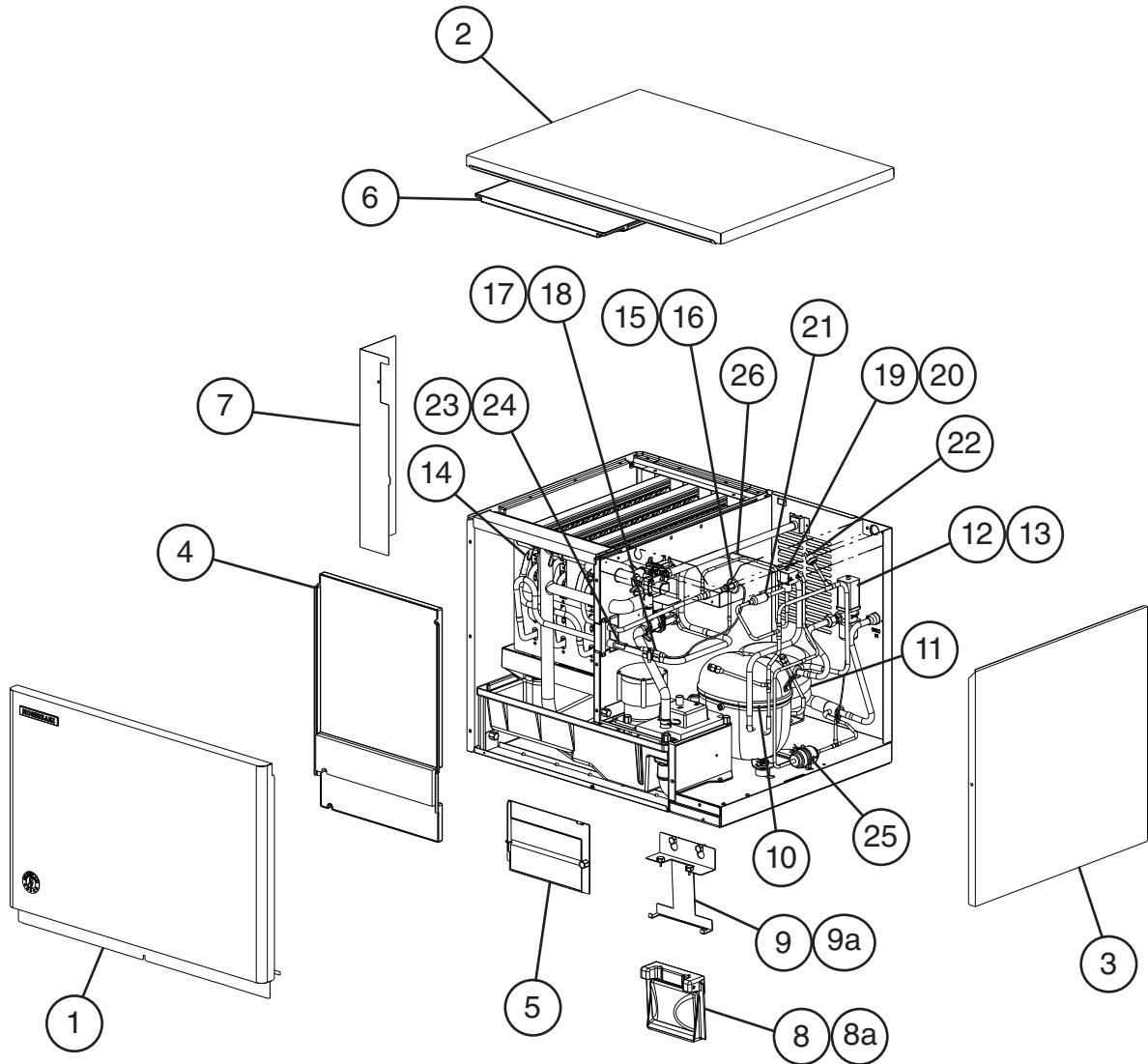
Most assemblies cannot be ordered as complete units; parts in the assemblies generally must be ordered separately.

**A. Main Assembly & Refrigeration Circuit**  
**KMD-460MAJ, KMD-530MAJ**  
H-0 to J-1



<b>Title: A. Main Assembly &amp; Refrigeration Circuit    Model: KMD-460MAJ, KMD-530MAJ</b>													
Index No.	Description	Material or Model Number	Part Number	Required Number									
				H-0 to J-1									
<b>Main Assembly</b>													
1	Front Panel	SP-5347	3A9530G01	1									
2	Top Panel		3A4373G01	1									
3	Right Side Panel		2A4137G01	1									
4	Louver		1A1329-01	1									
5	Air Filter		2A4128G01	2									
6	Front Insulation A		3A5570G01	1									
7	Front Insulation B		3A4386G01	1									
8	Top Insulation		3A4394G01	1									
9	Control Box Cover		3A8289-01	1									
10	Bin Control		2A8598G02	1									
10a	Thumbscrew		415949G10	2									
11	Bin Control Bracket		3A8283-01	1									
11a	Thumbscrew		415949G10	2									
<b>Refrigeration Circuit</b>													
12	Compressor	<b>KMD-460MAJ</b>	4A4479-01	1									
		<b>KMD-530MAJ</b>	4A4376-01	1									
13	Condenser		1A1363-01	1									
14	Evaporator		2A7811G01	1									
15	Thermostatic Expansion Valve		4A1414-01	1									
16	Thermostatic Expansion Valve Cover		3A0944-01	1									
17	Thermostatic Expansion Valve Holder		3A0107-01	1									
18	Clamp		443461-02	1									
19	Hot Gas Valve Body		4A3978-01	1									
20	Valve Coil		4A3277-01	1									
21	Strainer		441569-02	1									
22	High-Pressure Switch		463180-04	1									
23	Thermistor		429006-03	1									
24	Thermistor Holder		427430-01	1									
25	Fan Motor (includes blade)		P02596-01	1									
26	Drier		4A1113-01	1									
27	Heat Exchanger	<b>KMD-460MAJ</b>	4A6326G01	1									
		<b>KMD-530MAJ</b>	1A3477G01	1									
28	Fan Motor Capacitor	6MFD, 220VAC	4A2128-08	1									

**A. Main Assembly & Refrigeration Circuit**  
**KMD-460MWJ, KMD-530MWJ**  
H-0 to J-1



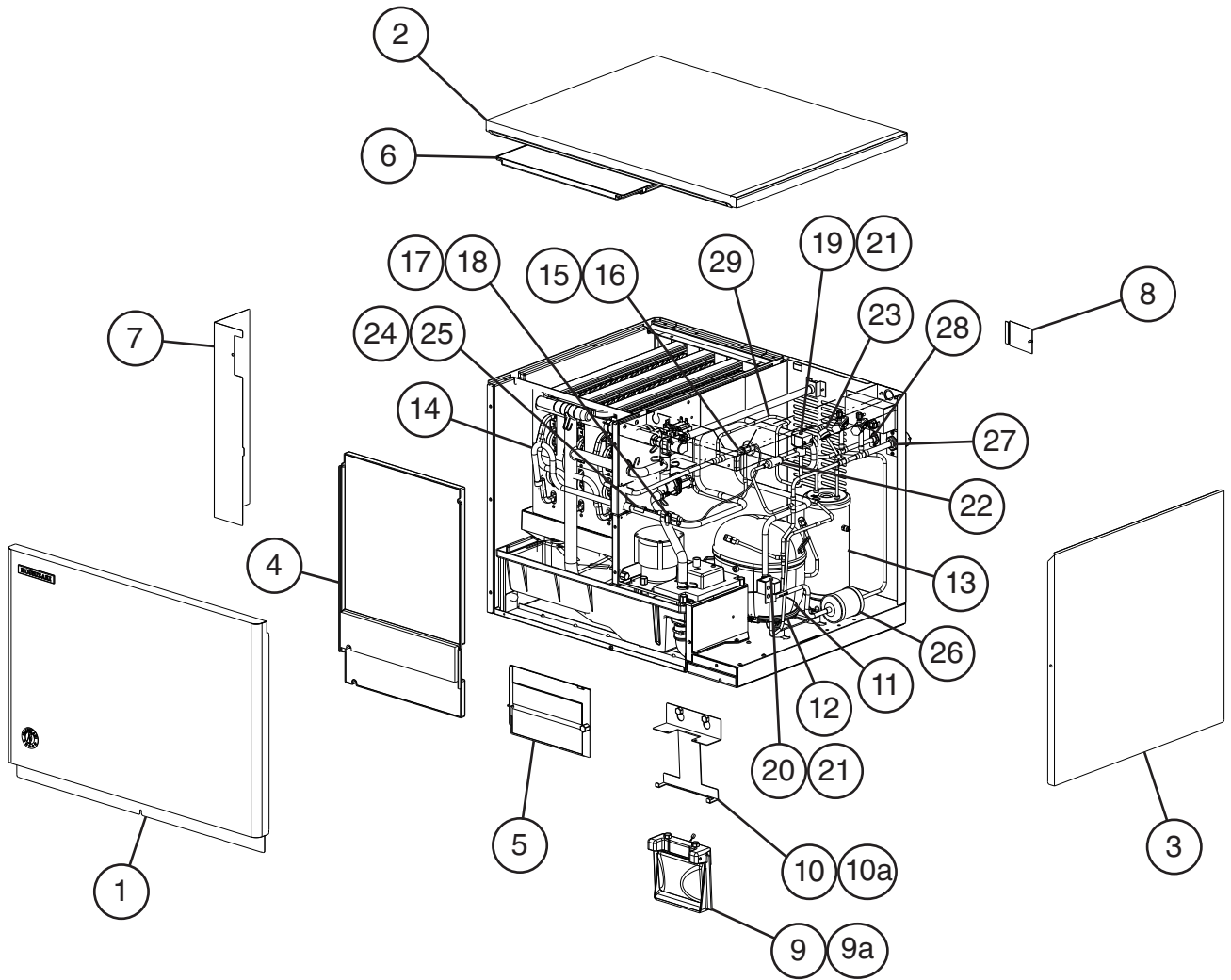
<b>Title: A. Main Assembly &amp; Refrigeration Circuit    Model: KMD-460MWJ, KMD-530MWJ</b>													
Index No.	Description	Material or Model Number	Part Number	H-0 to J-1	Required Number								
<b>Main Assembly</b>													
1	Front Panel	SP-5347	3A9530G01	1									
2	Top Panel		3A4373G01	1									
3	Right Side Panel		2A4173G01	1									
4	Front Insulation A		3A5570G01	1									
5	Front Insulation B		3A4386G01	1									
6	Top Insulation		3A4394G01	1									
7	Control Box Cover		3A8289-01	1									
8	Bin Control		2A8598G02	1									
8a	Thumbscrew		415949G10	2									
9	Bin Control Bracket		3A8283-01	1									
9a	Thumbscrew		415949G10	2									
<b>Refrigeration Circuit</b>													
10	Compressor	<b>KMD-460MWJ</b>	4A4479-01	1									
		<b>KMD-530MWJ</b>	4A4376-01	1									
11	Condenser		3A8514-01	1									
12	Water Regulator		4A0911-06	1									
13	Male Connector		4A1087-01	1									
14	Evaporator		2A7811G01	1									
15	Thermostatic Expansion Valve		4A1414-01	1									
16	Thermostatic Expansion Valve Cover		3A0944-01	1									
17	Thermostatic Expansion Valve Holder		3A0107-01	1									
18	Clamp		443461-02	1									
19	Hot Gas Valve Body		4A3978-01	1									
20	Valve Coil		4A3277-01	1									
21	Strainer		441569-02	1									
22	High-Pressure Switch		463180-05	1									
23	Thermistor		429006-03	1									
24	Thermistor Holder		427430-01	1									
25	Drier		4A1113-01	1									
26	Heat Exchanger	<b>KMD-460MWJ</b>	1A5318G01	1									
		<b>KMD-530MWJ</b>	1A3477G01	1									



# A. Main Assembly & Refrigeration Circuit

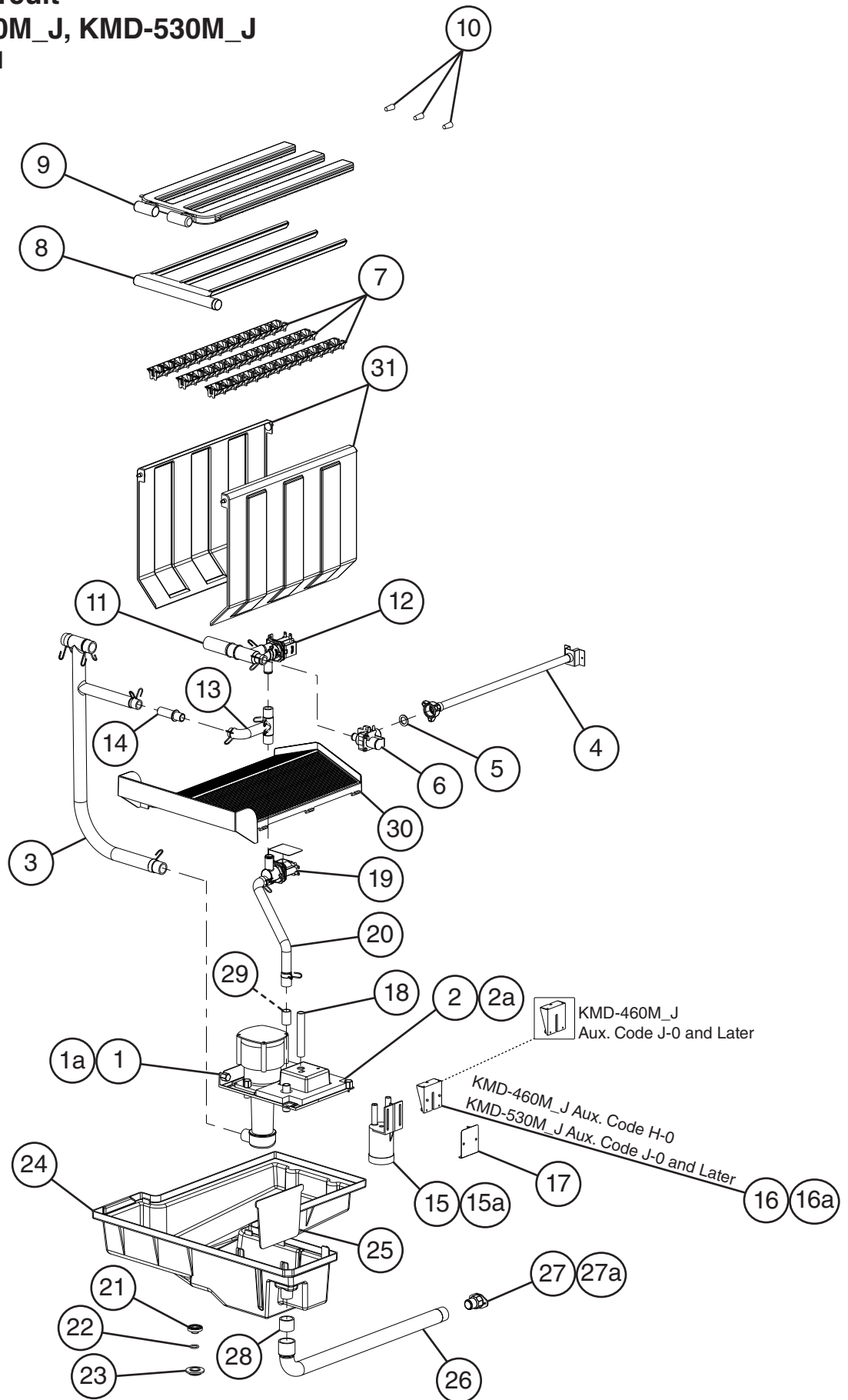
## KMD-530MRJ

J-0



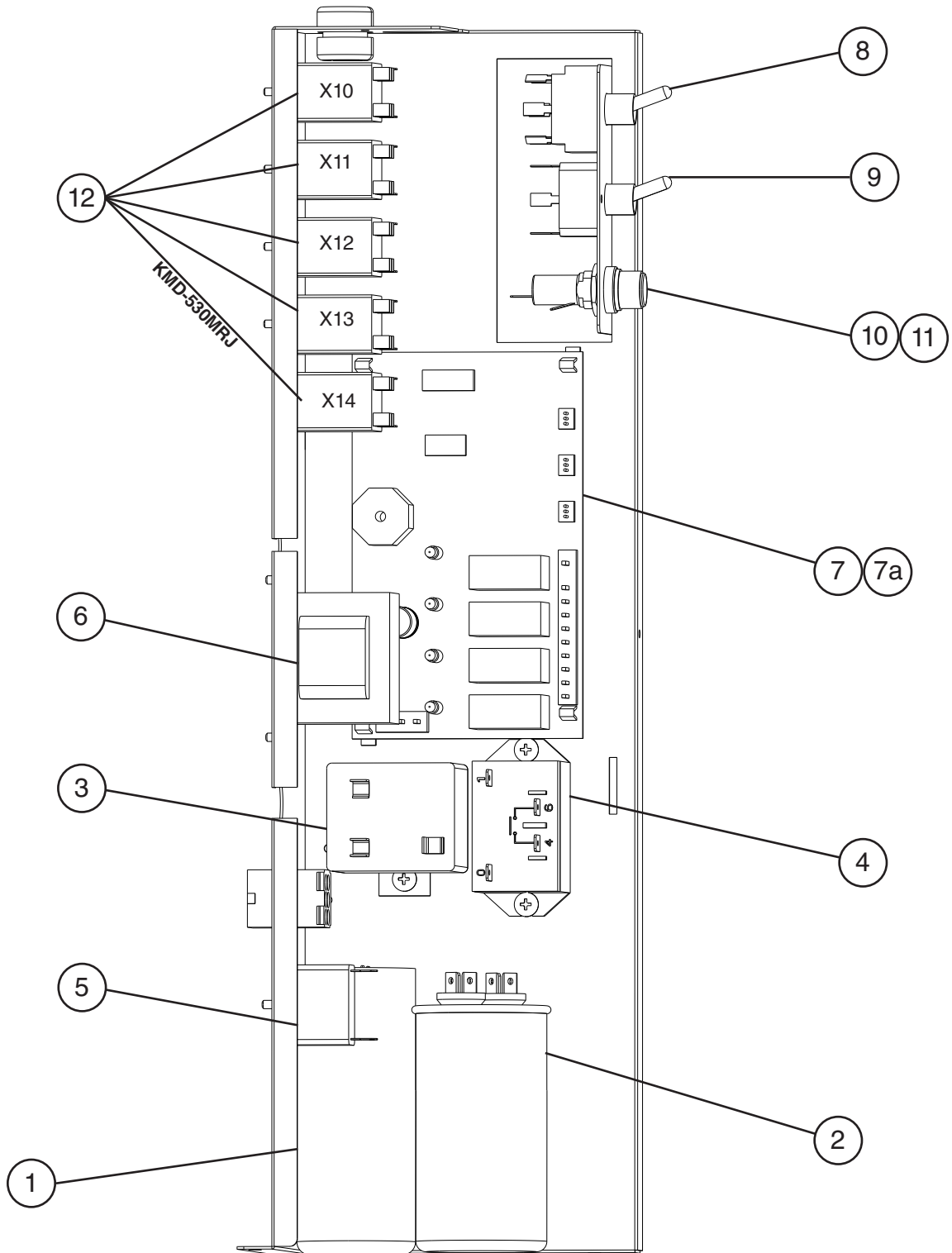
<b>Title: A. Main Assembly &amp; Refrigeration Circuit Model: KMD-530MRJ</b>													
Index No.	Description	Material or Model Number	Part Number	Required Number									
				J-0									
<b>Main Assembly</b>													
1	Front Panel	SP-5347	3A9530G01	1									
2	Top Panel		3A4373G01	1									
3	Right Side Panel		2A4173G01	1									
4	Front Insulation A		3A5570G01	1									
5	Front Insulation B		3A4386G01	1									
6	Top Insulation		3A4394G01	1									
7	Control Box Cover		3A8289-01	1									
8	Junction Box Cover		433410-01	1									
9	Bin Control		2A8598G02	1									
9a	Thumbscrew		415949G10	2									
10	Bin Control Bracket		3A8283-01	1									
10a	Thumbscrew		415949G10	2									
<b>Refrigeration Circuit</b>													
11	Compressor		4A4376-01	1									
12	Crankcase Heater		4A5091-01	1									
13	Receiver		4A6212-01	1									
14	Evaporator		2A7811G01	1									
15	Thermostatic Expansion Valve		4A1414-01	1									
16	Thermostatic Expansion Valve Cover		3A0944-01	1									
17	Thermostatic Expansion Valve Bulb Holder		3A0107-01	1									
18	Clamp		443461-02	1									
19	Hot Gas Valve Body		4A3978-01	1									
20	Liquid Line Valve Body		4A3276-01	1									
21	Valve Coil		4A3277-01	2									
22	Strainer		441569-02	1									
23	High-Pressure Switch		463180-04	1									
24	Thermistor		429006-03	1									
25	Thermistor Holder		427430-01	1									
26	Drier		4A1338-01	1									
27	Discharge Line Coupling		434072-01	1									
28	Liquid Line Coupling		426554-01	1									
29	Heat Exchanger		1A3477G01	1									

**B. Water Circuit**  
**KMD-460M\_J, KMD-530M\_J**  
 H-0 to J-1



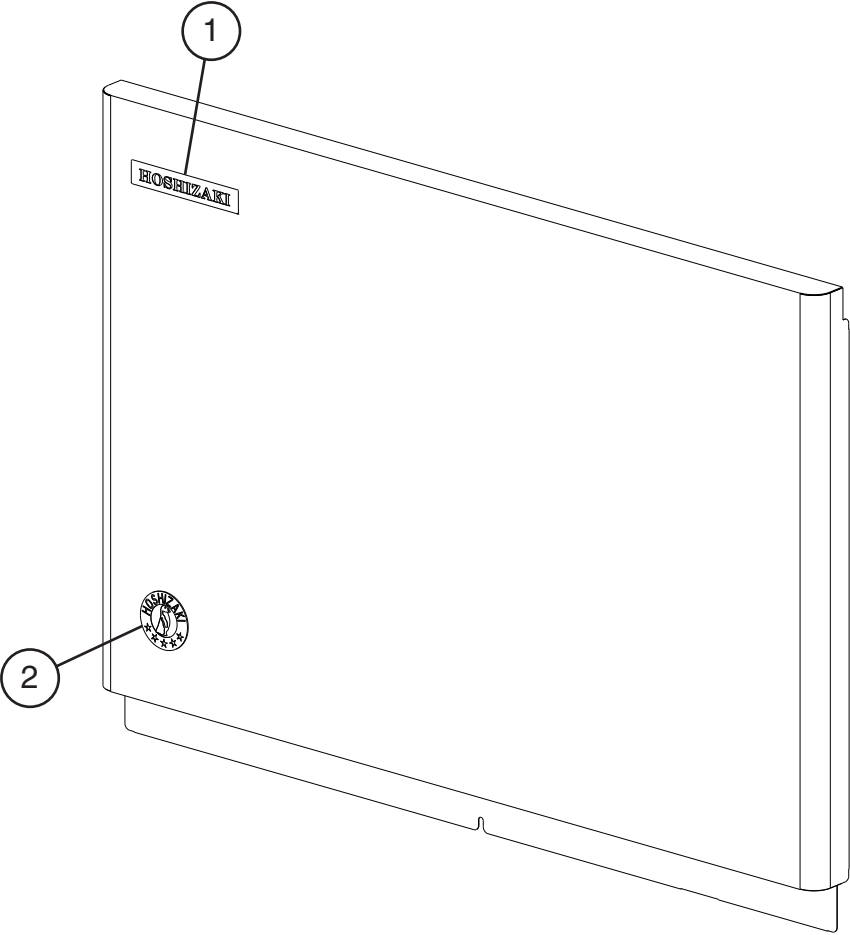
Title: B. Water Circuit Model: KMD-460M_J, KMD-530M_J												
Index No.	Description	Material or Model Number	Part Number	Required Number								
				H-0	J-0	J-1						
1	Pump Motor		4A4259-01	1	1							
1a	Thumbscrew		415949G12	1	1							
2	Pump Motor Bracket		1A1341G01	1	1							
2a	Thumbscrew		415949G12	2	2							
3	Pump Hose		4A5685-01	1	1							
4	Water Supply Pipe		4A5089L01	1	1							
5	Rubber Gasket		413854-03	1	1							
6	Inlet Water Valve		3U0111-03	1	1							
7	Spray Guide		2A4282-04	3	3							
8	Water Supply Tube		2A4132-01	1	1							
9	Spray Tube		2A4133-01	1	1							
10	Plug		4A0176-01	3	3							
11	Water Valve Hose (tee)		3A4366-01	1	1							
12	Water Valve (Cleaning)	KMD-460M_J	4A5745-01	1	1							
		KMD-530M_J	4A5530-01		1							
13	Bypass Hose (tee)		4A5687-01	1	1							
14	Evaporator Pipe		4A3765-02	1	1							
15	Float Switch		4A3624-01	1	1							
15a	T2 Screw		7P32-0412	2	2							
16	Float Switch Bracket	KMD-460M_J	327757-01	1	-							
			327757-02		1							
		KMD-530M_J	327757-01		1							
16a	T2 Screw	4x12	7P32-0412	1	1							
17	Float Switch Stop	KMD-460M_J	4A6399-01		1							
18	Vinyl Hose	40 mm	7716-1216	1	1							
19	Water Valve (Drain)	KMD-460M_J	4A5745-03	1	1							
		KMD-530M_J	4A5530-03		1							
20	Drain Hose		4A5688-01	1	1							
21	Drain Plug		309246-01	1	1							
22	O-Ring		7611-P015	1	1							
23	Drain Nut		415619-01	1	1							
24	Tank		3A8316G01	1	1							
25	Tank Separator		4A4239-01	1	1							
26	Tank Drain Hose		4A5684-01	1	1							
27	Drain Fitting		4A5528-01	1	1							
27a	T2 Screw	4x8	7P32-0408	2	2							
28	Vinyl Hose	25 mm	4A0658L01	1	1							
29	Vinyl Hose		7716-1519	1	1							
30	Cube Guide		1A1336-01	1	1							
31	Splash Curtain		2A7452G01	2	2							
<b>Hose Clamps</b>												
	Hose Clamp	25 mm	427443-03	4	4							
	Hose Clamp	18 mm	427443-05	2	2							
	Hose Clamp	20 mm	427443-06	6	6							

**C. Control Box Assembly**  
**KMD-460M\_J, KMD-530M\_J**  
H-0 to J-1



Title: C. Control Box Assembly Model: KMD-460M J, KMD-530M J												
Index No.	Description	Material or Model Number	Part Number	H-0 to J-1	Required Number							
1	Start Capacitor	243-292MFD, 165VAC	3A0076-20	1								
2	Run Capacitor	30MFD, 370VAC	3A2005-12	1								
3	Start Relay		4A1107-11	1								
4	Compressor Relay		4A3140-01	1								
5	Pump Motor Capacitor	2.5MFD, 250VAC	4A2128-05	1								
6	Control Transformer		3A0172-01	1								
7	Control Board		2A7664-04	1								
7a	Control Board Support		4A0336-03	4								
8	Toggle Switch (Control)		443119-01	1								
9	Toggle Switch (Service)		4A0985-01	1								
10	Fuse Holder		4A5443-01	1								
11	Fuse	AGC-10A, 250VAC	4A0893-07	1								
12	Relay (X10 - Pump Motor Relay X11 - Inlet Water Valve Relay X12 - Anti-Slush Relay X13 - Service Relay)	All Models	406132-07	4								
	Relay (X14 - Crankcase Heater Relay)	<b>KMD-530MRJ</b>		1								

**D. Accessories & Labels**  
**KMD-460M\_J, KMD-530M\_J**  
 H-0 to J-1



Title: D. Accessories & Labels    Model: KMD-460M_J, KMD-530M_J											
Index No.	Description	Material or Model Number	Part Number	H-0 to J-1	Required Number						
1	Emblem		4A0560-01	1							
2	Penguin Label		475552L02	1							
3	Universal Brace		4A0363-01	2							
3a	Hex Bolt	5x12, SS	7B02-0512	2							