



F-2001M_J(3)(-C)

Modular Ice Machine



F-2001M_J(3)(-C)
06/01/18
Item # 13255

W x D x H
30" x 27^{1/2}" x 34^{7/16}"

F-2001MWJ
Water-Cooled Flaker


F-2001MRJ
Remote Air-Cooled Flaker 1-Phase
Shown on optional bin B-700


F-2001MRJ3
Remote Air-Cooled Flaker 3-Phase

F-2001MRJ-C
Remote Air-Cooled Cubelet



Features

- ▶ Durable stainless steel exterior
- ▶ Advanced CleanCycle24™ design 
- ▶ Stainless steel auger with greaseless bearing

- Flaker - Up to 2098 lbs. of ice production per 24 hours
- Cubelet - Up to 1832 lbs. of ice production per 24 hours
- Mount two units, side-by-side, in only 60" of floor space for double the amount of ice production
- 2-second flush cycle every hour
- Flush cycle removes sediment for cleaner ice
- Protected by H-GUARD Plus Antimicrobial Agent 
- R-404A Refrigerant

Available on Bins:

B-250PF B-700PF/SF B-900PF/SF B-1300SS B-1650SS*
B-500PF/SF B-800PF/SF B-1150SS B-1500SS*

*Top kit may be required. See Bin Spec Sheets. *Two unit application only.*

Warranty:

3 Year Parts & Labor on entire machine. 5 Year Parts on Compressor; air-cooled condenser coil. Valid in United States, Canada, Puerto Rico and U.S. Territories. Contact factory for warranty in other countries.



	Condenser	Model	ICE PRODUCTION		WATER USAGE			ELECTRICAL						
			Air / Water Lbs. per 24 hours 70°/ 50°F	90°/ 70°F	Potable Gal. per 100 lbs. 90°/ 70°F	Condenser Gal. per 100 lbs. 90°/ 70°F	kWh Used per 100 lbs. 90°/ 70°F	Max. Fuse Size or HACR Circuit Breaker	Amperage	Voltage	Circuit Wires (including ground)	Heat Rejection BTU/hr.	Refrigerant Charge Amount	Net / Ship Weight (lbs.)
1 Phase	Water Flaker	F-2001MWJ	2043	1840	12.0	109	3.19	30A	16.4A	208-230V/60/1	4	19,500	2 lbs. 0.1 oz.	310 / 342
	Remote Flaker	F-2001MRJ	2073	1660	12.0	N/A	3.81	30A	19.9A	208-230V/60/1	4	16,500	8 lbs. 2.5 oz. (15 lbs. 14 oz.) [†]	326 / 360
	Remote Cubelet	F-2001MRJ-C	1832	1500	12.0	N/A	4.35	30A	19.9A	208-230V/60/1	4	20,300	8 lbs. 2.5 oz. (15 lbs. 14 oz.) [†]	326 / 360
3 Phase	Remote Flaker	F-2001MRJ3	2098	1675	12.0	N/A	3.90	20A	18.1A	208-230V/60/3	4	19,500	8 lbs. 2.5 oz. (15 lbs. 14 oz.) [†]	326 / 360

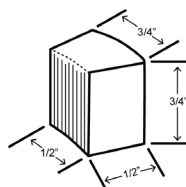
[†] (with condenser)

Power cord not included. Must be hard-wired at site.

Cube Dimensions* Flaked F-2001M_J



Cubelet F-2001MRJ-C



* approximate size in inches, image not to scale

Operating Limits

- Ambient Temp Range 45 - 100°F
- Water Temp Range 45 - 90°F
- Water Pressure 10 - 113 PSIG
- Voltage Range 187-253V

Service

- Panels easily removed and all components accessible for service.
- Allow 6" (15 cm) clearance at rear and sides for proper air circulation and ease of maintenance/service. Allow 24" (61 cm) clearance at top for removal of auger.

Plumbing

- Icemaker Water Supply Line: Minimum 1/4" Nominal ID Copper Water Tubing or Equivalent
- Icemaker Drain Line: Minimum 3/4" Nominal ID Hard Pipe or Equivalent
- Water-Cooled Model (Lines Must Be Independent of Icemaker)
- Condenser Water Supply Line: Minimum 1/4" Nominal ID Copper Water Tubing or Equivalent
- Condenser Drain/Return Line: Minimum 1/4" Nominal ID Hard Pipe (open drain system) or Copper Water Tubing (closed loop system) or Equivalent



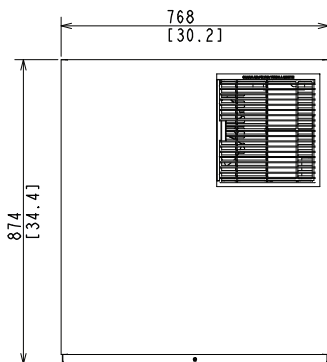
F-2001M_J(3)(-C)

Modular Ice Machine

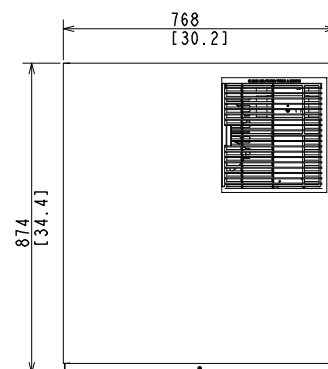


F-2001M_J(3)(-C)
06/01/18
Item # 13255

FRONT VIEW



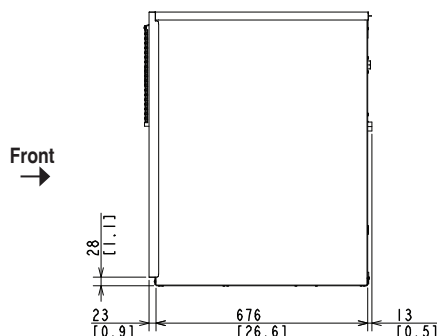
WATER-COOLED



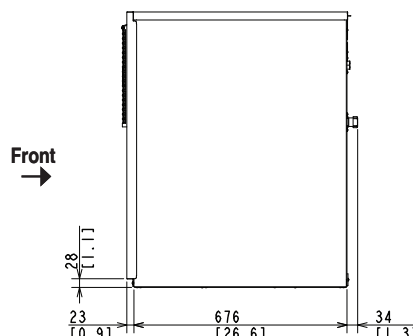
REMOTE AIR-COOLED

mm
[inch]

SIDE VIEW

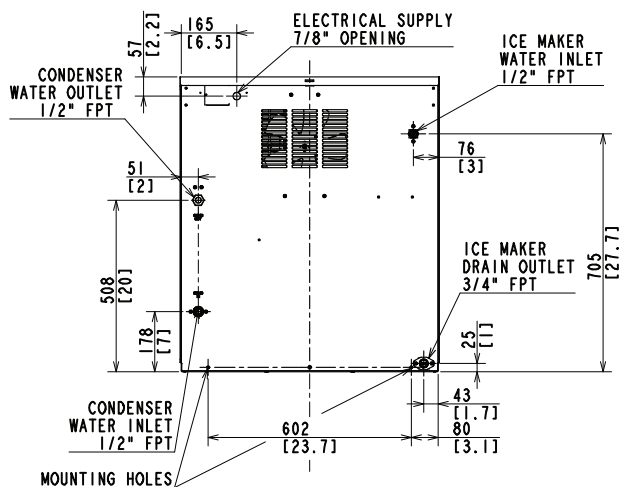


WATER-COOLED

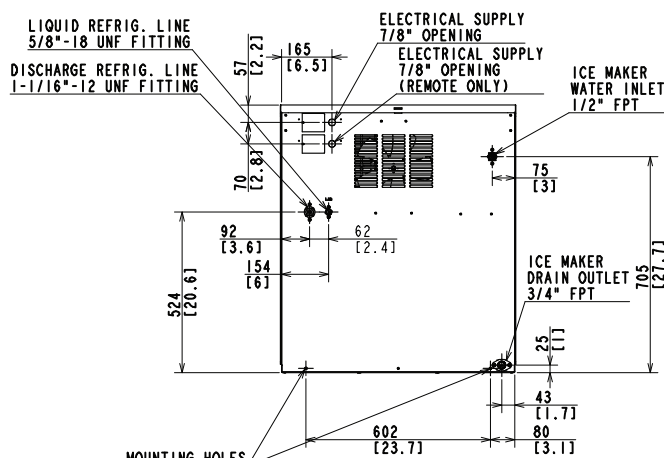


REMOTE AIR-COOLED

REAR VIEW



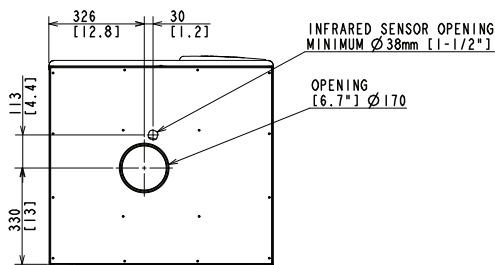
WATER-COOLED



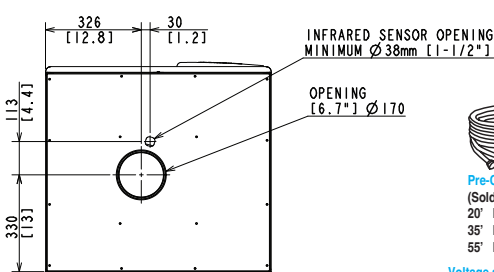
REMOTE AIR-COOLED

URC-22F Remote Condenser (Sold Separately)
(W x D x H) 46^{3/8} x 14^{1/16} x 40^{1/2}
For Use with F-2001MRJ(3)(-C)

BOTTOM VIEW



WATER-COOLED



REMOTE AIR-COOLED



Pre-Charged Tubing Kits
(Sold Separately)
20' R404-20610
35' R404-35610
55' R404-55610

Voltage supply for the URC
Remote Condenser is supplied
from the Ice Maker.
No additional circuit is required.

