



AM-50BAJ-(AD)DS

SELF-CONTAINED CUBER WITH BUILT-IN STORAGE BIN




AM-50BAJ-(AD)DS
01/12/18
Item # 13204

Item #: _____
 Project: _____
 Qty: _____
 AIA#: _____

W x D x H
AM-50BAJ / AM-50BAJ-DS
14⁷/₈" x 22⁵/₈"* x 33¹/₂"
 Shipping Dimensions 20³/₄" x 30¹/₂" x 40"

AM-50BAJ-AD / AM-50BAJ-ADDS
14⁷/₈" x 22⁵/₈"* x 31¹/₂"
 Shipping Dimensions 20³/₄" x 30¹/₂" x 38"

(-AD) - ADA Compliant 
 (-DS) - Customized Cabinet Door System

* not including handle



AM-50BAJ
Air-Cooled
(Shown)
AM-50BAJ-AD
Air-Cooled
ADA Compliant Unit



AM-50BAJ-DS*
(Shown)
with Custom Cabinetry
AM-50BAJ-ADDS*
Air-Cooled
ADA Compliant Unit

*Customer responsible for providing cabinetry



Features

- ▶ **UL approved for outdoor use**
- ▶ **Undercounter design**
- ▶ **Drain pump option available**

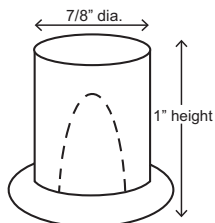
- Up to 55 lbs. of ice production per 24 hours
- Fewer moving parts for longer life
- Power switch accessible without panel removal
- Less than 34 inches tall (AM-50BAJ, AM-50BAJ-DS)
- Less than 32 inches tall; ADA Compliant (AM-50BAJ-AD, AM-50BAJ-ADDS)
- Up to 22 lbs. of built-in storage capacity
- Easily disassembled water circuit for easy cleaning
- Front in and out airflow
- Equipped with 6 ft. Cord with NEMA 5-15 Plug
- R-134a Refrigerant

Warranty:

2 Year Parts & Labor on entire machine.
 1 Year Parts & Labor on HS-5061 Drain Pump Assembly.
 Valid in United States, Canada, Puerto Rico and U.S. Territories. Contact factory for warranty in other countries.

Condenser	Model	ICE PRODUCTION		WATER USAGE		ELECTRICAL						
		Air / Water Temp Lbs. per 24 hours 70°/50°F 90°/70°F		Potable Gal. per 100 lbs. 90°/70°F	Condenser Gal. per 100 lbs. 90°/70°F	kWh Used per 100 lbs. 90°/70°F	Max. Fuse Sz or HACR Circuit Bkr	Amperage	Voltage	Heat Rejection BTU/hr.	Refrigerant Charge Amount	Net / Ship Weight (lbs.)
Air	AM-50BAJ(-DS)	51	35	71.0	N/A	17.0	15A	3.8A	115V/60/1	1,900	4.2oz	88 / 97
Air	AM-50BAJ-AD(-DS)	55	34	63.9	N/A	16.8	15A	3.8A	115V/60/1	1,900	4.2oz	88 / 99

AM Cube Dimensions*



* approximate size in inches, image not to scale

Operating Limits

- Ambient Temp Range 45 - 100°F
- Water Temp Range 45 - 95°F
- Water Pressure 7 - 113 PSIG
- Voltage Range 104-127V

Location

- Allow 15" (38 cm) at front and enough space at rear for water supply and drain connections.
- Location must provide a firm and level foundation.
- Do not place near ovens, grills or other high heat producing equipment.

Parts

- -DS Door Reversal Part - HS-0229
Optional Kit required for (-DS) models
- Side trim kit available
- Accessory - HS-5061 Drain Pump Assembly
- Water filter - H9320-51

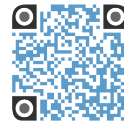
Plumbing

- Icemaker Water Supply Line: Minimum 1/4" Nominal ID Copper Water Tubing or Equivalent
- Icemaker Drain Line: Minimum 1/2" Nominal ID Hard Pipe or Equivalent



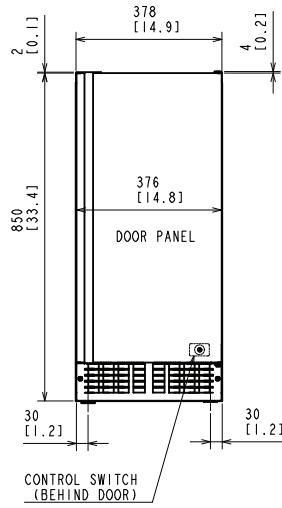
AM-50BAJ-(AD)DS

SELF-CONTAINED CUBER WITH BUILT-IN STORAGE BIN

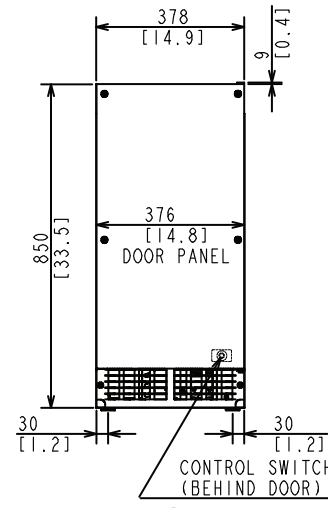


AM-50BAJ-(AD)DS
01/12/18
Item # 13204

FRONT VIEW



AM-50BAJ*

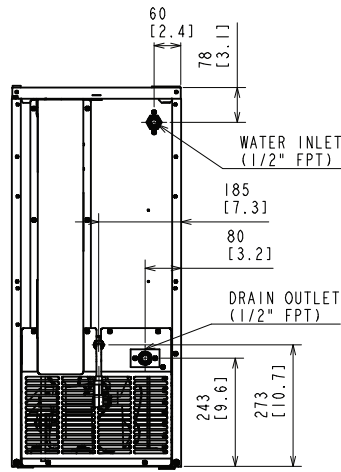


AM-50BAJ-DS*

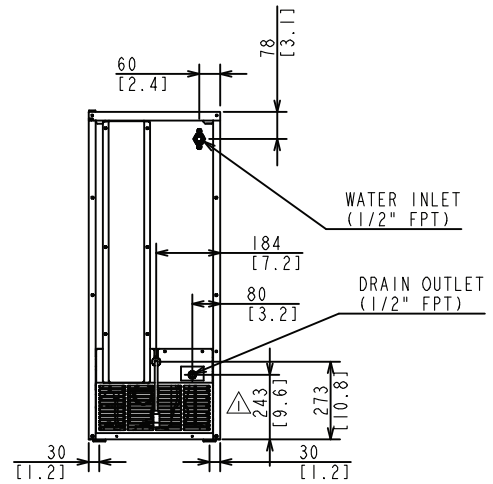
mm
[inch]

* -AD models have height of 31.5"

REAR VIEW



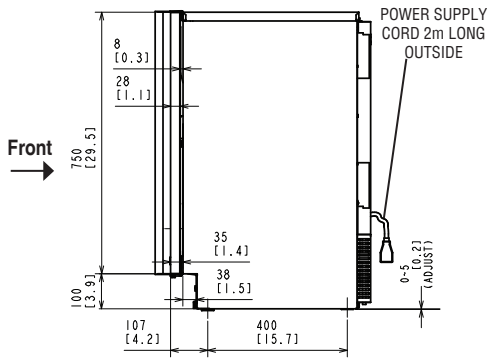
AM-50BAJ*



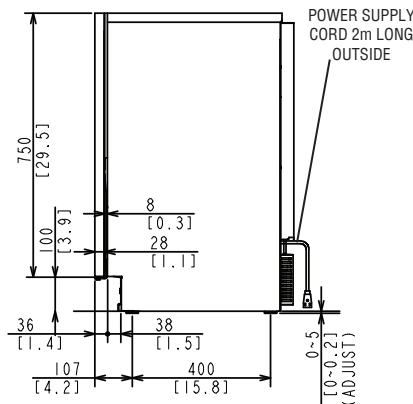
AM-50BAJ-DS*

* -AD models have height of 31.5"

SIDE VIEW



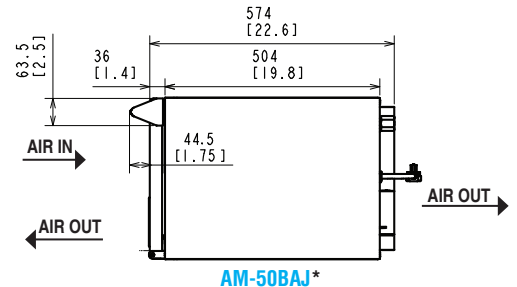
AM-50BAJ*



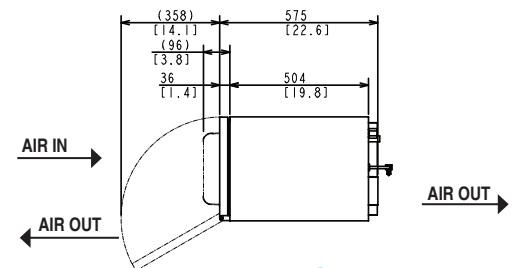
AM-50BAJ-DS*

* -AD models have height of 31.5"

TOP VIEW



AM-50BAJ*



AM-50BAJ-DS*