



# HOSHIZAKI

## Parts List

Condensing Unit

Models  
SRC-14J



## CONTENTS

Auxiliary Codes.....	3
Note About Ordering Parts .....	3
A. Main Assembly & Refrigeration Circuit .....	4
B. Control Box Assembly.....	6
C. Accessories & Labels .....	7

## **Auxiliary Codes**

### **SRC-14J**

H-0 July 2018

J-0 January 2019

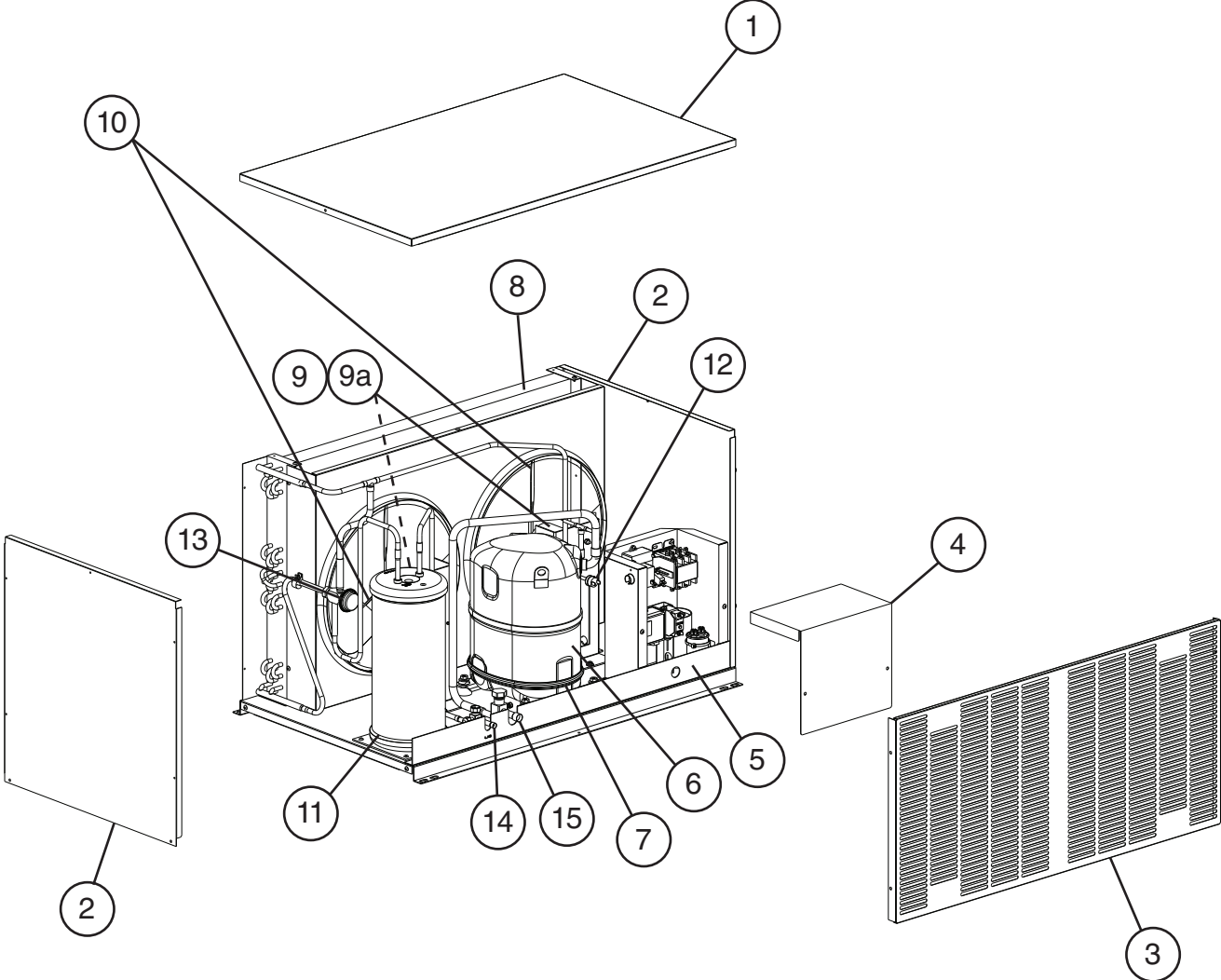
### **Auxiliary Code Breakdown**

The auxiliary code is the first two characters in the serial number. The first character indicates the year. Years progress or regress in alphabetical order. The series runs from "A" through "V" and the letters "I" and "O" are skipped. The second character indicates significant part changes within a year. Base is "0" and this number advances for each change. In cases where there is a letter in parentheses, this designates the month. This is the last character in the serial number. The series runs from "(A)" through "(M)" and the letter "(I)" is skipped. This designation is only included when identifying a parts change within an auxiliary code.

### **Note About Ordering Parts**

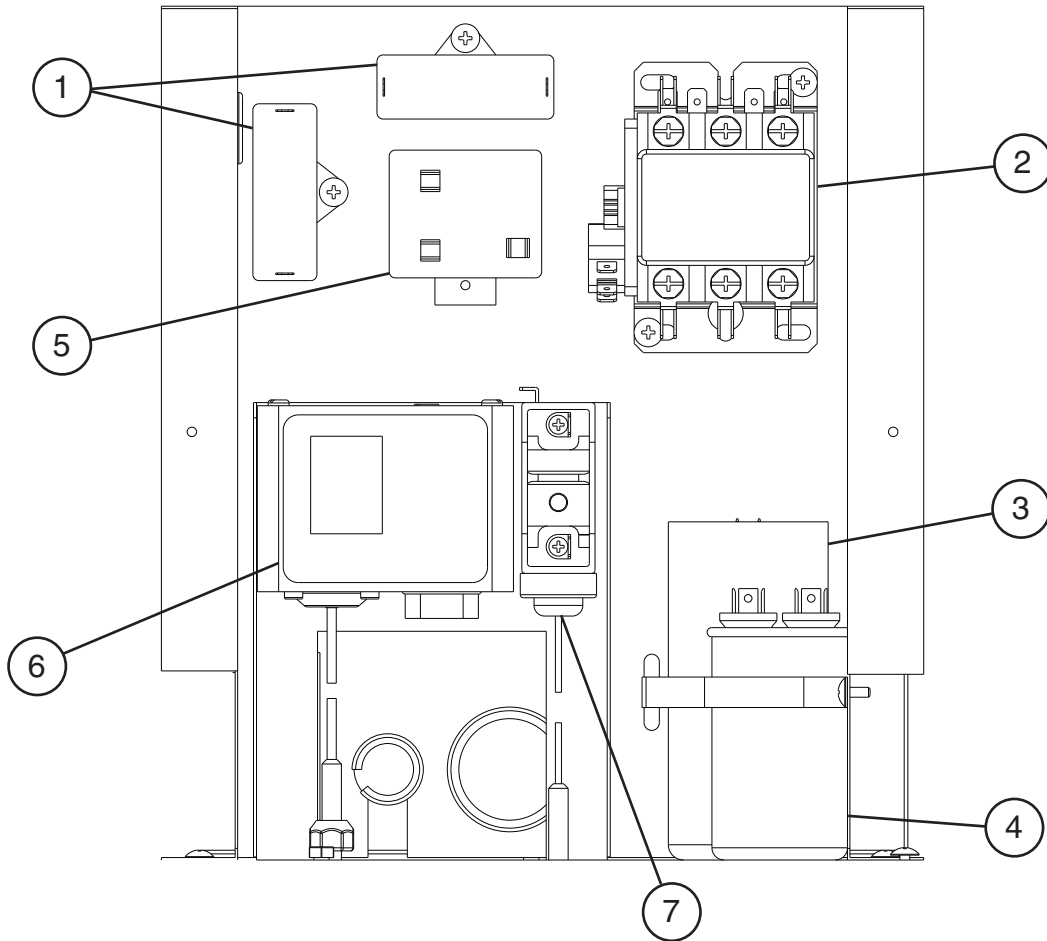
Most assemblies cannot be ordered as complete units; parts in the assemblies generally must be ordered separately.

**A. Main Assembly & Refrigeration Circuit**  
**SRC-14J**  
H-0, J-0



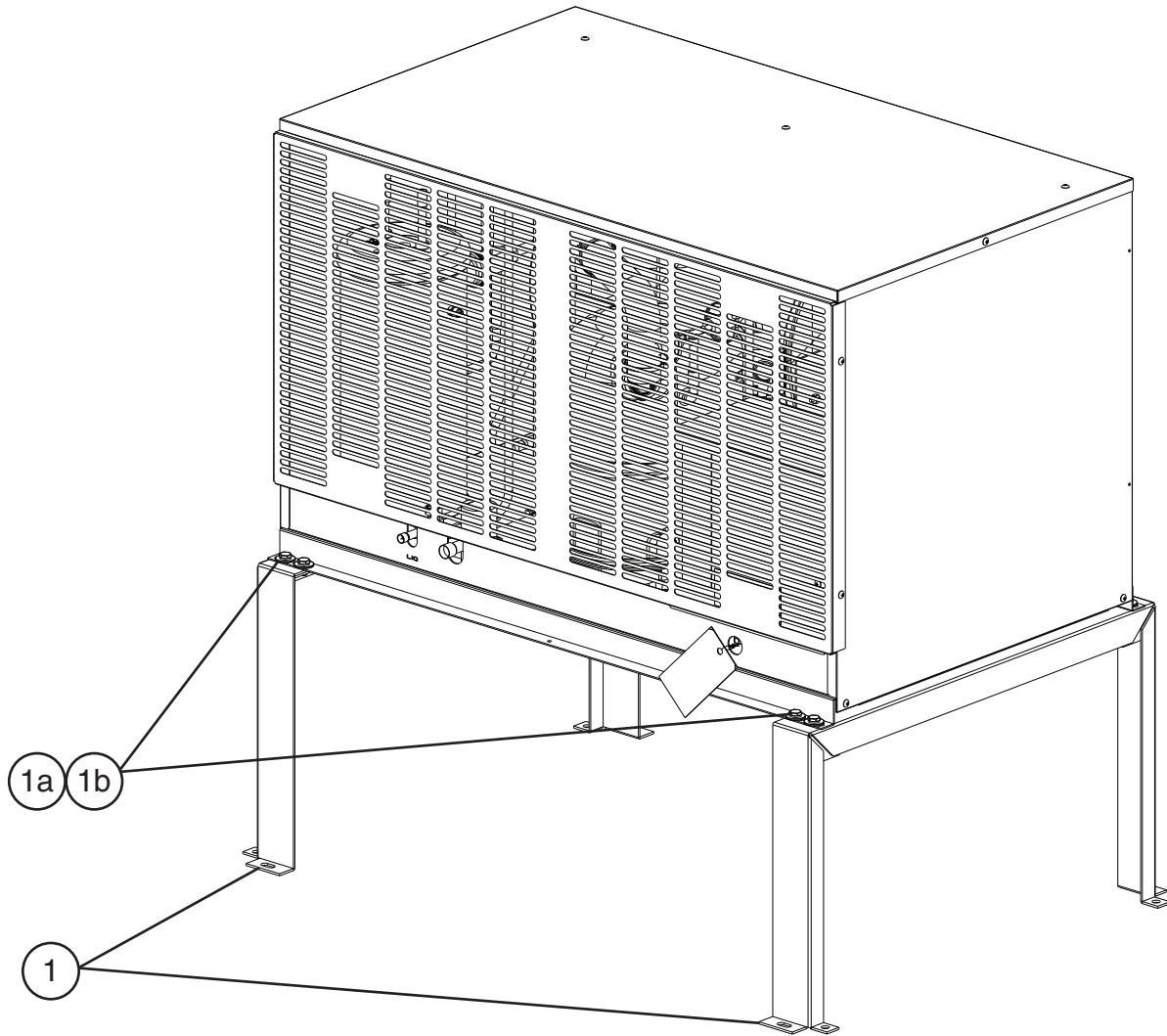
<b>Title: A. Main Assembly &amp; Refrigeration Circuit    Model: SRC-14J</b>													
Index No.	Description	Material or Model Number	Part Number	Required Number									
				H-0									
<b>Condensing Unit</b>													
1	Top Panel		3A5858-01	1									
2	Side Panel		3A5855-01	2									
3	Louver Panel		213968-01	1									
4	Control Box Cover		3A3182-01	1									
5	Front Frame		4A6295-01	1									
<b>Refrigeration Circuit</b>													
6	Compressor (Utilize external crankcase heater-item 7)		4A4134-03	1									
7	Crankcase Heater		4A5397-02	1									
8	Condenser		104777-02	1									
9	Fan Motor		4A3201-01	2									
9a	Self Locking Nut		7N2110832	8									
10	Fan Blade		4A1493-01	2									
11	Receiver		4A6214-01	1									
12	High-Pressure Switch		463180-04	1									
13	Headmaster (C.P.R)		4A0229-01	1									
14	Liquid Line Shut Off Valve		4A3491-01	1									
15	Suction Line Shut Off Valve		4A3490-01	1									

**B. Control Box Assembly**  
**SRC-14J**  
H-0, J-0



Title: B. Control Box Assembly		Model: SRC-14J		Required Number							
Index No.	Description	Material or Model Number	Part Number	H-0							
				J-0							
1	Fan Motor Capacitor	10MFD, 250VAC	4A6435-01	2							
2	Magnetic Contactor		4A0794-01	1							
3	Start Capacitor	145-174MFD, 220VAC	3A0076-11	1							
4	Run Capacitor	30MFD, 370VAC	3A2005-03	1							
5	Start Relay		4A1107-13	1							
6	Control Low-Pressure Switch		4A5353G01	1							
7	Safety Low-Pressure Switch		4A3497-01	1							

**C. Accessories & Labels**  
**SRC-14J**  
 H-0, J-0



Title: C. Accessories & Labels		Model: SRC-14H		Required Number						
Index No.	Description	Material or Model Number	Part Number	H-0	J-0					
				1	Leg		2A8297G01	2		
1a	Hex Head Bolt w/ Washer	8x16, SS	7B0230816	8						
1b	Hex Nut	M8, SS	7N12-0800	8						