



SD SERIES

MACHINE STANDS



SD Series
08/21/19
Item # 13025

Item #: _____
 Project: _____
 Qty: _____
 AIA#: _____



SD-200 Stand
Shown with a
DM-200B



SD-270 Stand
Shown with a
DCM-270BAH-OS



SD-500 Stand
Shown with a
DCM-500BAH-OS



SD-750 Stand
Shown with a
DCM-751BAH-OS

Features

- ▶ Heavy duty stands for floor model icemakers/dispensers
- ▶ Corrosion resistant stainless steel exterior
- ▶ Easy cleaning with attractive appearance

- Locking doors standard

Warranty:

5 Year Parts & Labor.
Valid in United States, Canada, Puerto Rico and U.S. Territories. Contact factory for warranty in other countries.

SD-200 Shipping: (LxWxH)	32.25" x 30.25" X 32.5"	Volume: 18.35ft ³
SD-270 Shipping: (LxWxH)	26" x 18.75" X 35"	Volume: 9.87ft ³
SD-500 Shipping: (LxWxH)	27.75" x 24" X 32.50"	Volume: 12.53ft ³
SD-750 Shipping: (LxWxH)	36" x 30" X 32.5"	Volume: 20.31ft ³



Intertek

Model Number	Use with Cubelet IceMaker/Dispenser	Exterior Dimensions W* x D* x H (height including legs)	Shipping Weight
SD-200	DM-200B	30 x 32 x 32 ^{13/16}	105 lbs.
SD-270	DCM-270BAH, DCM270BAH-OS	16 ^{1/2} x 24 x 35 ^{3/16}	84 lbs.
SD-500	DCM-300BAH, DCM-300BAH-OS, DCM-500B_H, DCM-500B_H-OS	25 ^{7/8} x 22 x 32 ^{3/4}	87 lbs.
SD-750	DCM-751B_H, DCM-751B_H-OS	34 x 28 x 32 ^{3/4}	109 lbs.

*Width and depth measurements are for stands and do not include the flanged legs. Add approximately 1".

Hoshizaki reserves the right to change specifications without notice.



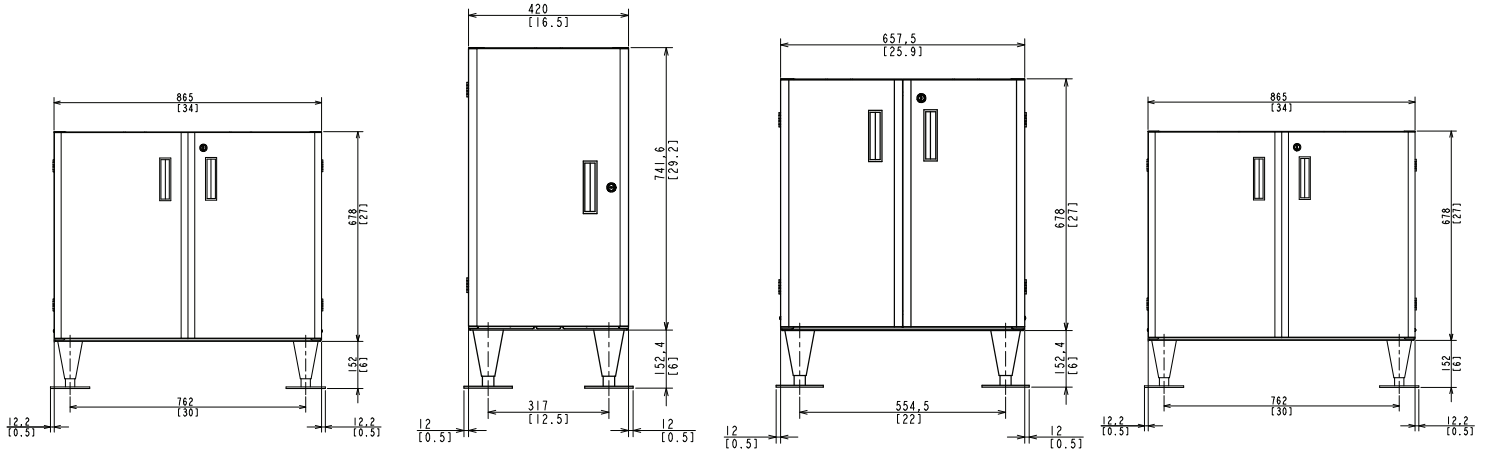
SD SERIES

MACHINE STANDS



SD Series
08/21/19
Item # 13025

FRONT VIEW



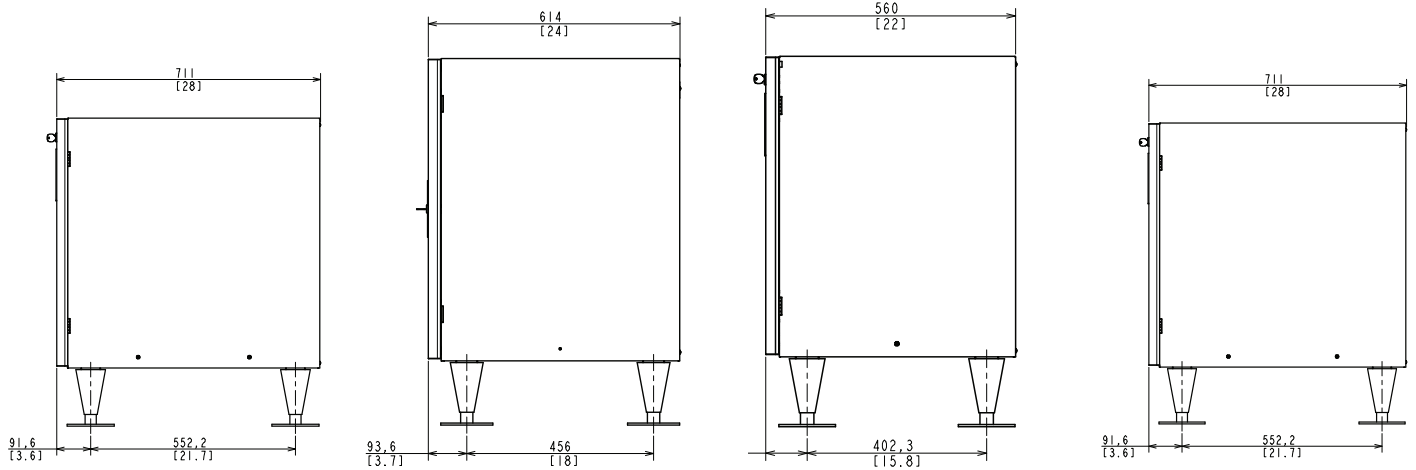
SD-200

SD-270

SD-500

SD-750

SIDE VIEW



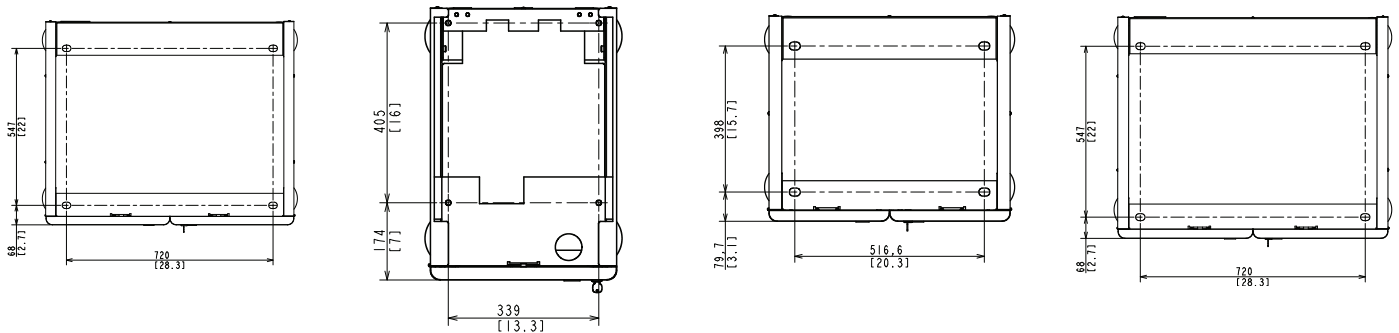
SD-200

SD-270

SD-500

SD-750

TOP VIEW



SD-200

SD-270

SD-500

SD-750

*Width and depth measurements are for stands and do not include the flanged legs. Add approximately 1".