



B-1150SS (1300/1500/1650)

ICE STORAGE BINS



B-1150SS
(1300/1500/1650)
09/27/18
Item # 13178

Item #: _____
 Project: _____
 Qty: _____
 AIA#: _____

SS - Stainless steel front, sides, back and bottom



B-1150SS



B-1300SS



B-1500SS



B-1650SS



CANADIAN ENERGY
PERFORMANCE VERIFIED
RENDIMENT ENERGETIQUE VERIFIE



Features

- ▶ 82 oz. scoop protected by H-GUARD Plus Antimicrobial Agent
- ▶ Seamless polyethylene bin liner for sanitary storage
- ▶ Sealed door gasket reduces risk of airborne bacteria

- Ice storage capacity from 1148 lbs. to 1605 lbs.
- Easy cleaning and long lasting attractive appearance
- Foamed-in-place polyurethane insulation, in all bin walls and bottom, which provides maximum ice preservation
- New baffle design increases ice accessibility by 30%
- View windows provide instant inspection and thermal break
- Pouch style insulated door prevents condensation while providing maximum access and minimal spillage
- All bins include Universal Top Kit - note application guide to verify fit
- 6" adjustable stainless steel legs

Warranty:

5 Year Parts & Labor.
Valid in United States, Canada, Puerto Rico and U.S. Territories. Contact factory for warranty in other countries.

Model Number	Exterior Dimensions W x D x H*	Application Storage Capacity †	Cubic Volume	Shipping Weight
B-1150SS	48" x 41" x 60 ^{3/16} "	1148 lbs.	36.9 ft ³	345 lbs.
B-1300SS	48" x 41" x 66 ^{3/16} "	1304 lbs.	41.2 ft ³	365 lbs.
B-1500SS	60" x 41" x 62 ^{3/16} "	1500 lbs.	47.2 ft ³	395 lbs.
B-1650SS	60" x 41" x 66 ^{3/16} "	1605 lbs.	48.0 ft ³	415 lbs.

*Height includes 6" legs

† Capacity based on volume x 30 lb/ft³ average density of ice.



B-1150SS (1300/1500/1650)

ICE STORAGE BINS



B-1150SS
(1300/1500/1650)
09/27/18
Item # 13178

Ice Machine Model Application

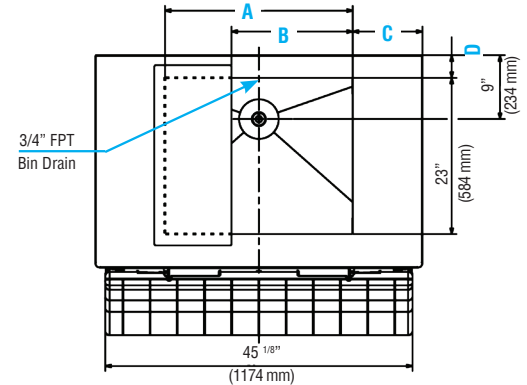
Bins	22" Width KM-350M KM-520M KM-660M F-450M F-801M F-1002M	30" Width KM-901M KM-1100M KM-1340M KM-1601M KML Series F-1501M F-2001	44" Width 2 KM-350M 2 KM-520M 2 KM-660M IM-500S* 2 F-450M 2 F-801M 2 F-1002M	48" Width KM-1301S KM-1400S KM-1601S KM-1900S KM-2200S KM-2600S	60" Width 2 KM-901M 2 KM-1100M 2 KM-1340M 2 KM-1601M 2 KML Series 2 KMD Series 2 F-1501M 2 F-2001M
48" Width Bin					
B-1150SS	✓		HS-5397 (IM-500 only)	✓	n.a.
B-1300SS		✓			
60" Width Bin					
B-1500SS	n.a.	✓	✓	✓	✓
B-1650SS		Need HS-2111	*(N/A for IM-500)		2 KM-901M, KMD, Not Available

✓ Universal top kit included | — No top kit necessary | n.a. Combination of ice maker and bin is not possible

The B-1150SS, B-1300SS, B-1500SS, B-1650SS are equipped with a universal top kit

Plumbing • 3/4" FPT Drain

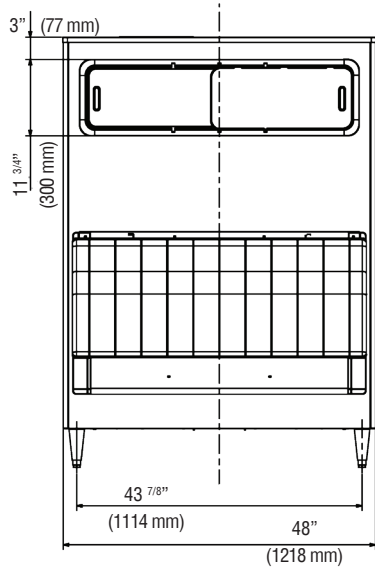
	B-1150SS	B-1300SS	B-1500SS/B-1650SS
A	27 5/8" (702 mm)	27 5/8" (702 mm)	44 3/4" (702 mm)
B	17 7/8" (454 mm)	17 7/8" (454 mm)	34 7/8" (454 mm)
C	10 3/16" (259 mm)	10 3/16" (259 mm)	9 5/8" (259 mm)
D	5" (126 mm)	3 3/8" (126 mm)	3 3/8" (126 mm)



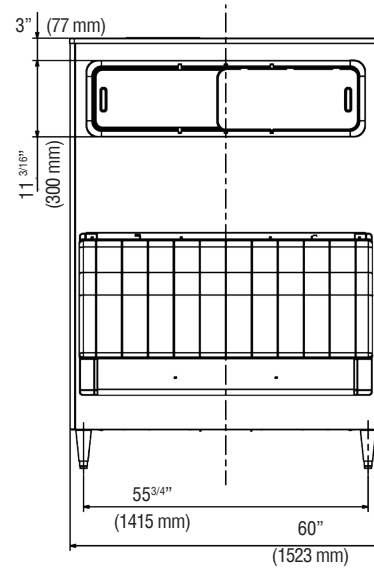
TOP VIEW

B-1150/1300/1500/1650SS

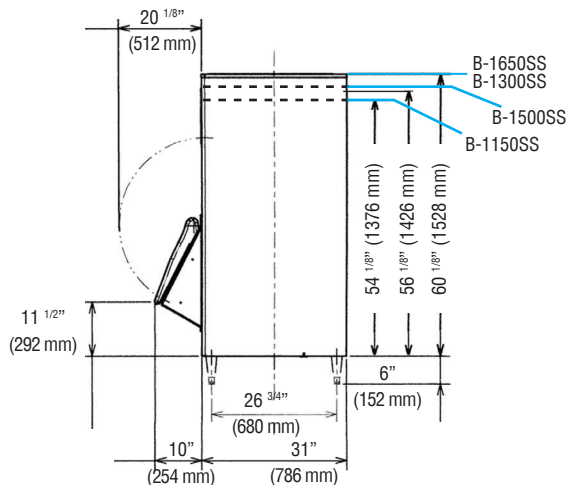
FRONT VIEW
B-1150/1300SS



FRONT VIEW
B-1500/1650SS



SIDE VIEW
B-1150/1300/1500/1650SS



REAR VIEW
B-1150/1300/1500/1650SS

