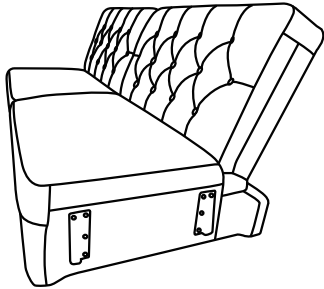
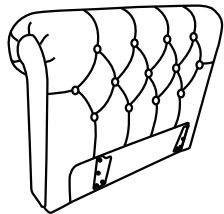


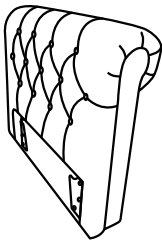
A x 1



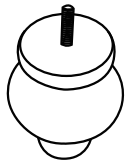
B x 1



C x 1



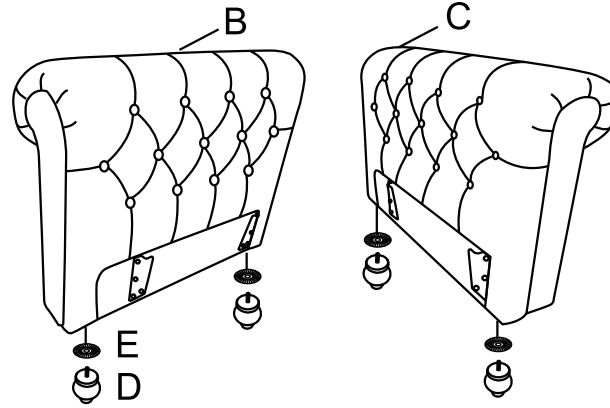
D x 4



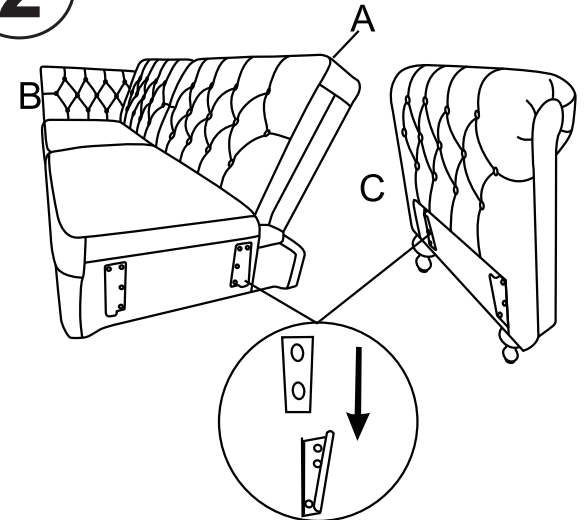
E x 4



1



2



SEAT BASE CONNECT TO ARM SIDE

3

