



HBC Series

Slide Top Bottle Coolers

HBC Series
06/28/18
Item # 13225

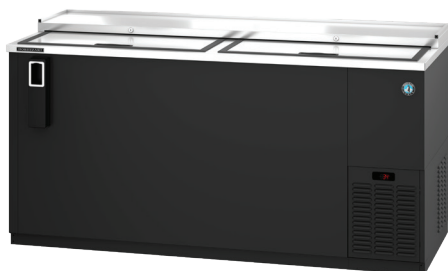
- HBC-50
- HBC-80
- HBC-50-S*
- HBC-80-S*
- HBC-65
- HBC-95
- HBC-65-S*
- HBC-95-S*



HBC-50



HBC-50-S*



HBC-65(-S*)



HBC-80(-S*)



HBC-95(-S*)

Item #: _____
Project: _____
Qty: _____
AIA#: _____

Features

- ▶ **Stainless steel interior**
- ▶ **Heavy duty 18-gauge stainless steel top**
- ▶ **Durable stainless steel slide top lids including locks**

- Black vinyl coated exterior front, sides, and rear
- Engineered to maintain NSF-7 temperatures in 100°F ambient
- Electronic controller with digital LED display (°F or °C)
- Includes adjustable gray epoxy coated bin dividers
- Front breathing, side mount refrigeration is easily accessible by sliding out front for cleaning and service
- Cabinets are designed to maintain interior temperatures between 33°F to 38°F
- Includes bottle opener and cap catcher
- Interior floor drain
- Cabinet foamed with 1 1/2" CFC free polyurethane insulation

| Model | Cabinet Dimensions W x D† x H | Capacity (AHAM) cu ft | Capacity 12oz. / 20oz. | Lids | Bin Dividers | HP | Amps | Voltage | NEMA Plug | Shipping Dimensions W x D x H | Shipping Weight |
|-------------|----------------------------------|--------------------------|---------------------------|------|-----------------|-----|------|---------|-------------|----------------------------------|--------------------|
| HBC-50(-S*) | 50.5" x 26.5"† x 33.38" | 14.4 ft ³ | 704 / 286 | 2 | 3 | 1/4 | 5.9 | 115 | 8 ft. 5-15P | 54.5" x 33" x 42" | 236 lbs. |
| HBC-65(-S*) | 65.5" x 26.5"† x 33.38" | 19.6 ft ³ | 890 / 360 | 2 | 4 | 1/3 | 6.2 | 115 | 8 ft. 5-15P | 69.5" x 33" x 42" | 275 lbs. |
| HBC-80(-S*) | 80" x 26.5"† x 33.38" | 24.67 ft ³ | 1150 / 547 | 3 | 6 | 1/3 | 6.2 | 115 | 8 ft. 5-15P | 84" x 33" x 42" | 315 lbs. |
| HBC-95(-S*) | 95" x 26.5"† x 33.38" | 27.98 ft ³ | 1408 / 672 | 3 | 7 | 1/2 | 6.5 | 115 | 8 ft. 5-15P | 101" x 33" x 42" | 379 lbs. |

† Does not include 1" rear cabinet bumper or bottle cap catcher depth

Options & Accessories

* (-S) Stainless Steel Exterior option available - Made to order.

Warranty

3 Year parts and labor / 5 year compressor

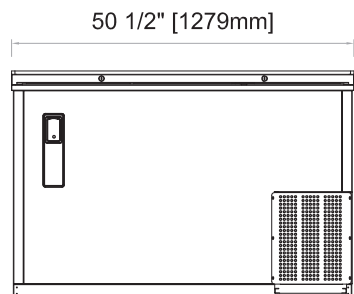




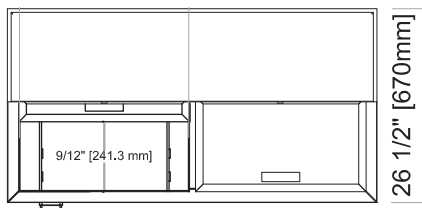
HBC Series

Slide Top Bottle Coolers

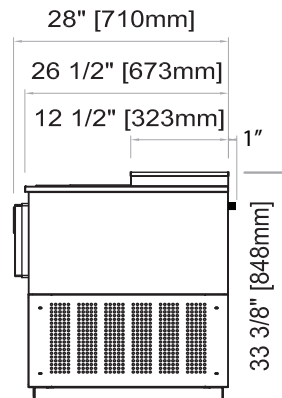
HBC Series
06/28/18
Item # 13225



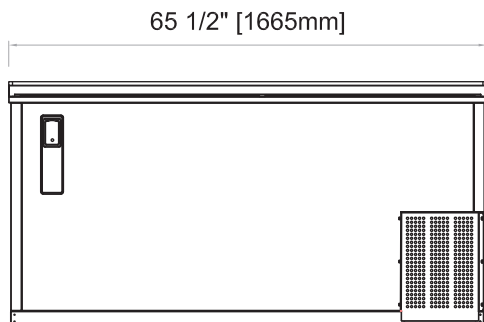
HBC-50(-S) Front View



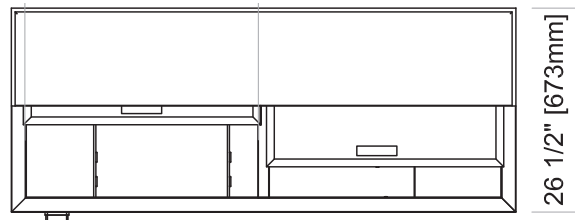
HBC-50(-S) Plan View



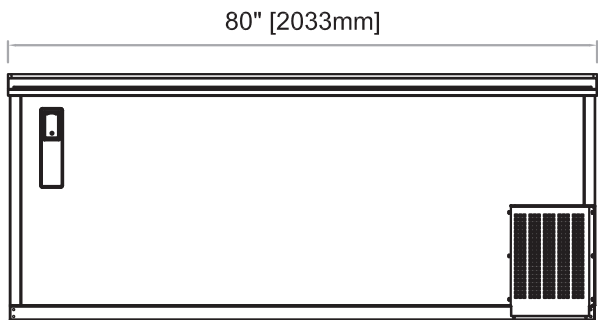
All Models Side View



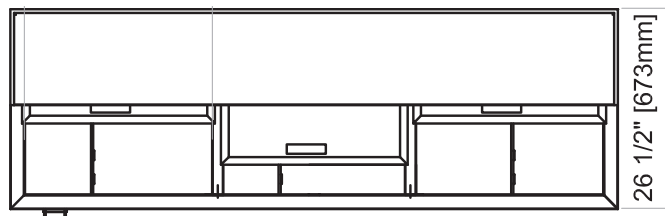
HBC-65(-S) Front View



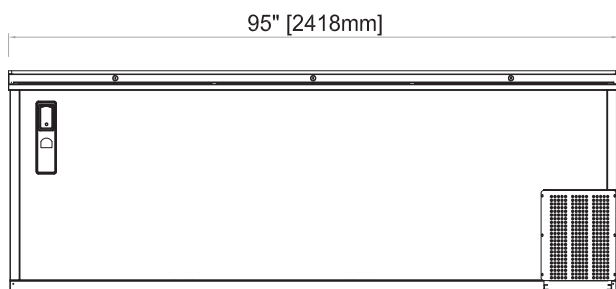
HBC-65(-S) Plan View



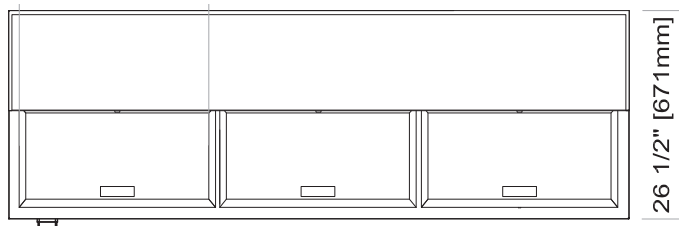
HBC-80(-S) Front View



HBC-80(-S) Plan View



HBC-95(-S) Front View



HBC-95(-S) Plan View