



# HOSHIZAKI

## Parts List

### Steelheart Series Refrigerated Kitchen Equipment

#### Models

Undercounter, Worktop, Prep Table

UR27A, WR27A, SR27A, UF27A, WF27A, UR36A,  
WR36A, SR36A, UR48A, WR48A, SR48A, UF48A,  
WF48A, UR60A, WR60A, SR60A, UF60A, WF60A,  
UR72A, WR72A, SR72A



[hoshizakiamerica.com](http://hoshizakiamerica.com)

Number: 71387  
Issued: 10-25-2018  
Revised: 2-18-2020

## CONTENTS

Auxiliary Codes.....	3
Model Codes .....	11
A. Main Assembly .....	12
UR27, WR27, SR27, UF27, and WF27 Undercounter, Worktop, and Prep Table.....	12
UR36, WR36, and SR36 Undercounter, Worktop, and Prep Table .....	15
UR48, WR48, SR48, UF48, and WF48 Undercounter, Worktop, and Prep Table .....	17
UR60, WR60, SR60, UF60, and WF60 Undercounter, Worktop, and Prep Table .....	20
UR72, WR72, and SR72 Undercounter, Worktop, and Prep Table .....	24
B. Refrigeration Circuit.....	28
UR27, WR27, and SR27 Undercounter, Worktop, and Prep Table .....	28
UF27 and WF27 Undercounter and Worktop .....	30
UR36, WR36, and SR36 Undercounter, Worktop, and Prep Table .....	32
UR48, WR48, and SR48 Undercounter, Worktop, and Prep Table .....	34
UF48 and WF48 Undercounter and Worktop .....	36
UR60, WR60, and SR60 Undercounter, Worktop, and Prep Table .....	38
UF60 and WF60 Undercounter and Worktop .....	40
UR72, WR72, and SR72 Undercounter, Worktop, Prep Table .....	42
C. Door-Right Hinged.....	44
D. Door-Left Hinged .....	46
E. Door-Right Glass Door Hinged.....	48
F. Door-Left Glass Door Hinged .....	49
G. Drawer.....	50
H. Accessories & Labels .....	52

## Auxiliary Codes

### UR27A

H-5 October 2018  
J-5 January 2019  
J-6 June 2019  
J-7 July 2019  
K-5 January 2020

### UR27A-GLP01

H-5 May 2018  
J-5 April 2019  
J-6 June 2019  
J-7 July 2019  
K-5 February 2020

### UR27A-01

H-5 October 2018  
J-5 January 2019  
J-7 July 2019  
K-5 January 2020

### UR27A-LP

H-5 February 2018  
J-5 January 2019  
J-6 June 2019  
J-7 July 2019  
K-5 January 2020

### UR27A-LPC

H-5 October 2018  
J-5 January 2019  
J-6 June 2019  
J-7 July 2019  
K-5 January 2020

### UR27A-LPW

J-5 April 2019  
J-6 June 2019  
J-7 July 2019  
K-5 January 2020

### UR27A-D2

G-5 November 2017  
H-5 October 2018  
J-5 January 2019  
J-6 June 2019  
J-7 July 2019  
K-5 January 2020

### WR27A

H-5 October 2018  
J-5 January 2019  
J-6 June 2019  
J-7 July 2019

### WR27A-01

J-5 January 2019  
K-5 February 2020

### WR27A-D2

H-5 November 2018  
J-5 January 2019  
J-7 July 2019  
K-5 January 2020

### SR27A-8

H-5 October 2018  
H-6 November 2018  
J-5 January 2019  
J-6 June 2019  
J-7 July 2019  
K-5 January 2020

### SR27A-8D2

H-5 October 2018  
H-6 November 2018  
J-5 January 2019  
J-6 June 2019  
J-7 August 2019

### SR27A-12M

H-5 October 2018  
H-6 November 2018  
J-5 January 2019  
J-6 June 2019  
J-7 July 2019  
K-5 February 2020

### SR27A-12MD2

H-5 March 2018  
H-6 November 2018  
J-5 September 2019  
K-5 February 2020

### UF27A

G-5 July 2017  
H-5 October 2018  
J-5 January 2019  
J-6 June 2019  
J-7 July 2019  
K-5 January 2020

### UF27A-GLP01

H-5 May 2018  
J-5 January 2019  
J-6 June 2019  
J-7 August 2019  
K-5 January 2020

### UF27A-01

J-5 February 2019  
J-6 June 2019  
J-7 July 2019  
K-5 January 2020

### UF27A-LP

G-5 December 2017  
H-5 October 2018  
J-5 February 2019  
J-6 June 2019  
J-7 July 2019  
K-5 February 2020

### UF27A-D2

H-5 October 2018  
J-5 January 2019  
J-6 June 2019  
J-7 July 2019  
K-5 January 2020

## **Auxiliary Codes Continued**

### **WF27A**

G-5 July 2017  
H-5 October 2018  
J-5 January 2019  
J-6 June 2019  
J-7 July 2019  
K-5 January 2020

### **WF27A-01**

H-5 October 2018  
J-5 February 2019  
J-6 June 2019  
J-7 July 2019

### **WF27A-D2**

G-5 September 2017  
H-5 October 2018  
J-5 January 2019  
J-6 June 2019  
J-7 July 2019  
K-5 January 2020

## Auxiliary Codes Continued

### UR36A

G-5 September 2017  
H-5 November 2018  
J-5 January 2019  
J-6 June 2019  
J-7 July 2019  
K-5 January 2020

### UR36A-01

H-5 October 2018  
J-5 March 2019  
J-6 June 2019  
K-5 January 2020

### WR36A

H-5 October 2018  
J-5 February 2019  
J-6 September 2019

### WR36A-01

J-5 February 2019  
J-6 November 2019

### SR36A-10

H-5 October 2018  
H-6 November 2018  
J-5 January 2019  
J-7 August 2019  
K-5 February 2020

### SR36A-15M

H-5 January 2018  
H-6 October 2018  
J-5 January 2019  
J-6 June 2019  
J-7 August 2019  
J-8 September 2019  
K-5 January 2020

## Auxiliary Codes Continued

### UR48A

G-5 September 2017  
H-5 October 2018  
J-5 January 2019  
J-7 July 2019  
K-5 January 2020

### UR48A-GPL01

H-5 May 2018  
J-5 April 2019  
J-7 July 2019

### UR48A-01

H-5 October 2018  
J-5 February 2019  
J-7 July 2019  
K-5 January 2020

### UR48A-D2

H-5 November 2018  
J-5 January 2019  
J-7 July 2019

### UR48A-D4

G-5 November 2017  
H-5 October 2018  
J-5 January 2019  
K-5 January 2020

### WR48A

G-5 September 2017  
H-5 October 2018  
J-5 January 2019  
J-7 July 2019  
K-5 January 2020

### WR48A-01

H-5 October 2018  
J-5 March 2019  
J-7 July 2019  
K-5 January 2020

### WR48A-D2

H-5 November 2018  
J-5 March 2019  
J-7 July 2019

### WR48A-D4

J-5 April 2019  
J-7 July 2019  
K-5 January 2020

### SR48A-8

H-5 October 2018  
H-6 December 2018  
J-5 January 2019  
J-7 July 2019  
K-5 February 2020

### SR48A-12

H-5 October 2018  
H-6 November 2018  
J-5 January 2019  
J-7 July 2019  
K-5 February 2020

### SR48A-12D2

H-5 October 2018  
H-6 November 2018  
J-5 January 2019  
K-5 January 2020

### SR48A-12D4

H-5 October 2018  
H-6 November 2018  
J-5 January 2019  
J-7 July 2019  
K-5 January 2020

### SR48A-12M

H-6 November 2018  
J-5 February 2019  
J-8 November 2019  
K-5 January 2020

### SR48A-18M

H-5 January 2018  
H-6 November 2018  
J-5 January 2019  
J-7 July 2019  
J-8 September 2019  
K-5 January 2020

### SR48A-18MD2

H-5 October 2018  
H-6 November 2018  
J-5 January 2019  
J-7 July 2019  
J-8 October 2019

### SR48A-18MD4

H-5 January 2018  
H-6 November 2018  
J-5 January 2019  
J-7 July 2019  
J-8 November 2019  
K-5 January 2020

## **Auxiliary Codes Continued**

### **UF48A**

G-5 June 2017  
H-5 October 2018  
J-5 January 2019  
J-6 June 2019  
J-7 July 2019  
K-5 January 2020

### **UF48A-01**

H-5 November 2018  
J-5 March 2019  
J-7 July 2019  
K-5 January 2020

### **UF48A-D4**

G-5 September 2017  
H-5 October 2018  
J-5 January 2019  
J-7 July 2019  
K-5 February 2020

### **WF48A**

H-5 October 2018  
J-5 January 2019  
J-6 June 2019  
J-7 August 2019  
K-5 January 2020

### **WF48A-01**

H-5 October 2018  
J-5 January 2019  
J-7 August 2019  
K-5 February 2020

### **WF48A-D4**

H-5 November 2018  
J-5 January 2019  
J-6 June 2019  
J-7 August 2019  
K-5 January 2020

## Auxiliary Codes Continued

### UR60A

G-5 August 2017  
H-5 October 2018  
J-5 January 2019  
J-6 May 2019  
J-7 June 2019  
J-8 July 2019  
K-5 January 2020

### UR60A-01

J-6 May 2019  
J-8 December 2019  
K-5 February 2020

### UR60A-D2

H-5 October 2018  
J-5 January 2019  
J-7 June 2019  
J-8 September 2019  
K-5 January 2020

### UR60A-D4

G-5 October 2017  
J-5 March 2019  
J-6 May 2019  
J-7 June 2019  
J-8 July 2019  
K-5 January 2020

### WR60A

H-5 October 2018  
J-5 January 2019  
J-6 May 2019  
J-7 June 2019  
J-8 July 2019  
K-5 January 2020

### WR60A-01

J-5 February 2019  
J-8 July 2019  
K-5 January 2020

### WR60A-D2

J-5 March 2019  
J-6 May 2019  
J-8 July 2019  
K-5 January 2020

### WR60A-D4

H-5 October 2018  
J-5 March 2019  
J-6 May 2019  
J-7 June 2019  
J-8 August 2019  
K-5 January 2020

### SR60A-8

H-5 October 2018  
H-6 November 2018  
J-5 January 2019  
J-8 September 2019  
K-5 February 2020

### SR60A-12

H-5 October 2018  
H-6 November 2018  
J-5 January 2019  
J-7 June 2019  
J-8 September 2019  
K-5 January 2020

### SR60A-12M

J-5 January 2019  
J-7 June 2019  
J-8 August 2019  
K-5 January 2020

### SR60A-16

H-5 October 2018  
H-6 November 2018  
J-5 January 2019  
J-6 May 2019  
J-7 June 2019  
J-8 July 2019  
K-5 January 2020

### SR60A-18M

H-5 October 2018  
H-6 November 2018  
J-5 January 2019  
J-6 May 2019  
J-7 June 2019  
J-8 July 2019  
K-5 January 2020

### SR60A-24M

H-5 October 2018  
H-6 November 2018  
J-5 January 2019  
J-6 May 2019  
J-7 June 2019  
J-8 July 2019  
J-9 September 2019  
K-5 January 2020

### SR60A-24MD2

H-5 October 2018  
H-6 November 2018  
J-5 March 2019  
J-6 May 2019  
J-7 June 2019  
J-8 August 2019  
J-9 December 2019

### SR60A-24MD4

H-5 March 2018  
H-6 November 2018  
J-5 January 2019  
J-6 May 2019  
J-7 June 2019  
J-8 July 2019  
J-9 September 2019



## **Auxiliary Codes Continued**

### **UF60A**

G-5 April 2017  
H-5 October 2018  
J-5 January 2019  
J-7 June 2019  
J-8 July 2019  
K-5 January 2020

### **UF60A-01**

H-5 October 2018  
J-5 July 2019

### **WF60A**

G-5 April 2017  
H-5 October 2018  
J-5 January 2019  
J-6 May 2019  
J-7 June 2019  
J-8 July 2019  
K-5 January  
2020

### **WF60A-01**

H-5 November 2018  
J-5 July 2019

## Auxiliary Codes Continued

### UR72A

G-5 October 2017  
H-5 November 2018  
J-5 January 2019  
J-6 May 2019  
J-7 June 2019  
J-8 July 2019  
K-5 January 2020

### UR72A-01

J-5 July 2019

### UR72A-D6

G-5 September 2017  
H-5 December 2018  
J-5 February 2019  
J-7 June 2019  
J-8 July 2019  
K-5 January 2020

### WR72A

H-5 November 2018  
J-5 January 2019  
J-6 May 2019  
J-7 June 2019  
J-8 August 2019  
K-5 January 2020

### WR72A-01

J-6 May 2019

### WR72A-D6

H-5 October 2018  
J-5 January 2019  
J-6 May 2019  
J-8 July 2019  
K-5 January 2020

### SR72A-12

H-5 October 2018  
J-5 February 2019  
J-6 May 2019  
J-8 July 2019  
K-5 January 2020

### SR72A-16

J-5 January 2019  
J-8 July 2019  
K-5 January 2020

### SR72A-18

H-5 October 2018  
H-6 November 2018  
J-5 January 2019  
J-6 May 2019  
J-7 June 2019  
J-8 July 2019  
K-5 January 2020

### SR72A-18M

H-5 October 2018  
H-6 November 2018  
J-5 January 2019  
J-6 May 2019  
J-8 July 2019  
J-9 September 2019

### SR72A-24M

H-5 October 2018  
H-6 November 2018  
J-5 January 2019  
J-6 May 2019  
J-9 September 2019

### SR72A-30M

H-5 February 2018  
H-6 November 2018  
J-5 January 2019  
J-6 May 2019  
J-7 June 2019  
J-8 July 2019  
J-9 September 2019  
K-5 February 2020

### SR72A-30MD2

H-5 October 2018  
H-6 November 2018  
J-5 January 2019  
J-7 June 2019  
J-9 September 2019  
K-5 January 2020

### SR72A-30MD4

H-5 October 2018  
H-6 November 2018  
J-5 January 2019  
J-7 June 2019  
J-8 August 2019  
J-9 September 2019  
K-5 February 2020

### SR72A-30MD6

H-5 February 2018  
H-6 November 2018  
J-5 January 2019  
J-8 August 2019  
J-9 September 2019  
K-5 January 2020

## **Model Codes**

The model number code breakdown is as follows:

U – Undercounter

W – Worktop

R – Refrigerator

F – Freezer

27, 36, 48, 60, 72 – width

After Dash (-) Nomenclature:

-GLP – Glass Door

-01 – Locks

-LP – Low Profile Casters

-LPC – Low Profile Stainless Steel Shelf

-D2, -D4, -D6 – Drawers and Drawer/Door Combination

-8, -10, -12, -16, -18 – Prep Table Number of Pans

-12M, -15M, -18M, -24M, -30M – Mega Top Number of Pans

## **Auxiliary Code Breakdown**

The auxiliary code is the first two characters in the serial number. The first character indicates the year. Years progress or regress in alphabetical order. The series runs from "A" through "V" and the letters "I" and "O" are skipped. The second character indicates significant part changes within a year. Base is "5" and this number advances for each change. In cases where there is a letter in parentheses, this designates the month. This is the last character in the serial number. The series runs from "(A)" through "(M)" and the letter "(I)" is skipped. This designation is only included when identifying a parts change within an auxiliary code.

## **Note About Ordering Parts**

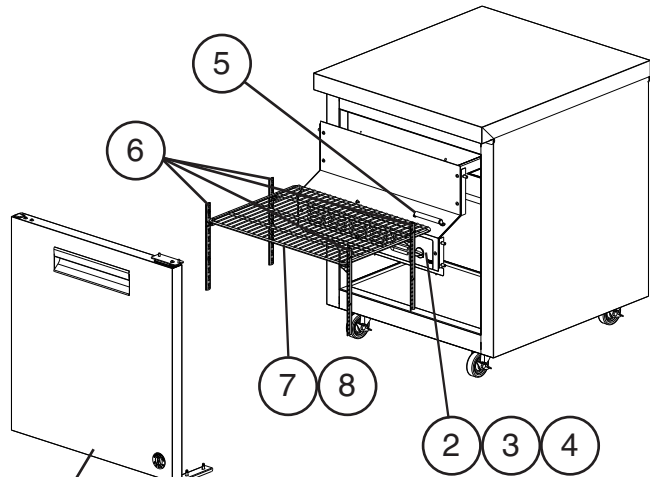
Most assemblies cannot be ordered as complete units; parts in the assemblies generally must be ordered separately.

# A. Main Assembly

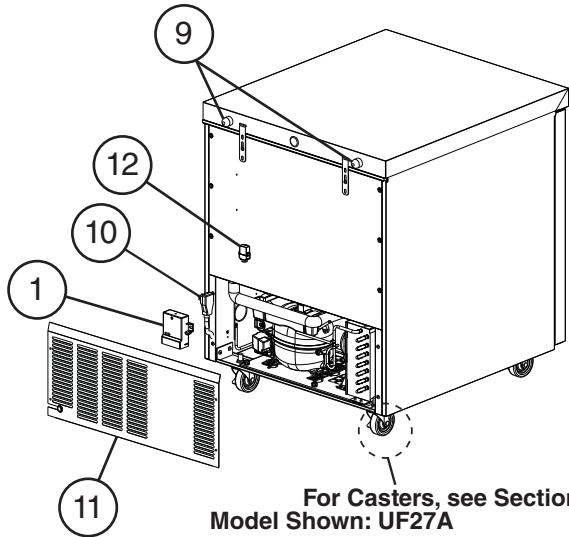
## UR27,WR27,SR27,UF27,andWF27 Undercounter,Worktop,and Prep Table

G-5 to K-5

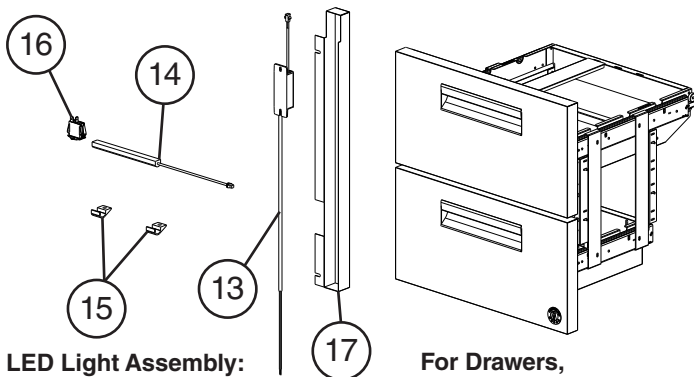
### Undercounter, Worktop, Prep Table Common Parts



For Door, see Sections "C, D, E or F"



For Casters, see Section "H"  
Model Shown: UF27A

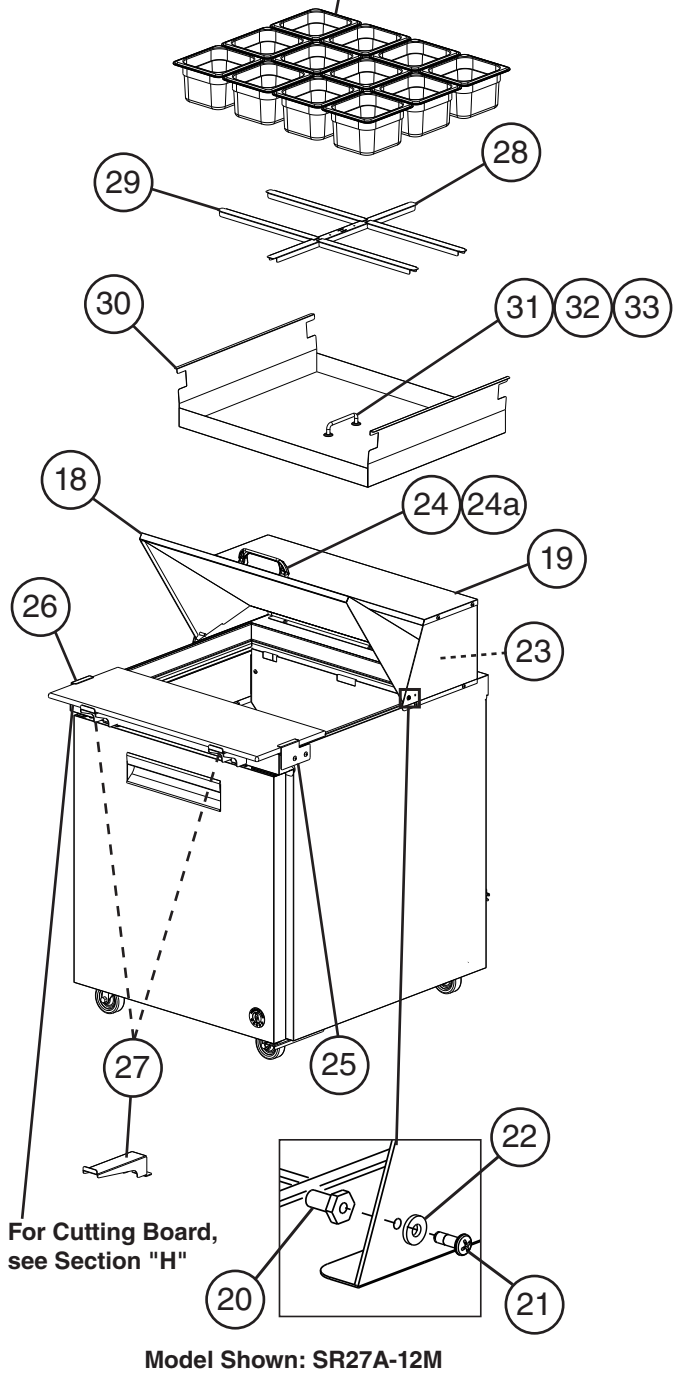


LED Light Assembly:  
Glass Door Models

For Drawers,  
see Section "G"

### Prep Table Specific Parts

For Pans, see Section "H"



For Cutting Board,  
see Section "H"

Model Shown: SR27A-12M

Title: A. Main Assembly Models: UR27, WR27, SR27, UF27, and WF27 Undercounter, Worktop, and Prep Table											
Index No.	Description	Material or Model Number	Part Number	G-5 to K-5	Required Number						
<b>Common Parts</b>											
1	Control Module	<b>UC/WT Refrigerator</b>	4A5959G02	1							
		<b>UC/WT Freezers</b>	4A5959G04	1							
		<b>Prep Tables</b>	4A5959G03	1							
2	Cabinet Temperature Control (Spindle)	<b>UC/WT/ Prep Tables</b>	4A5952-01	1							
3	Dial Plate	<b>UC/WT/ Prep Tables</b>	4A6031-01	1							
4	Dial Knob	<b>UC/WT/ Prep Tables</b>	4A5950-01	1							
5	Cabinet Thermometer		461083-01	1							
6	Side Pilaster	<b>All UC/WT/ Prep Tables Except -D(x) Models</b>	4A5854-01	4							
7	Shelf	<b>All UC/WT/ Prep Tables Except -D(x) Models -LPC Models</b>	3A2830-07	1							
		<b>-LPC Models</b>	3A2830-14	1							
			3A2830-20	1							
8	Shelf Clip	<b>All UC/WT/ Prep Tables Except -D(x) Models</b>	4A5418-01	4							
9	Bumper		3A6696-01	2							
10	Power Cord		4A5718-01	1							
11	Rear Panel	<b>UC/WT Refrigerator and Prep Tables</b>	1A4961-01	1							
		<b>UC/WT Freezers</b>	1A2260-01	1							
12	Pressure Relief Valve	<b>UC/WT Freezers</b>	4A5694-01	1							
13	LED Driver	<b>-GLP01</b>	1A5501-01	1							
14	LED Lamp		3A9348-01	1							
15	LED Clip		4A5906-01	2							
16	LED Switch		4A6067-01	1							
17	Channel		4A6064-01	1							

**Title: A. Main Assembly Models: UR27, WR27, SR27, UF27, and WF27 Undercounter, Worktop, and Prep Table**

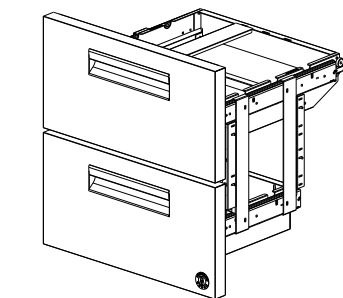
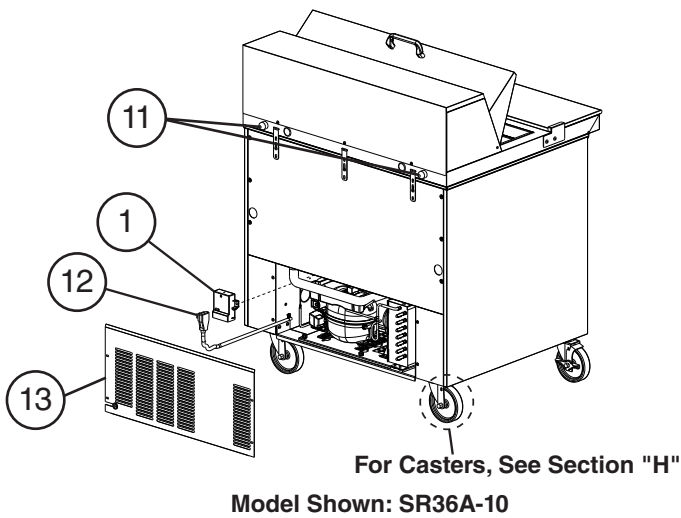
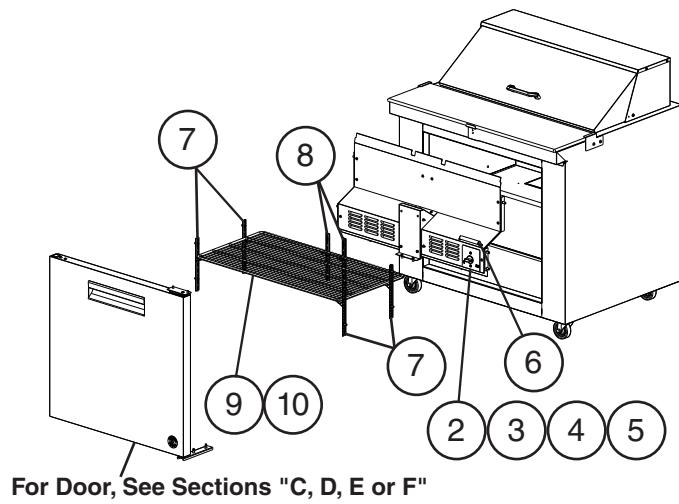
Index No.	Description	Material or Model Number	Part Number	Required Number									
				G-5 to K-5									
<b>Prep Table Specific Parts</b>													
18	Rail Cover (includes items 15 through 19a)	<b>-8, -8D2</b>	3A9410A01	1									
		<b>-12M, -12MD2</b>	3A9411A01	1									
19	Rail Hood		3A9407A01	1									
20	Pivot Pin		4A6161-01	2									
21	Pivot Bolt		4A6160-01	2									
22	Flat Washer		7W22I0832	2									
23	Tree Clip		4A0579-01	2									
24	Handle		1A3416-01	1									
24a	Pan Head Screw		7C12I1412	2									
25	Right Cutting Board Bracket	<b>-8, -8D2, -12M, -12MD2</b>	3A8971-02	1									
26	Left Cutting Board Bracket	<b>-8, -8D2, -12M, -12MD2</b>	3A8971-01	1									
27	Center Cutting Board Bracket	<b>-8, -8D2</b>	4A5905-01	1									
		<b>-12M, -12MD2</b>	4A6794-01	2									
28	Rail Divider (front-to-back)	<b>-8, -8D2</b> (HS-5187)	3A8903-01	1									
		<b>-12M, -12MD2</b> (HS-5184)	3A8855-01	1									
29	Rail Divider (side-to-side)	<b>-8, -8D2</b> (HS-5185)	3B0027-03	2									
		<b>-12M, -12MD2</b> (HS-5185)		4									
30	Catch Tray (includes items 26 through 28)	<b>-8, -8D</b>	2A8668A01	1									
		<b>-12M, -12MD</b>	2A8666A01	1									
31	Handle		4A4518-01	1									
32	Pan Head Screw	8x32	7C12I0838	2									
33	Flat Washer	<b>-8, -8D2</b>	7W22-0400	2									
		<b>-12M, -12MD2</b>	7W22-0500	2									

# A. Main Assembly

## UR36, WR36, and SR36 Undercounter, Worktop, and Prep Table

G-5 to K-5

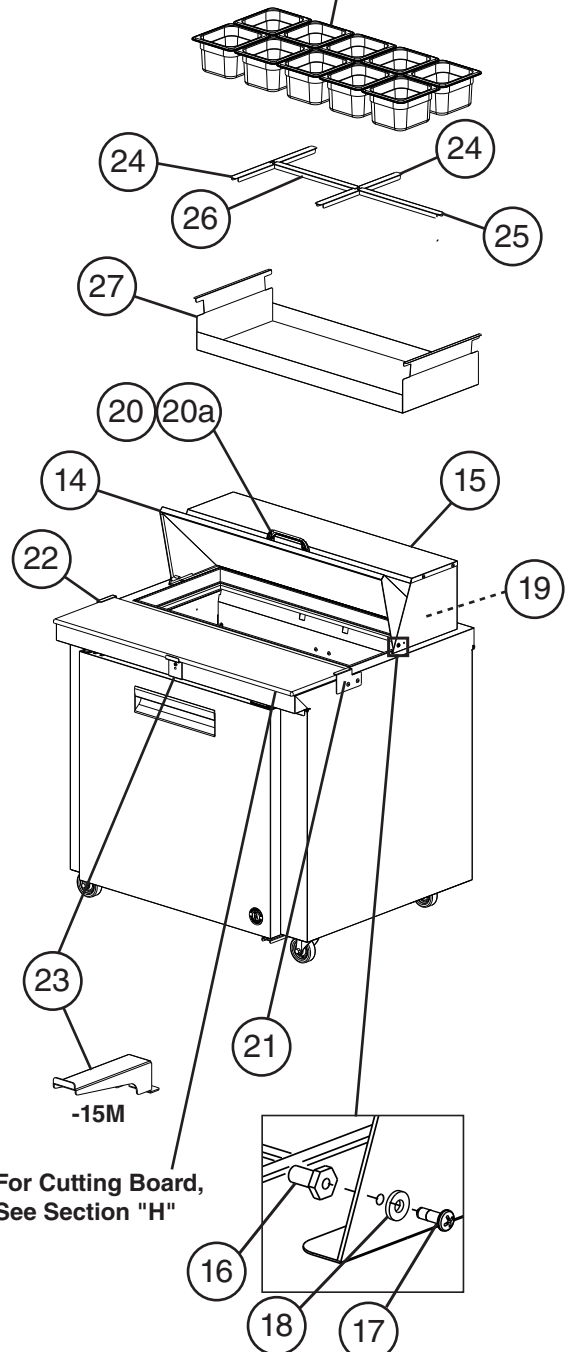
### Undercounter, Worktop, Prep Table Common Parts



For Drawers, see Section "G"

### Prep Table Specific Parts

For Pans, See Section "H"



Model Shown: SR36A-15M

<b>Title: A. Main Assembly    Models: UR36, WR36, and SR36 Undercounter, Worktop, and Prep Table</b>												
Index No.	Description	Material or Model Number	Part Number	Required Number								
				G-5 to J-8 (K)	J-8 (L) to K-5							
<b>Common Parts</b>												
1	Control Module	<b>UC/WT</b>	4A5959G02	1	1							
		<b>Prep Table</b>	4A5959G03	1	1							
2	Cabinet Temperature Control (Spindle)		4A5952-01	1	1							
3	Adapter Plate		4A5949-01	1	1							
4	Dial Plate		4A5960-01	1	1							
5	Dial Knob		4A5950-01	1	1							
6	Cabinet Thermometer		461083-01	1	1							
7	Side Pilaster		4A5719-01	4	4							
8	Center Pilaster		4A5417-01	2	2							
9	Shelf		3A6876-05	1	1							
10	Shelf Clip		4A5418-01	6	6							
11	Bumper		3A6696-01	2	2							
12	Power Cord		4A5718-01	1	1							
13	Rear Panel		1A2836-01	1	1							
<b>Prep Table Specific Parts</b>												
14	Rail Cover (includes items 16 through 20a)	<b>-10</b>	3A9408A01	1	1							
		<b>-15M</b>	3A9409A01	1	1							
15	Rail Hood		3A9406A01	1	1							
16	Pivot Pin		4A6161-01	2	2							
17	Pivot Bolt		4A6160-01	2	2							
18	Flat Washer		7W22I0832	2	2							
19	Tree Clip		4A0579-01	2	2							
20	Handle		1A3416-01	1	1							
20a	Pan Head Screw		7C12I1412	2	2							
21	Right Cutting Board Bracket	<b>-10, -15M</b>	3A8971-02	1	1							
22	Left Cutting Board Bracket	<b>-10, -15M</b>	3A8971-01	1	1							
23	Center Cutting Board Bracket	<b>-10</b>	4A5905-01	1	1							
		<b>-15M</b>	4A6794-01	3	2							
24	Rail Divider (front-to-back)	<b>-10</b> (HS-5187)	3A8903-01	2	2							
		<b>-15M</b> (HS-5184)	3A8855-01	2	2							
25	Rail Divider (side-to-side outer)	<b>-10</b> (HS-5185)	3B0027-03	1	1							
		<b>-15M</b> (HS-5185)		2	2							
26	Rail Divider (side-to-side center)	<b>-10</b> (HS-5186)	3B0028-03	1	1							
		<b>-15M</b> (HS-5186)		2	2							
27	Catch Tray	<b>-10</b>	1A4219-02	1	1							
		<b>-15M</b>	1A4219-03	1	1							



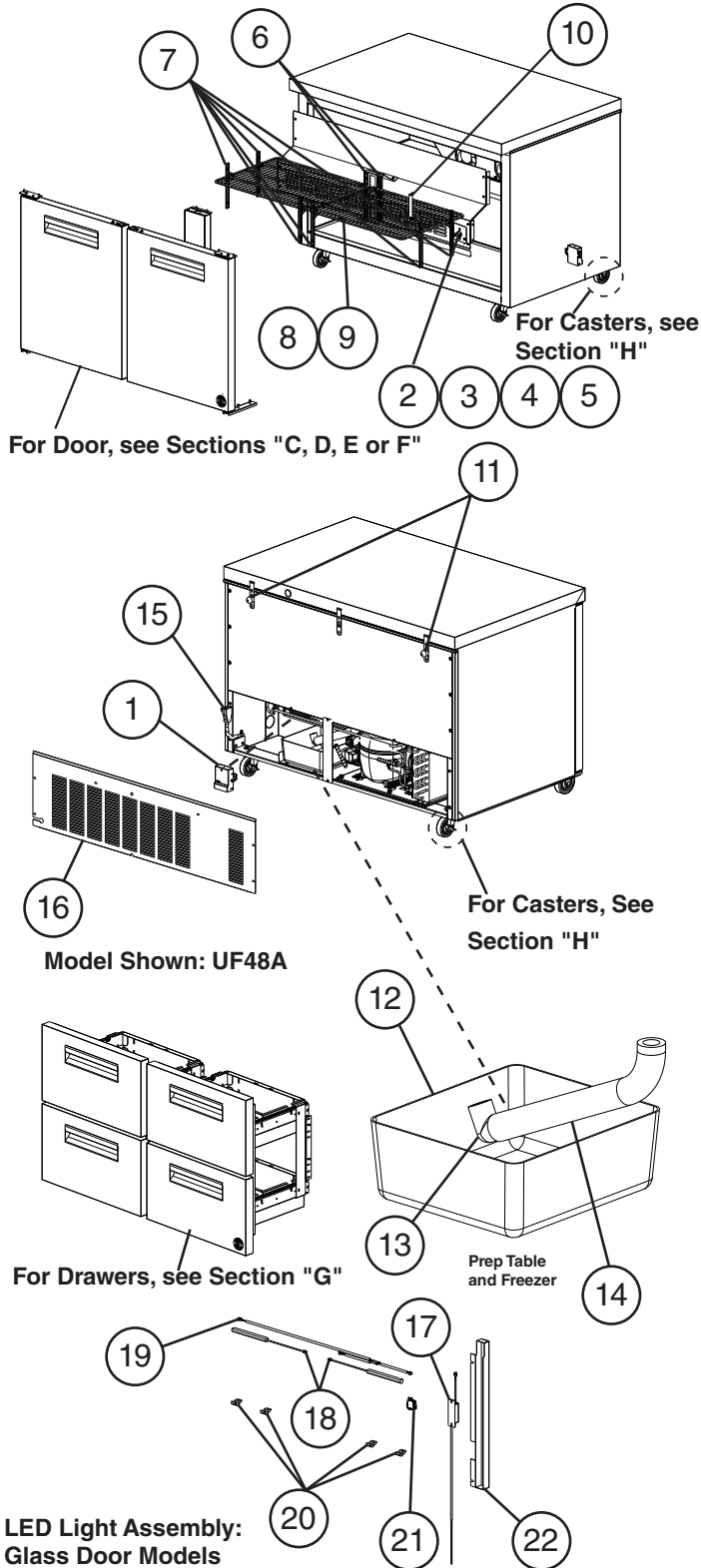
# A. Main Assembly

## UR48, WR48, SR48, UF48, and WF48 Undercounter, Worktop, and Prep Table

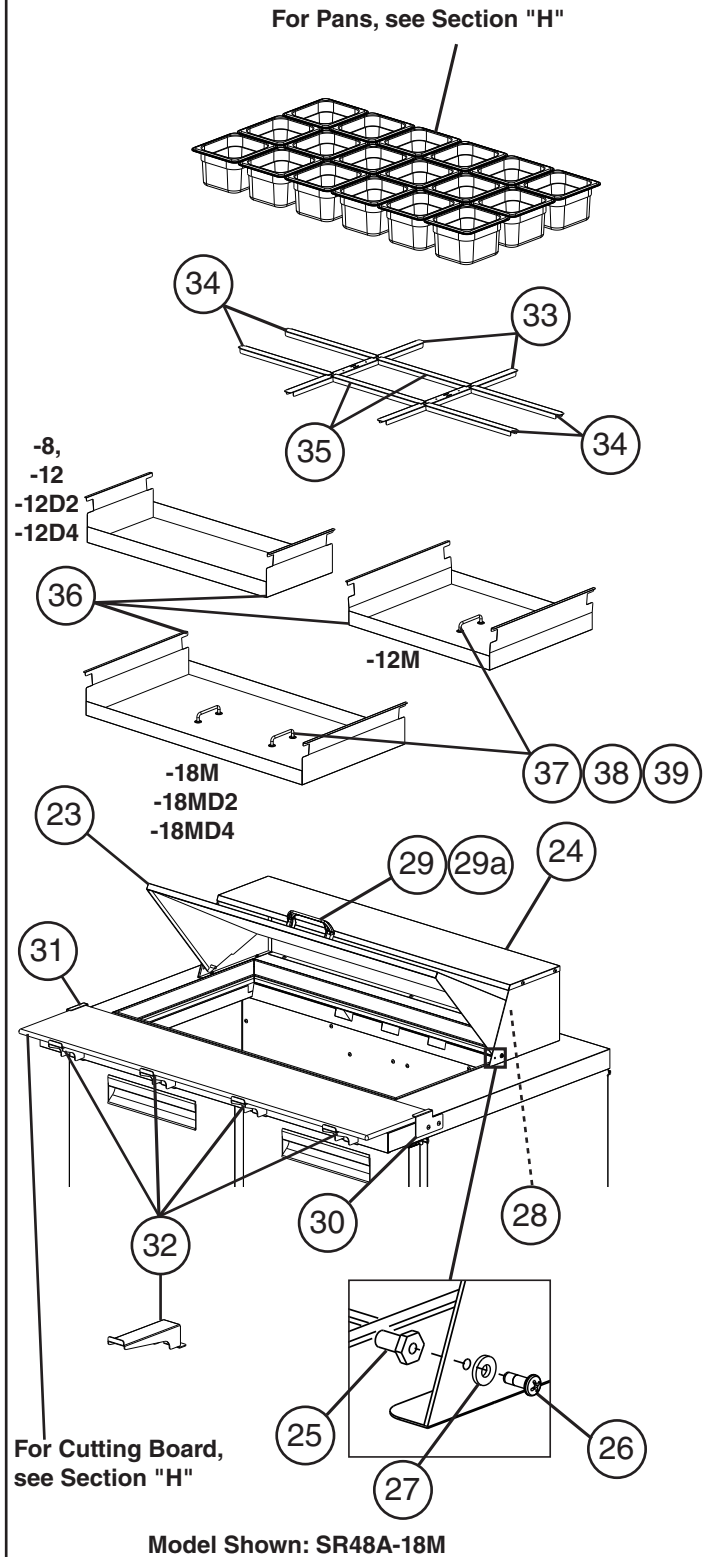
G-5 to K-5

### Undercounter, Worktop, Prep Table

#### Common Parts



#### Prep Table Specific Parts



<b>Title: A. Main Assembly    Models: UR48, WR48, SR48, UF48, and WF48 Undercounter, Worktop, and Prep Table</b>											
Index No.	Description	Material or Model Number	Part Number	Required Number							
				G-5 to J-8 (K)	J-8 (L) to K-5						
<b>Common Parts</b>											
1	Control Module	<b>UC/WT Refrigerator</b>	4A5959G02	1	1						
		<b>UC/WT Freezers</b>	4A5959G01	1	1						
		<b>Prep Tables</b>	4A5959G03	1	1						
2	Cabinet Temperature Control (Spindle)	<b>UC/WT/Prep Tables</b>	4A5952-01	1	1						
3	Adapter Plate	<b>UC/WT/Prep Tables</b>	4A5949-01	1	1						
4	Dial Plate Label	<b>UC/WT/Prep Tables</b>	4A5960-01	1	1						
5	Dial Knob	<b>UC/WT/Prep Tables</b>	4A5950-01	1	1						
6	Center Back Pilasters	<b>All UC/WT/Prep Tables Except -D(x) Models</b>	4A5417-01	2	2						
7	Sides and Front Pilaster	<b>UC/WT/Prep Tables</b>	4A5719-01	6	6						
		<b>Door/Drawer</b>		4	4						
8	Shelf	<b>UC/WT/Prep Tables</b>	3A2830-08	2	2						
		<b>Door/Drawer</b>		1	1						
9	Shelf Clip	<b>UC/WT/Prep Tables</b>	4A5418-01	8	8						
		<b>Door/Drawer</b>		4	4						
10	Cabinet Thermometer		461083-01	1	1						
11	Bumpers		3A6696-01	2	2						
12	Condensate Pan	<b>UC/WT Freezers/ Prep Tables</b>	1A3373-01	1	1						
13	Elbow Socket		4A5624-01	1	1						
14	Hose		4A0658L01	1	1						
15	Power Cord		4A5718-01	1	1						
16	Rear Panel	<b>UC/WT Refrigerators</b>	1A2261-01	1	1						
		<b>UC/WT Freezers/ Prep Tables</b>	1A5747-01	1	1						
17	LED Driver	<b>-GLP01</b>	1A5501-01	1	1						
18	LED Lamp		3A9348-01	2	2						
19	LED Y Harness		4A6080-01	1	1						
20	LED Clip		4A5906-01	4	4						
21	LED Switch		4A6067-01	1	1						
22	Channel		4A6064-01	1	1						

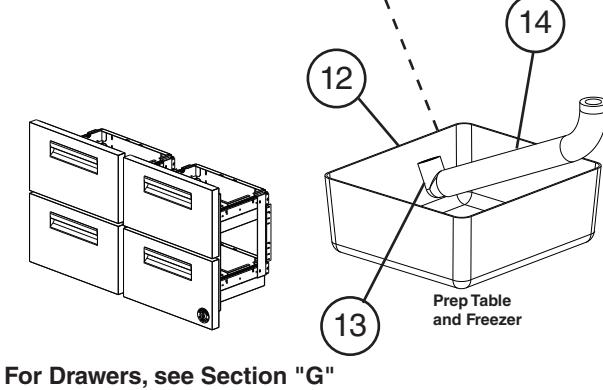
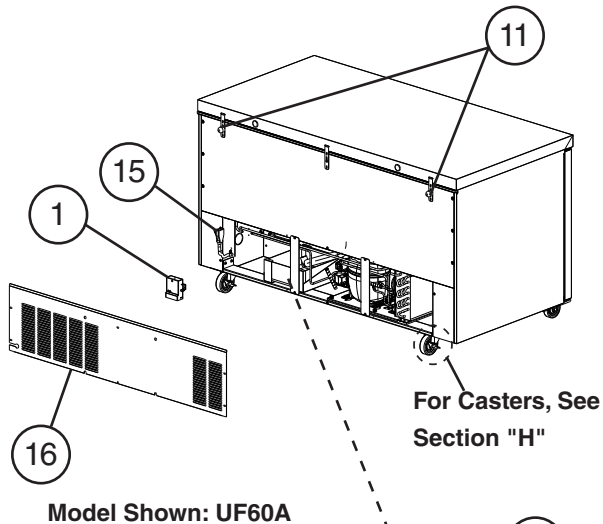
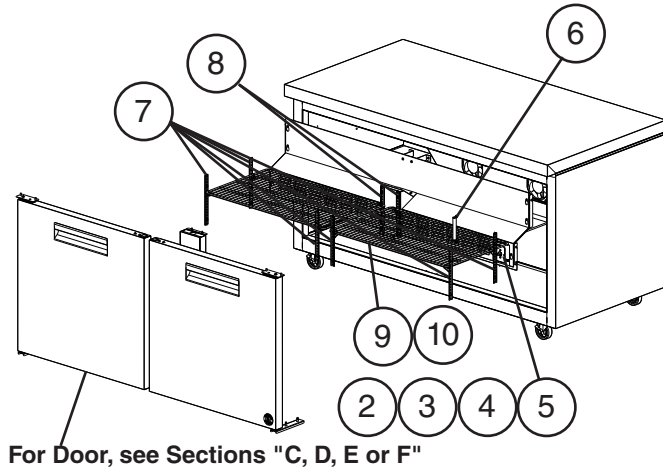
<b>Title: A. Main Assembly Models: UR48, WR48, SR48, UF48, and WF48 Undercounter, Worktop, and Prep Table</b>										
Index No.	Description	Material or Model Number	Part Number	Required Number						
				G-5 to J-8 (K)	J-8 (L) to K-5					
<b>Prep Table Specific Parts</b>										
23	Rail Cover Assembly (includes items 19 through 23a)	-8	3A9405A01	1	1					
		-12, -12D2, -12D4	3A9398A01	1	1					
		-12M	3A9402A01	1	1					
		-18M, -18MD2, -18MD4	3A9399A01	1	1					
24	Rail Hood	-8	3A9404A01	1	1					
		-12M	3A9403A01	1	1					
		-12, -12D2, -12D4	3A9394A01	1	1					
		-18M, -18MD2, -18MD4	3A9395A01	1	1					
25	Pivot Pin		4A6161-01	2	2					
26	Pivot Bolt		4A6160-01	2	2					
27	Flat Washer		7W22I0832	2	2					
28	Tree Clip		4A0579-01	2	2					
29	Handle		1A3416-01	1	1					
29a	Pan Head Screw		7C12I1412	2	2					
30	Right Cutting Board Bracket		3A8971-02	1	1					
31	Left Cutting Board Bracket		3A8971-01	1	1					
32	Center Cutting Board Bracket	-8, -12, -12D2, -12D4	4A5905-01	2	2					
		-12M, -18M, -18MD2, -18MD4	4A6794-01	4	3					
33	Rail Divider A (front-to-back)	-8 (HS-5188)	3A8904-01	1	1					
		-12, -12D2, -12D4 (HS-5188)		2	2					
		-12M (HS-5184)	3A8855-01	1	1					
		-18M, -18MD2, -18MD4 (HS-5184)		2	2					
34	Rail Divider B (side-to-side)	-8 (HS-5189)	3B0027-01	1	1					
		-12, -12D2, -12D4 (HS-5189)		2	2					
		-12M (HS-5185)	3B0027-03	4	4					
	(outer side-to-side) -18M -18MD2, -18MD4 (HS-5185)	4		4						
35	Rail Divider C (center side-to-side)	-18M, -18MD2, -18MD4 (HS-5186)	3B0028-03	2	2					
36	Catch Tray	-8	1A4221-01	1	1					
		-12, -12D2, -12D4	1A4221-03	1	1					
	(includes items 31 through 33)	-12M	2A8666A01	1	1					
		-18M, -18MD2, -18MD4	2A8667A01	1	1					
37	Handle	12M	4A4518-01	1	1					
		-18M, -18MD2, -18MD4		2	2					
38	Pan Head Screw	-12M	7C12I0838	2	2					
		-18M, -18MD2, -18MD4		4	4					
39	Flat Washer	-8, -8D2	7W22-0400	2	2					
		-12M, -12MD2	7W22-0500	2	2					

# A. Main Assembly

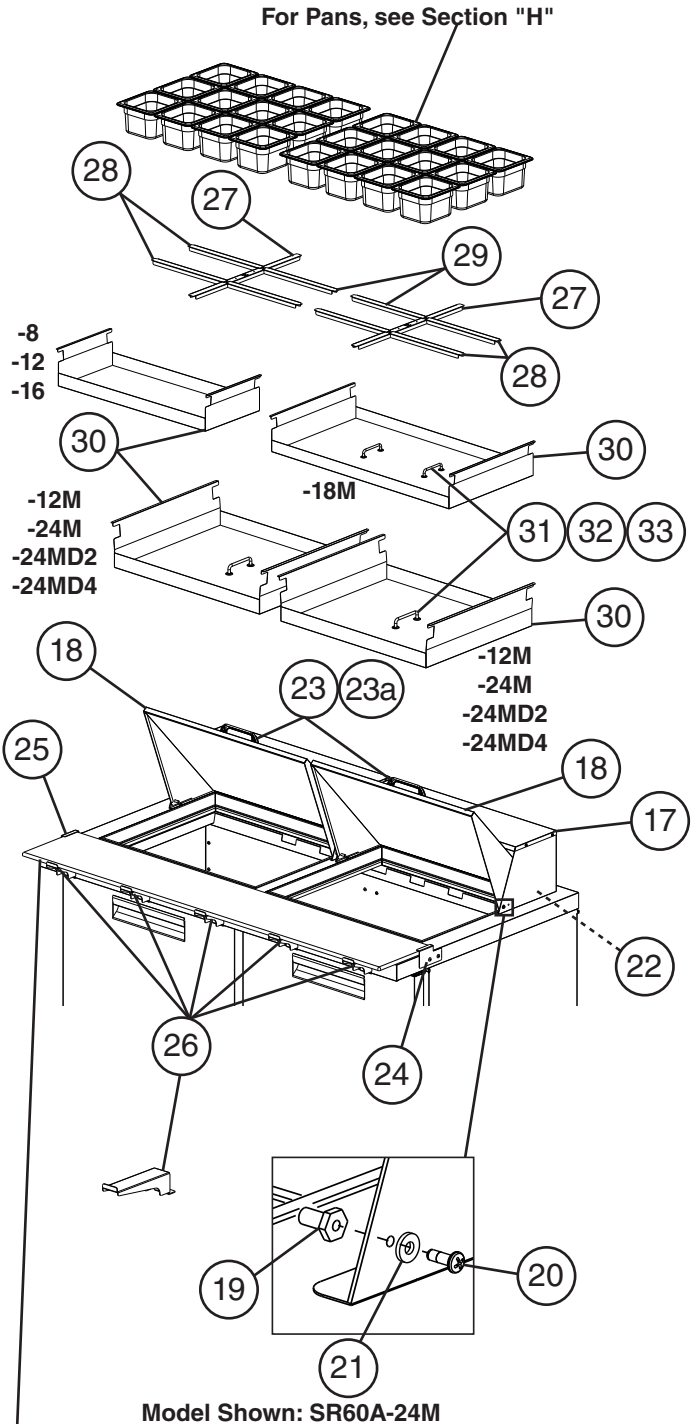
## UR60, WR60, SR60, UF60, and WF60 Undercounter, Worktop, and Prep Table

G-5 to K-5

### Undercounter, Worktop, Prep Table Common Parts



### Prep Table Specific Parts



<b>Title: A. Main Assembly Models: UR60, WR60, SR60, UF60, and WF60 Undercounter, Worktop, and Prep Table</b>											
Index No.	Description	Material or Model Number	Part Number	Required Number							
				G-5 to J-9 (K)	J-9 (L) to K-5						
<b>Common Parts</b>											
1	Control Module	<b>UC/WT Refrigerators</b>	4A5959G02	1	1						
		<b>UC/WT Freezers</b>	4A5959G01	1	1						
		<b>Prep Tables</b>	4A5959G03	1	1						
2	Cabinet Temperature Control (Spindle)	<b>UC/WT/Prep Tables</b>	4A5952-01	1	1						
3	Adapter Plate		4A5949-01	1	1						
4	Dial Plate	<b>UC/WT</b>	4A5960-01	1	1						
5	Dial Knob	<b>UC/WT/Prep Tables</b>	4A5950-01	1	1						
6	Cabinet Thermometer		461083-01	1	1						
7	Side and Front Pilaster		4A5719-01	6	6						
		<b>Door/Drawer</b>		4	4						
8	Rear Pilaster		4A5417-01	2	2						
9	Shelf		3A2830-09	2	2						
		<b>Door/Drawer</b>		1	1						
10	Shelf Clip		4A5418-01	8	8						
		<b>Door/Drawer</b>		4	4						
11	Bumpers		3A6696-01	2	2						
12	Condensate Pan	<b>UC/WT Freezers/ Prep Tables</b>	1A3373-01	1	1						
13	Elbow Socket		4A5624-01	1	1						
14	Hose		4A0658L01	1	1						
15	Power Cord		4A5718-01	1	1						
16	Rear Panel	<b>Refrigerators</b>	1A2542-01	1	1						
		<b>UC/WT Freezers/ Prep Tables</b>	1A5751-01	1	1						

<b>Title: A. Main Assembly    Models: UR60, WR60, SR60, UF60, and WF60 Undercounter, Worktop, and Prep Table</b>											
Index No.	Description	Material or Model Number	Part Number	Required Number							
				G-5 to J-9 (K)	J-9 to K-5						
<b>Prep Table Specific Parts</b>											
17	Rail Hood	-8	3A9404A01	1	1						
		-12M	3A9403A01	1	1						
		-12	3A9394A01	1	1						
		-18M	3A9395A01	1	1						
		-16	3A9396A01	1	1						
		-24M, -24MD2, -24MD4	3A9403A01	2	2						
18	Rail Cover (includes items 19 through 23a)	-8	3A9405A01	1	1						
		-12	3A9398A01	1	1						
		-12M	3A9402A01	1	1						
		-16	3A9400A01	1	1						
		-18M	3A9399A01	1	1						
		-24M, -24MD2, -24MD4	3A9402A01	2	2						
19	Pivot Pin	-8, -12, -12M, -16, -18M	4A6161-01	2	2						
		-24M, -24MD2, -24MD4		4	4						
20	Pivot Bolt	-8, -12, -12M, -16, -18M	4A6160-01	2	2						
		-24M, -24MD2, -24MD4		4	4						
21	Flat Washer	-8, -12, -12M, -16, -18M	7W22I0832	2	2						
		-24M, -24MD2, -24MD4		4	4						
22	Tree Clip	-8, -12, -12M, -16, -18M	4A0579-01	2	2						
		24M, -24MD2, -24MD4		3	3						
23	Handle	-8, -12, -12M, -16, -18M	1A3416-01	1	1						
		-24M, -24MD2, -24MD4		2	2						
23a	Pan Head Screw	-8, -12, -12M, -16, -18M	7C12I1412	2	2						
		-24M, -24MD2, -24MD4		4	4						
24	Right Cutting Board Bracket	-8, -12, -16, -12M, -18M, -24M, -24MD2, -24MD4	3A8971-02	1	1						
25	Left Cutting Board Bracket	-8, -12, -16, -12M, -18M, -24M, -24MD2, -24MD4	3A8971-01	1	1						
26	Center Cutting Board Bracket	-8, -12, -16	4A5905-01	3	3						
		-12M, -18M, -24M, -24MD2, -24MD4	4A6794-01	5	3						

Title: A. Main Assembly Models: UR60, WR60, SR60, UF60, and WF60 Undercounter, Worktop, and Prep Table											
Index No.	Description	Material or Model Number	Part Number	Required Number							
				G-5 to J-9 (K)	J-9 (L) to K-5						
27	Rail Divider (front-to-back)	-8 (HS-5188)	3A8904-01	1	1						
		-12 (HS-5188)		2	2						
		-16 (HS-5188)		3	3						
		-12M (HS-5184)	3A8855-01	1	1						
		-18M, -24M, -24MD2, -24MD4 (HS-5184)		2	2						
28	Rail Divider (side-to-side)	-8 (HS-5189)	3B0027-01	2	2						
	(outer side-to-side)	-12 (HS-5189)		2	2						
		-16 (HS-5189)		2	2						
	(side-to-side)	-12M (HS-5185)	3B0027-03	4	4						
	(outer side-to-side)	-18M (HS-5185)		4	4						
	(side-to-side)	-24M, -24MD2, -24MD4 (HS-5185)		8	8						
29	Rail Divider C (center side to side)	-12 (HS-5190)	3B0028-01	1	1						
		-16 (HS-5190)		2	2						
		-18M (HS-5186)	3B0028-03	2	2						
30	Catch Tray	-8	1A4221-01	1	1						
		-12	1A4221-03	1	1						
		-16	1A4221-01	2	2						
	(includes items 31 through 33)	-12M, -24M, -24MD2, -24MD4	2A8666A01	2	2						
		-18M	2A8667A01	1	1						
31	Handle		4A4518-01	2	2						
32	Pan Head Screw		7C1210838	4	4						
33	Flat Washer		7W22-0500	4	4						

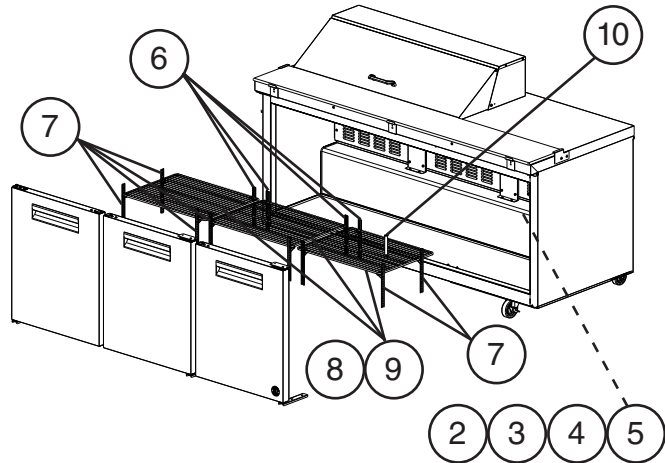
# A. Main Assembly

## UR72, WR72, and SR72 Undercounter, Worktop, and Prep Table

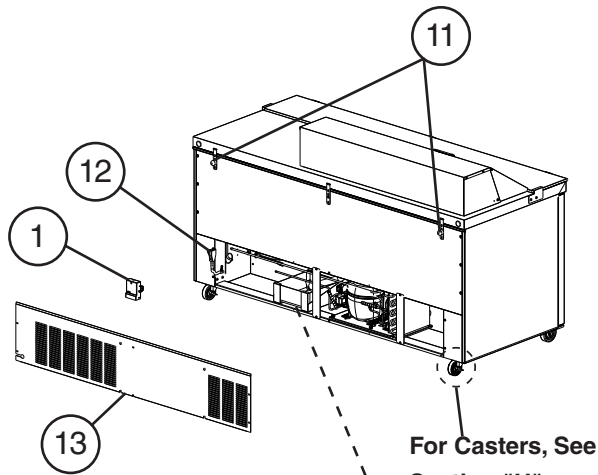
G-5 to K-5

### Undercounter, Worktop, Prep Table

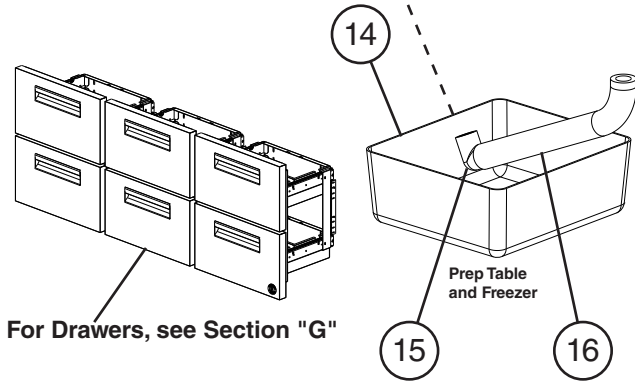
#### Common Parts



For Door, see Sections "C, D, E or F"



For Casters, See Section "H"



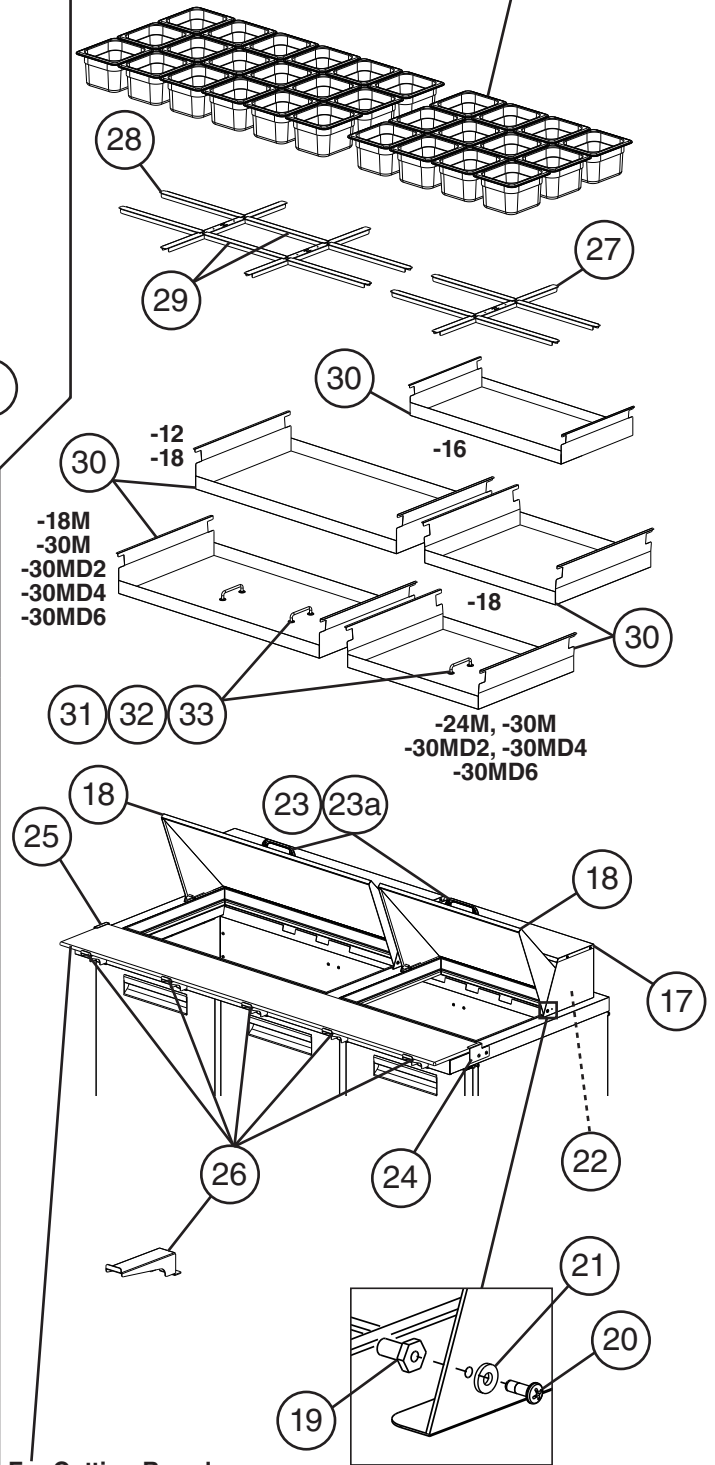
For Drawers, see Section "G"

Condensate Pan for SR72A Series

### Prep Table

#### Specific Parts

For Pans, see Section "H"



For Cutting Board, see Section "H"

Model Shown: SR72A-30M



<b>Title: A. Main Assembly    Models: UR72, WR72, and SR72 Undercounter, Worktop, and Prep Table</b>											
Index No.	Description	Material or Model Number	Part Number	Required Number							
				G-5 to J-9 (K)	J-9 to K-5						
<b>Common Parts</b>											
1	Control Module	<b>UC/WT</b>	4A5959G02	1	1						
		<b>Prep Table</b>	4A5959G03	1	1						
2	Cabinet Temperature Control (Spindle)	<b>UC/WT/Prep Table</b>	4A5952-01	1	1						
3	Adapter Plate	<b>UC/WT/Prep Table</b>	4A5949-01	1	1						
4	Dial Plate		4A5960-01	1	1						
5	Dial Knob	<b>UC/WT/Prep Table</b>	4A5950-01	1	1						
6	Rear Pilaster		4A5417-01	4	4						
		<b>-30MD2</b>		2	2						
7	Side and Front Pilaster		4A5719-01	8	8						
		<b>-30MD2</b>		6	6						
		<b>-30MD4</b>		4	4						
8	Shelf		3A2830-07	3	3						
		<b>-30MD2</b>		2	2						
		<b>-30MD4</b>	3A2830-08	1	1						
9	Shelf Clip		4A5418-01	12	12						
		<b>-30MD2</b>		8	8						
		<b>-30MD4</b>		4	4						
10	Cabinet Thermometer		461083-01	1	1						
11	Bumpers		3A6696-01	2	2						
12	Power Cord		4A5718-01	1	1						
13	Rear Panel	<b>UC/WT</b>	1A2525-01	1	1						
		<b>Prep Tables</b>	1A2668-01	1	1						
14	Condensate Pan	<b>UC/WT</b>	3A9478-01	1	1						
		<b>Prep Table</b>	1A3373-01	1	1						
15	Elbow Socket		4A5624-01	1	1						
16	Hose		4A0658L01	1	1						

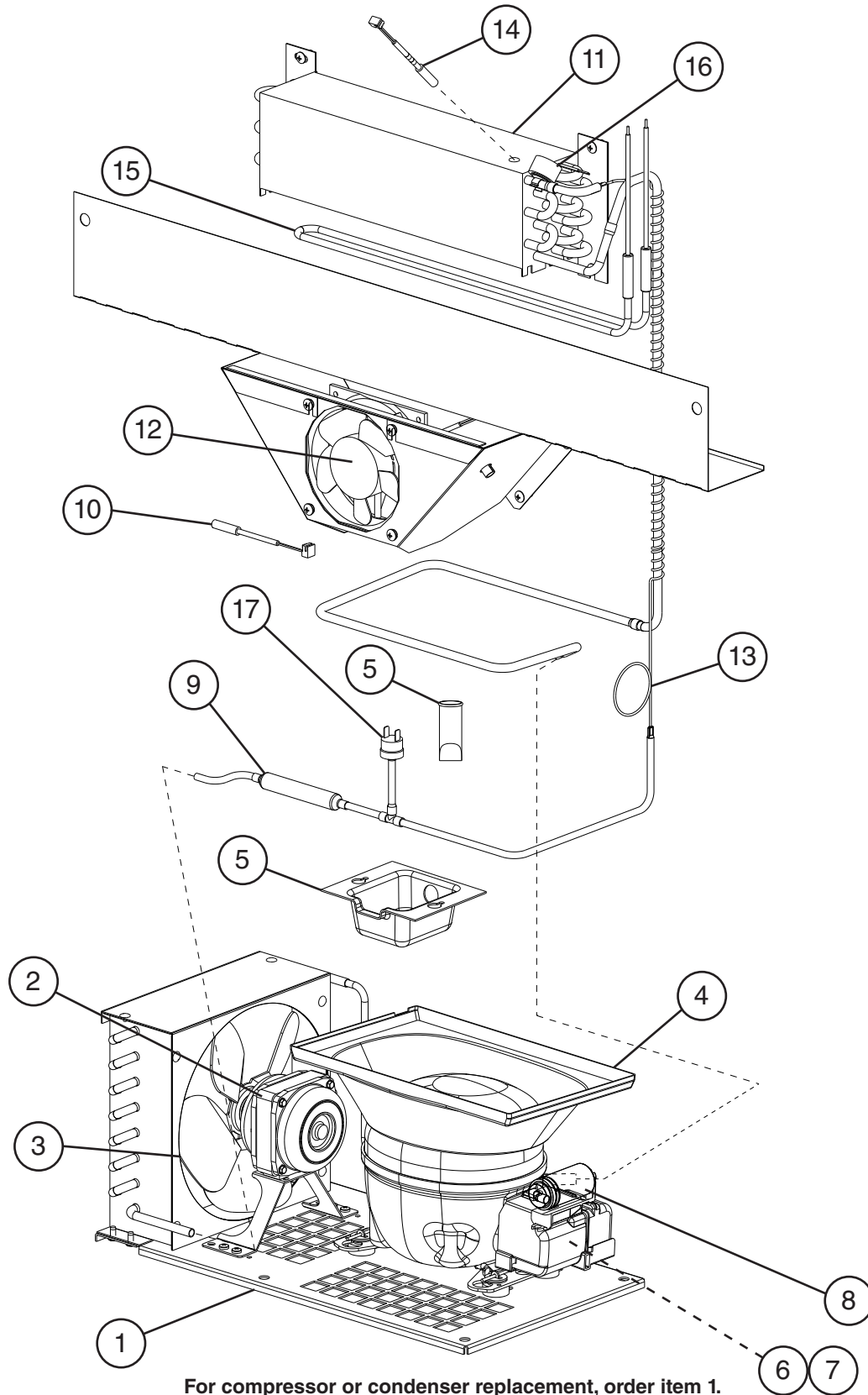
Title: A. Main Assembly Models: UR72, WR72, and SR72 Undercounter, Worktop, and Prep Table											
Index No.	Description	Material or Model Number	Part Number	Required Number							
				G-5 to J-9 (K)	J-9 to K-5 (L)						
<b>Prep Table Specific Parts</b>											
17	Rail Hood	-12	3A9394A01	1	1						
		-18M	3A9395A01	1	1						
		-16	3A9396A01	1	1						
		-18	3A9397A01	1	1						
		-24M	3A9403A01	2	2						
		-30M, -30MD2, -30MD4, -30MD6 (Right)	3A9403A01	1	1						
		-30M, -30MD2, -30MD4, -30MD6 (Left)	3A9395A01	1	1						
18	Rail Cover (includes items 19 through 23a)	-12	3A9398A01	1	1						
		-16	3A9400A01	1	1						
		-18	3A9401A01	1	1						
		-18M	3A9399A01	1	1						
		-24M	3A9402A01	2	2						
		-30M, -30MD2, -30MD4, -30MD6 (Right)	3A9402A01	1	1						
		-30M, -30MD2, -30MD4, -30MD6 (Left)	3A9399A01	1	1						
19	Pivot Pin	-12, -16, -18, -18M	4A6161-01	2	2						
		-24M, -30M, -30MD2, -30MD4, -30MD6		4	4						
20	Pivot Bolt	-12, -16, -18, -18M	4A6160-01	2	2						
		-24M, -30M, -30MD2, -30MD4, -30MD6		4	4						
21	Flat Washer	-12, -16, -18, -18M	7W22I0832	2	2						
		-24M, -30M, -30MD2, -30MD4, -30MD6		4	4						
22	Tree Clip	-12, -16, -18, -18M	4A0579-01	2	2						
		-24M, -30M, -30MD2, -30MD4, -30MD6		4	4						
23	Handle	-12, -16, -18, -18M	1A3416-01	1	1						
		-24M, -30M, -30MD2, -30MD4, -30MD6		2	2						
23a	Pan Head Screws	-12, -16, -18, -18M	7C12I1412	2	2						
		-24M, -30M, -30MD2, -30MD4, -30MD6		4	4						
24	Right Cutting Board Bracket		3A8971-02	1	1						
25	Left Cutting Board Bracket		3A8971-01	1	1						

Title: A. Main Assembly Models: UR72, WR72, and SR72 Undercounter, Worktop, and Prep Table										
Index No.	Description	Material or Model Number	Part Number	Required Number						
				G-5 to J-9 (K)	J-9 to K-5					
26	Center Cutting Board Bracket	-12, -16, -18	4A5905-01	3	3					
		-18M, -24M, -30M, -30MD2, -30MD4, -30MD6	4A6794-01	5	4					
27	Rail Divider (front-to-back)	-12, -18 (HS-5188)	3A8904-01	2	2					
		-16 (HS-5188)		3	3					
		-18M, -24M (HS-5184)	3A8855-01	2	2					
		-30M, -30MD2, -30MD4, -30MD6 (HS-5184)		3	3					
28	Rail Divider (side-to-side)	-12 (HS-5189)	3B0027-01	2	2					
	(outer side to side)	-16 (HS-5189)		2	2					
		-18 (HS-5191)	3B0027-02	2	2					
	(outer side to side)	-18M (HS-5185)	3B0027-03	4	4					
	(side-to-side)	-24M (HS-5185)		8	8					
	(outer side to side)	-30M, -30MD2, -30MD4, -30MD6 (HS-5185)		8	8					
29	Rail Divider C (center side-to-side)	-12 (HS-5190)	3B0028-01	1	1					
		-16 (HS-5190)		2	2					
		-18 (HS-5192)	3B0028-02	1	1					
		-18M, -30M, -30MD2, -30MD4, -30MD6 (HS-5186)	3B0028-03	2	2					
30	Catch Tray	-12	1A4221-03	1	1					
		-16	1A4221-01	2	2					
		-18	1A4221-02	1	1					
			1A4221-03	1	1					
		-18M	2A8667A01	1	1					
		-24M	2A8666A01	2	2					
		-30M, -30MD2, -30MD4, -30MD6	2A8666A01	1	1					
			2A8667A01	1	1					
31	Handle	2A8666A01	4A4518-01	1	1					
		2A8667A01		2	2					
32	Pan Head Screw	2A8666A01	7C12I0838	2	2					
		2A8667A01		4	4					
33	Flat Washer	2A8666A01	7W22-0500	2	2					
		2A8667A01		4	4					

## B. Refrigeration Circuit

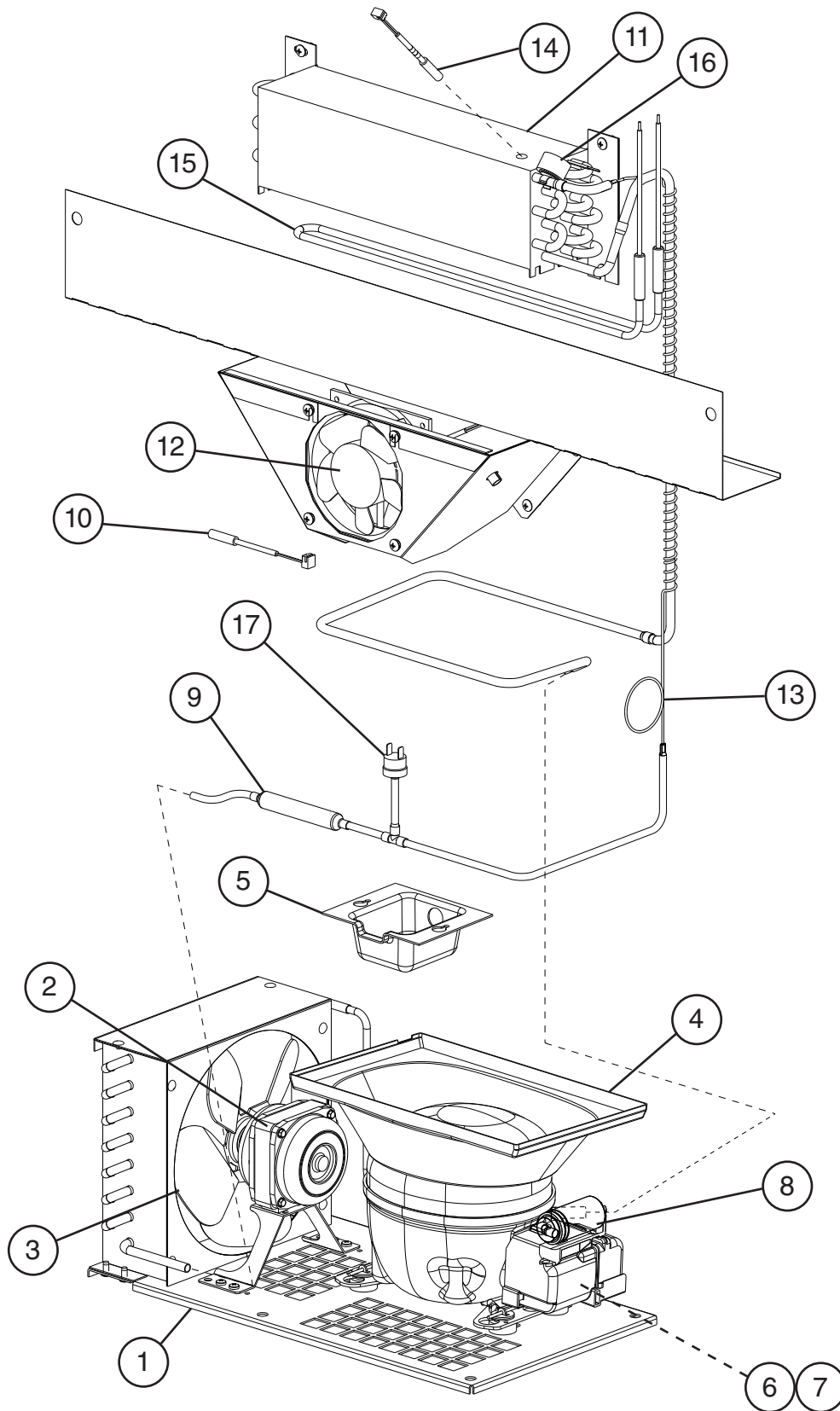
### UR27, WR27, and SR27 Undercounter, Worktop, and Prep Table

G-5 to K-5



Title: B. Refrigeration Circuit Models: UR27, WR27, and SR27 Undercounter, Worktop, Prep Table										
Index No.	Description	Material or Model Number	Part Number	Required Number						
				G-5 to H-5	H-6 to K-5					
1	Condensing Unit (includes compressor, condenser, and items 2 through 8; compressor and condenser are not sold individually)	<b>UC/WT</b>	3A9520-01	1	1					
		<b>Prep Table</b>	3A9316-01	1	1					
2	Condenser Fan Motor		3A6798-01	1	1					
3	Condenser Fan Blade		3A6799-01	1	1					
4	Condensate Pan	<b>UC/WT</b>	3A6758-01	1	1					
		<b>Prep Table</b>	3A9478-01	1	1					
5	Drain Cup	<b>UC/WT</b>	3A9702-01	1	1					
	Duct Bill	<b>Prep Tables</b>	SP-5345	1	-					
	Drain Cup		3A9702-01		1					
6	Compressor External Protector	<b>UC/WT</b>	3A9522-01	1	1					
		<b>Prep Table</b>	3A9475-01	1	1					
7	Start Relay	<b>UC/WT</b>	3A9523-01	1	1					
		<b>Prep Table</b>	3A9476-01	1	1					
8	Start Capacitor	<b>UC/WT</b> 145-175MFD, 250VAC	3A9524-01	1	1					
	Run Capacitor	<b>Prep Table</b> 12MFD, 250VAC	3A9477-01	1	1					
9	Drier		4A5576-01	1	1					
10	Cabinet Thermistor	<b>UC/WT/Prep Tables</b>	4A4864-01	1	1					
11	Evaporator		2A8513-01	1	1					
12	Evaporator Fan Motor		4A5343-01	1	1					
13	Capillary Tube Replacement Kit	L=2438mm	SP-5437	1	1					
14	Defrost Thermistor	<b>Prep Table</b>	4A4865-01	1	1					
15	Defrost Heater	<b>Prep Table</b>	3A6443-05	1	1					
16	Defrost Safety Thermostat	<b>Prep Table</b>	4A5853-01	1	1					
17	High-Pressure Switch		4A6039-01	1	1					

**B. Refrigeration Circuit**  
**UF27 and WF27 Undercounter and Worktop**  
G-5 to K-5



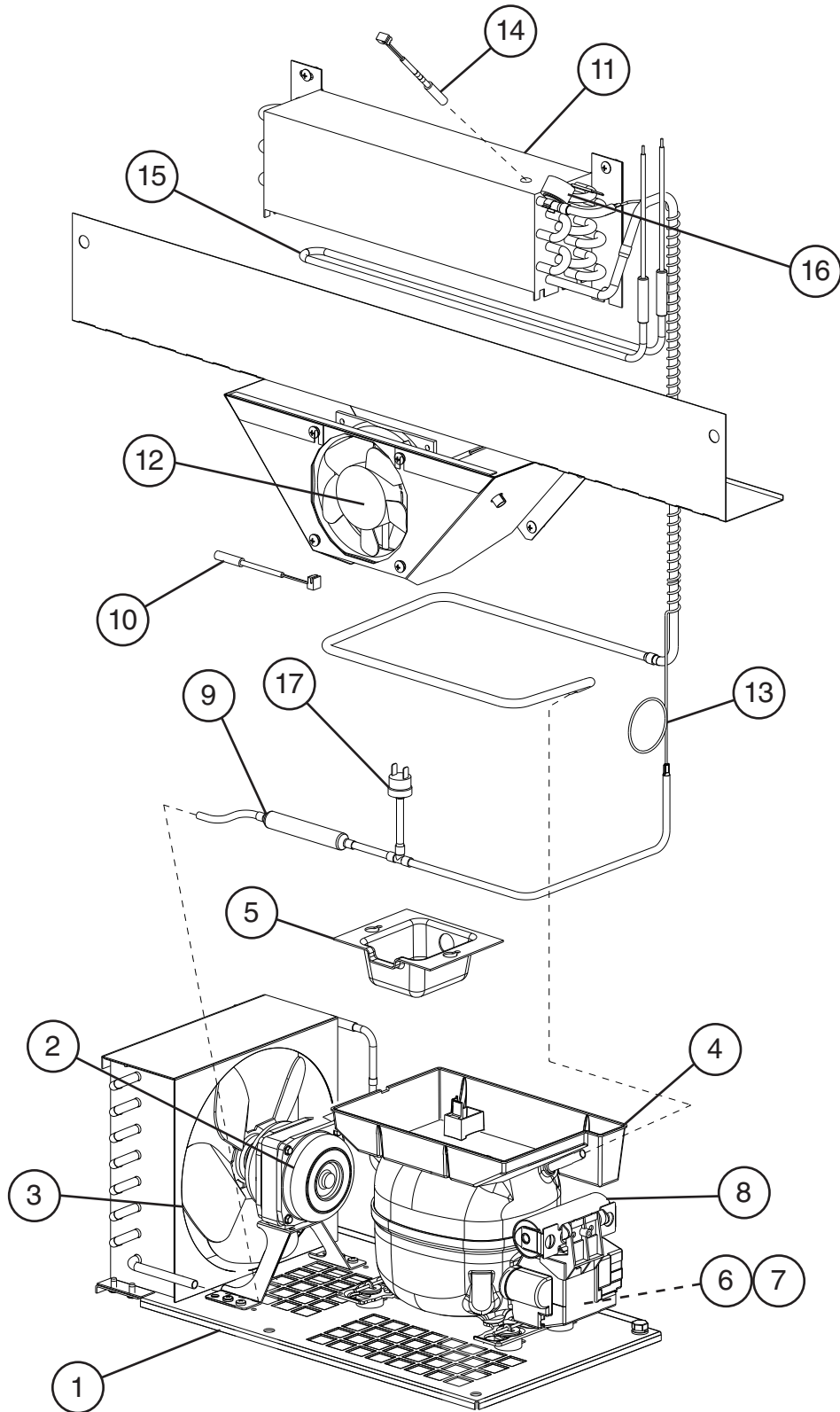
For compressor or condenser replacement, order item 1.

Title: B. Refrigeration Circuit    Models: UF27 and WF27 Undercounter and Worktop											
Index No.	Description	Material or Model Number	Part Number	G-5 to K-5	Required Number						
1	Condensing Unit (includes compressor, condenser, and items 2 through 7; compressor and condenser are not sold individually)		3A9316-01	1							
2	Condenser Fan Motor		3A6798-01	1							
3	Condenser Fan Blade		3A6799-01	1							
4	Condensate Pan		3A9478-01	1							
5	Drain Cup		3A9702-01	1							
6	Compressor External Protector		3A9475-01	1							
7	Start Relay		3A9476-01	1							
8	Run Capacitor	<b>UC/WT</b> 12MFD, 250VAC	3A9477-01								
9	Drier		4A5576-01	1							
10	Cabinet Thermistor		4A4864-01	1							
11	Evaporator		2A8513-01	1							
12	Evaporator Fan Motor		4A5343-01	1							
13	Capillary Tube Replacement Kit	L=1499mm	SP-5436	1							
14	Defrost Thermistor		4A4865-01	1							
15	Defrost Heater		3A6443-05	1							
16	Defrost Safety Thermostat		4A0954-02	1							
17	High-Pressure Switch		4A6039-01	1							

## B. Refrigeration Circuit

### UR36, WR36, and SR36 Undercounter, Worktop, and Prep Table

G-5 to K-5



For compressor or condenser replacement, order item 1.

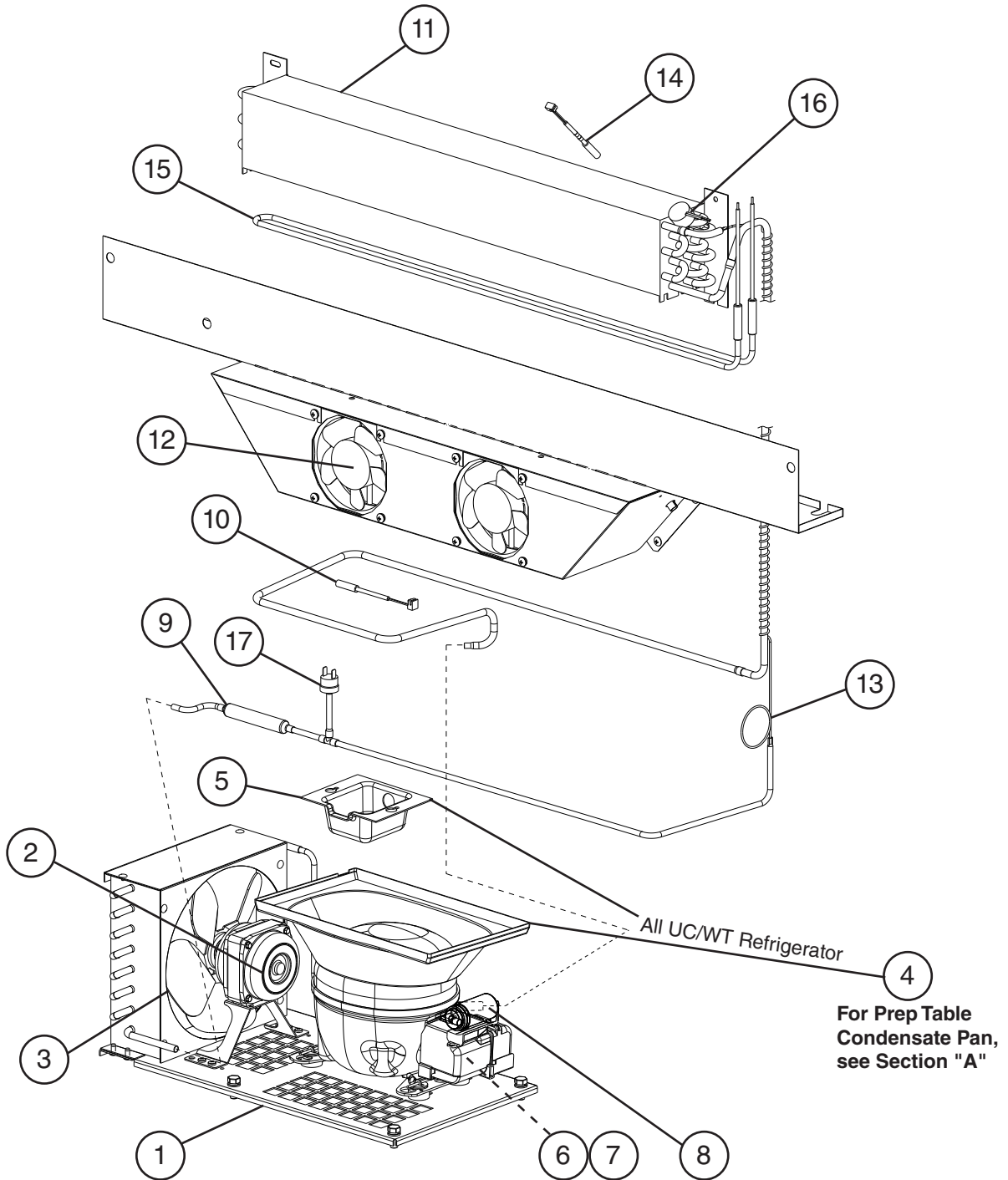


Title: B. Refrigeration Circuit Models: UR36, WR36, SR36 Undercounter, Worktop, Prep Table												
Index No.	Description	Material or Model Number	Part Number	Required Number								
				G-5 to K-5								
1	Condensing Unit (includes compressor, condenser, and items 2 through 8; compressor and condenser are not sold individually)	<b>UC/WT/Prep Table</b>	3A9520-01	1								
2	Condenser Fan Motor		3A6798-01	1								
3	Condenser Fan Blade		3A6799-01	1								
4	Condensate Pan		3A6758-01	1								
5	Drain Cup		3A9702-01	1								
6	Compressor External Protector		3A9522-01	1								
7	Start Relay		3A9523-01	1								
8	Start Capacitor	145-175MFD, 250VAC	3A9524-01	1								
9	Drier		4A5576-01	1								
10	Cabinet Thermistor		4A4864-01	1								
11	Evaporator		2A8513-01	1								
12	Evaporator Fan Motor		4A5343-01	1								
13	Capillary Tube (includes: capillary tube, drier, cover, insulation)	L=2438mm	SP-5438	1								
14	Defrost Thermistor	<b>Prep Table</b>	4A4865-01	1								
15	Defrost Heater	<b>Prep Table</b>	3A6443-05	1								
16	Defrost Safety Thermostat (thermodisc)	<b>Prep Table</b>	4A5853-01	1								
17	High-Pressure Switch		4A6039-01	1								

## B. Refrigeration Circuit

### UR48, WR48, and SR48 Undercounter, Worktop, and Prep Table

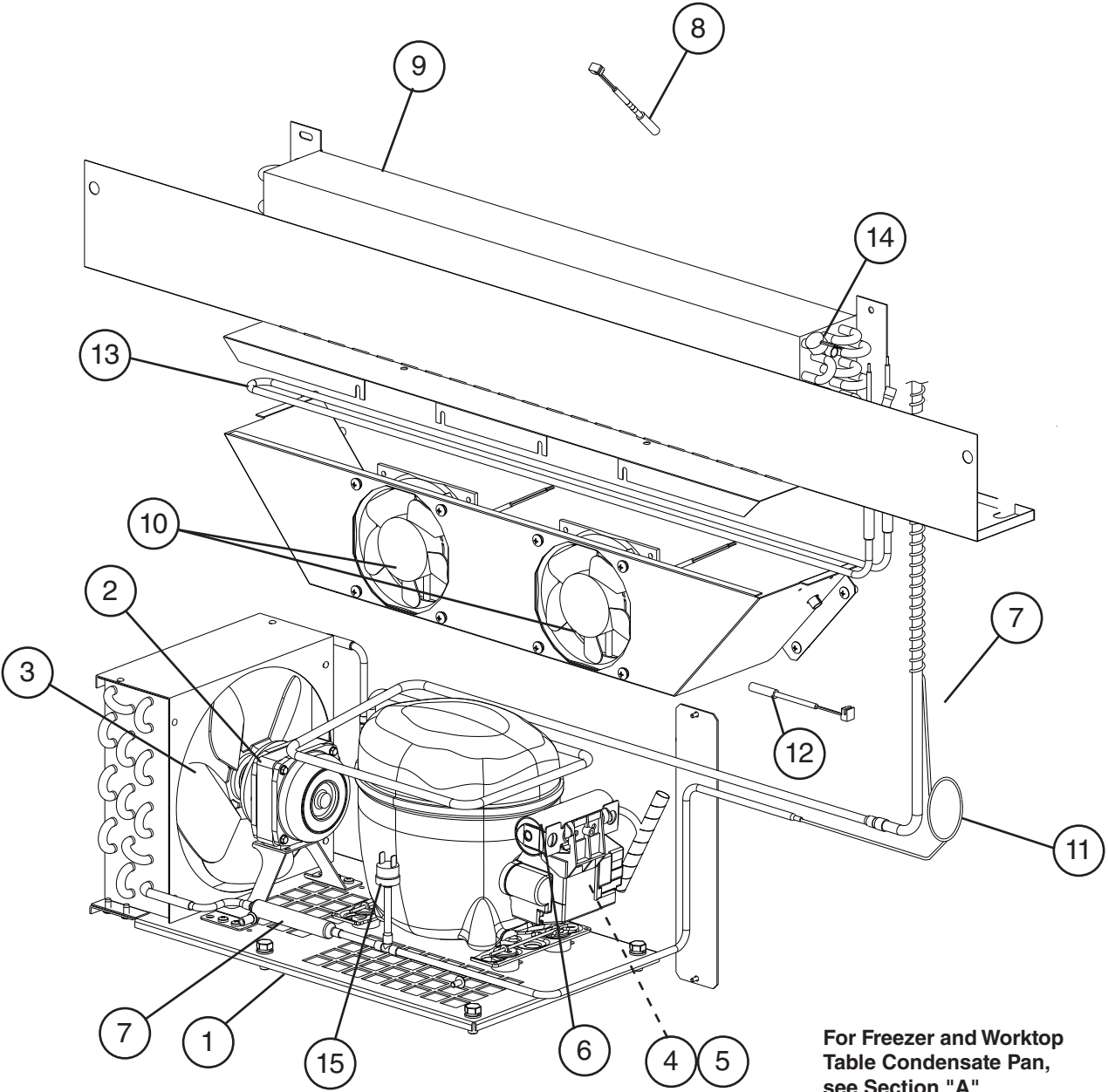
G-5 to K-5



For compressor or condenser replacement, order item 1.

Title: B. Refrigeration Circuit Models: UR48, WR48, and SR48 Undercounter, Worktop, and Prep Table												
Index No.	Description	Material or Model Number	Part Number	G-5 to K-5	Required Number							
1	Condensing Unit (includes compressor, condenser, and items 2 through 8; compressor and condenser are not sold individually)	UC/WT	3A9520-01	1								
		Prep Table	3A9316-01	1								
2	Condenser Fan Motor		3A6798-01	1								
3	Condenser Fan Blade		3A6799-01	1								
4	Condensate Pan	UC/WT	3A6758-01	1								
5	Drain Cup	Refrigerators	3A9702-01	1								
6	Compressor External Protector	UC/WT	3A9522-01	1								
		Prep Table	3A9475-01	1								
7	Start Relay	UC/WT	3A9523-01	1								
		Prep Table	3A9476-01	1								
8	Start Capacitor	UC/WT 145-175MFD, 250VAC	3A9524-01	1								
	Run Capacitor	Prep Table 12MFD, 250VAC	3A9477-01	1								
9	Drier		4A5576-01	1								
10	Cabinet Thermistor		4A4864-01	1								
11	Evaporator		2A8513-02	1								
12	Evaporator Fan Motor		4A5343-01	2								
13	Capillary Tube Replacement Kit	UC/WT L=2684mm	SP-5437	1								
		Prep Table L=3584mm	SP-5438	1								
14	Defrost Thermistor	Prep Table	4A4865-01	1								
15	Defrost Heater	Prep Table	3A6443-04	1								
16	Defrost Safety Thermostat	Prep Table	4A5853-01	1								
17	High-Pressure Switch		4A6039-01	1								

**B. Refrigeration Circuit**  
**UF48 and WF48 Undercounter and Worktop**  
 G-5 to K-5



For Freezer and Worktop  
 Table Condensate Pan,  
 see Section "A"

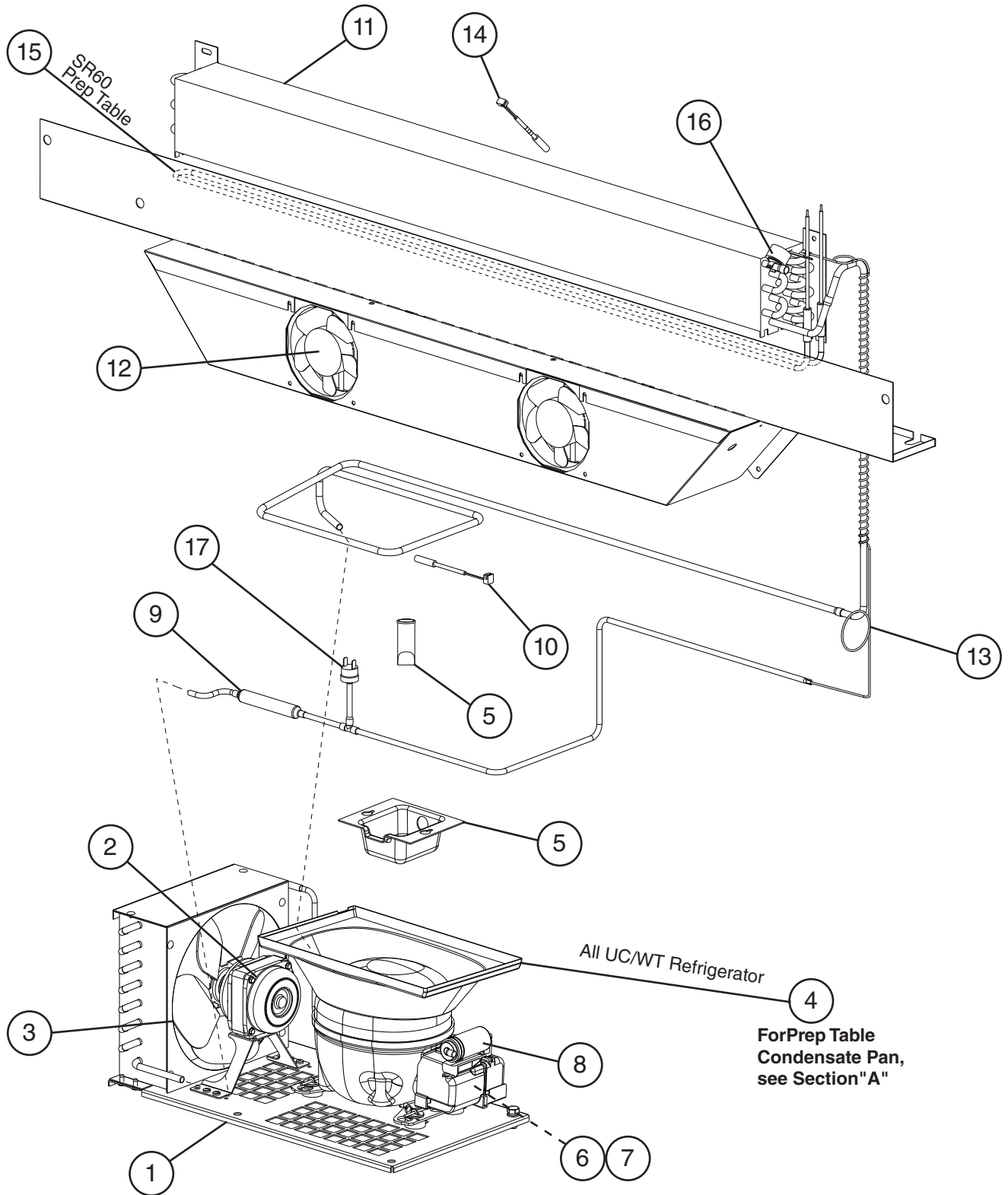
For compressor or condenser replacement, order item 1.

Title: B. Refrigeration Circuit    Models: UF48 and WF48 Undercounter and Worktop												
Index No.	Description	Material or Model Number	Part Number	G-5 to K-5	Required Number							
1	Condensing Unit (includes compressor, condenser, and items 2 through 6; compressor and condenser are not sold individually)		3A9313-01	1								
2	Condenser Fan Motor		3A6798-01	1								
3	Condenser Fan Blade		3A6799-01	1								
4	Compressor External Protector		3A6936-01	1								
5	Start Relay		3A6937-01	1								
6	Start Capacitor	378-454MFD, 115VAC	3A6938-01	1								
7	Drier		4A5576-01	1								
8	Cabinet Thermistor		4A4864-01	1								
9	Evaporator		2A8513-02	1								
10	Evaporator Fan Motor		4A5343-01	2								
11	Capillary Tube Replacement Kit	L=1829mm	SP-5435	1								
12	Defrost Thermistor		4A4865-01	1								
13	Defrost Heater		3A6443-04	1								
14	Defrost Safety Thermostat		4A5853-01	1								
15	High-Pressure Switch		4A6039-01	1								

## B. Refrigeration Circuit

### UR60, WR60, and SR60 Undercounter, Worktop, and Prep Table

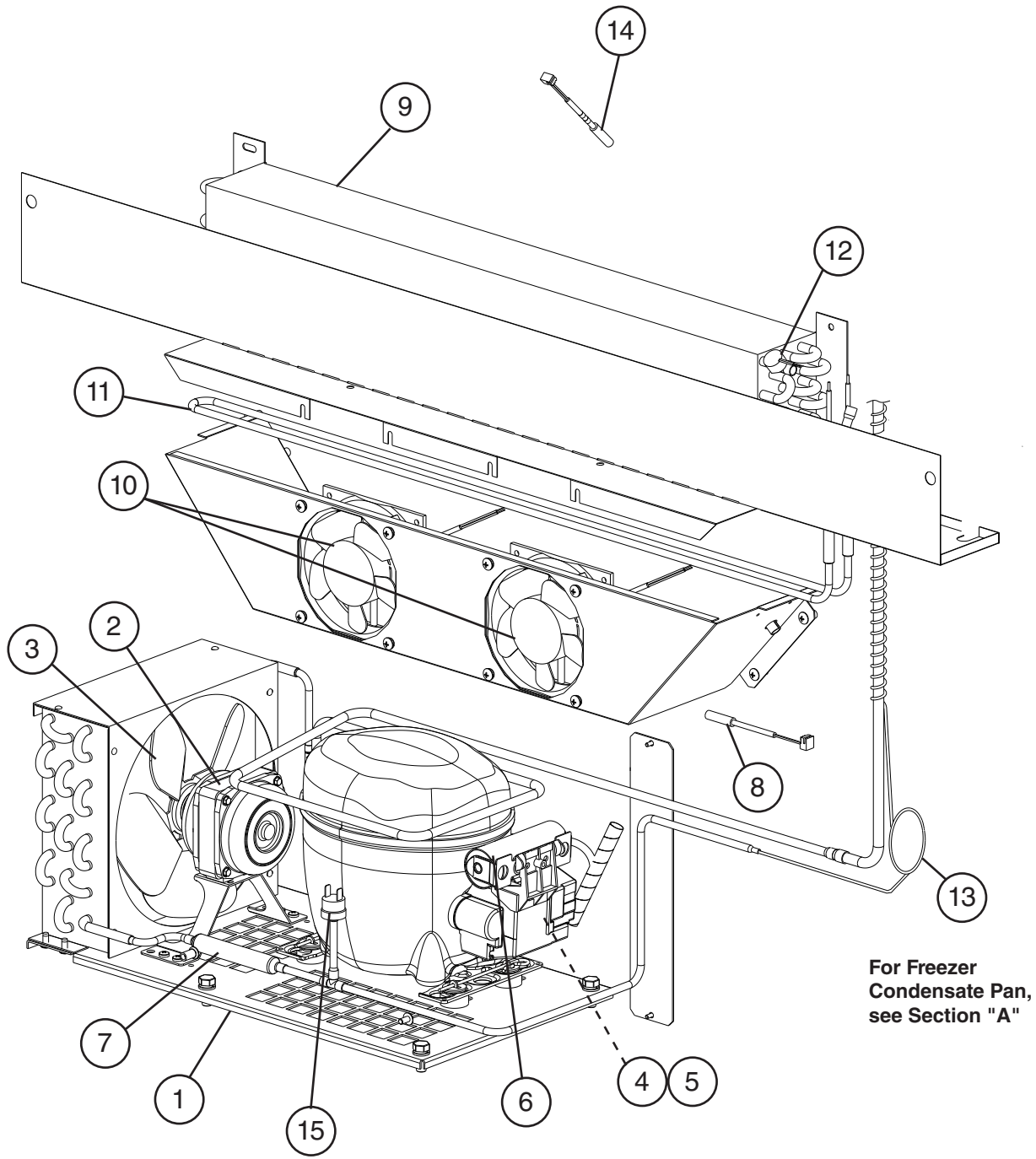
G-5 to K-5



For compressor or condenser replacement, order item 1.

Title: B. Refrigeration Circuit Models: UR60, WR60, and SR60 Undercounter, Worktop, and Prep Table											
Index No.	Description	Material or Model Number	Part Number	Required Number							
				G-5 to H-5 (K)	H-5 (L) to K-5						
1	Condensing Unit (includes compressor, condenser, and items 2 through 8; compressor and condenser are not sold individually)	UC/WT	3A9316-01	1	1						
		Prep Table	3A9313-01	1	1						
2	Condenser Fan Motor		3A6798-01	1	1						
3	Condenser Fan Blade		3A6799-01	1	1						
4	Condensate Pan	UC/WT	3A9478-01	1	1						
5	Duct Bill	UC/WT	SP-5345	1	-						
	Drain Cup		3A9702-01		1						
6	Compressor External Protector	UC/WT	3A9475-01	1	1						
		Prep Table	3A6936-01	1	1						
7	Start Relay	UC/WT	3A9476-01	1	1						
		Prep Table	3A6937-01	1	1						
8	Run Capacitor	UC/WT 12MFD, 250VAC	3A9477-01	1	1						
	Start Capacitor	Prep Table 378-454MFD, 115VAC	3A6938-01	1	1						
9	Drier		4A5576-01	1	1						
10	Cabinet Thermistor	UC/WT/Prep Table	4A4864-02	1	1						
11	Evaporator		2A8513-03	1	1						
12	Evaporator Fan Motor		4A5343-01	2	2						
13	Capillary Tube Replacement Kit	UC/WT/Prep Table L=2184mm	SP-5434	1	1						
14	Defrost Thermistor	Prep Table	4A4865-02	1	1						
15	Defrost Heater	Prep Table	3A6443-06	1	1						
16	Defrost Thermostat	Prep Table	4A5853-01	1	1						
17	High-Pressure Switch	Prep Table	4A6039-01	1	1						

**B. Refrigeration Circuit**  
**UF60 and WF60 Undercounter and Worktop**  
G-5 to K-5



For compressor or condenser replacement, order item 1.

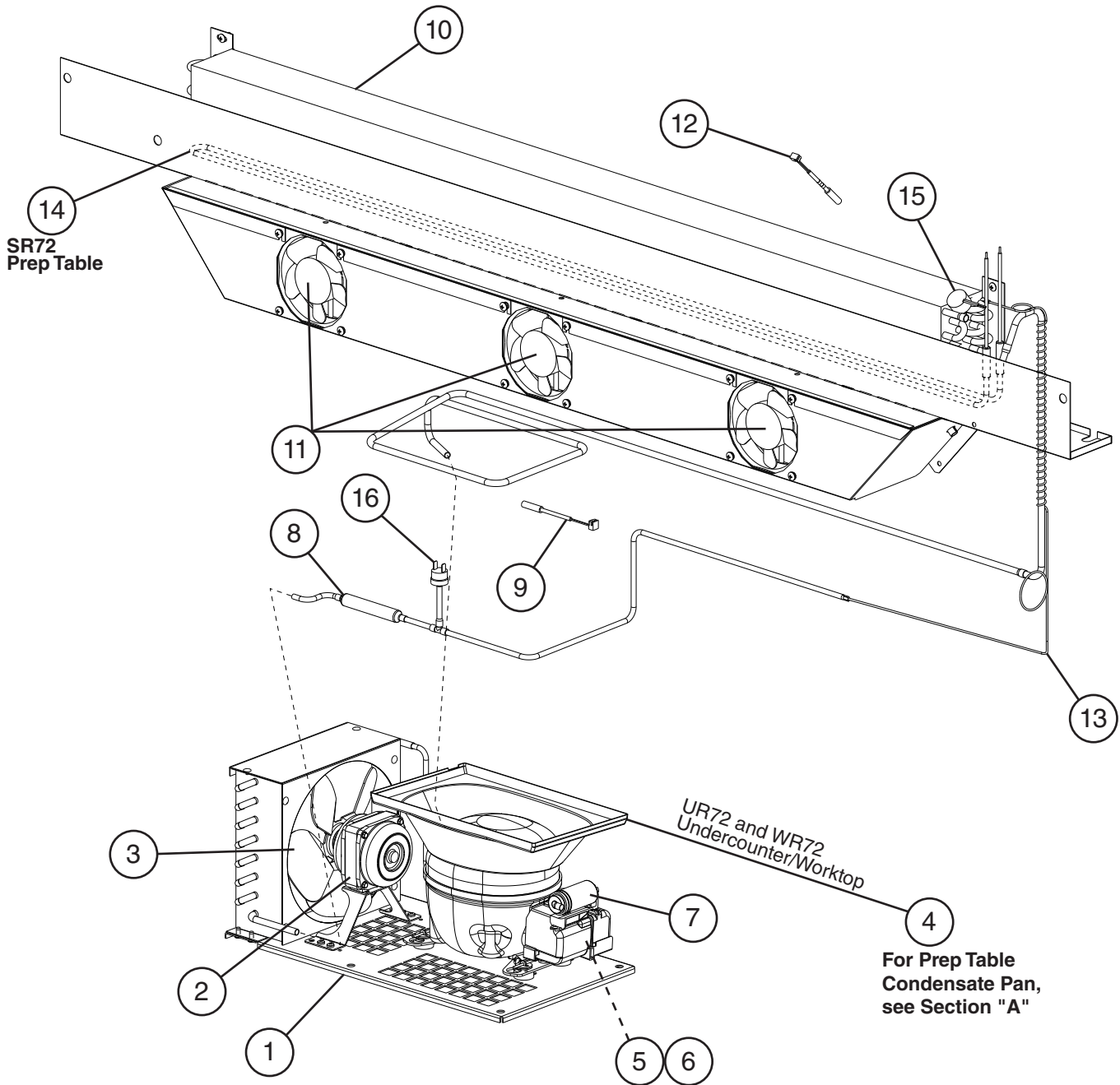


Title: B. Refrigeration Circuit    Models: UF60 and WF60 Undercounter and Worktop												
Index No.	Description	Material or Model Number	Part Number	G-5 to K-5	Required Number							
1	Condensing Unit (includes compressor, condenser, and items 2 through 6; compressor and condenser are not sold individually)		3A9313-01	1								
2	Condenser Fan Motor		3A6798-01	1								
3	Condenser Fan Blade		3A6799-01	1								
4	Compressor External Protector		3A6936-01	1								
5	Start Relay		3A6937-01	1								
6	Start Capacitor	378-454MFD, 115VAC	3A6938-01	1								
7	Drier		4A5576-01	1								
8	Cabinet Thermistor		4A4864-02	1								
9	Evaporator		2A8513-03	1								
10	Evaporator Fan Motor		4A5343-01	2								
11	Defrost Heater		3A6443-06	1								
12	Defrost Thermostat		4A5853-01	1								
13	Capillary Tube Replacement Kit	L=1829mm	SP-5435	1								
14	Defrost Thermistor		4A4865-02	1								
15	High-Pressure Switch		4A6039-01	1								

## B. Refrigeration Circuit

### UR72, WR72, and SR72 Undercounter, Worktop, Prep Table

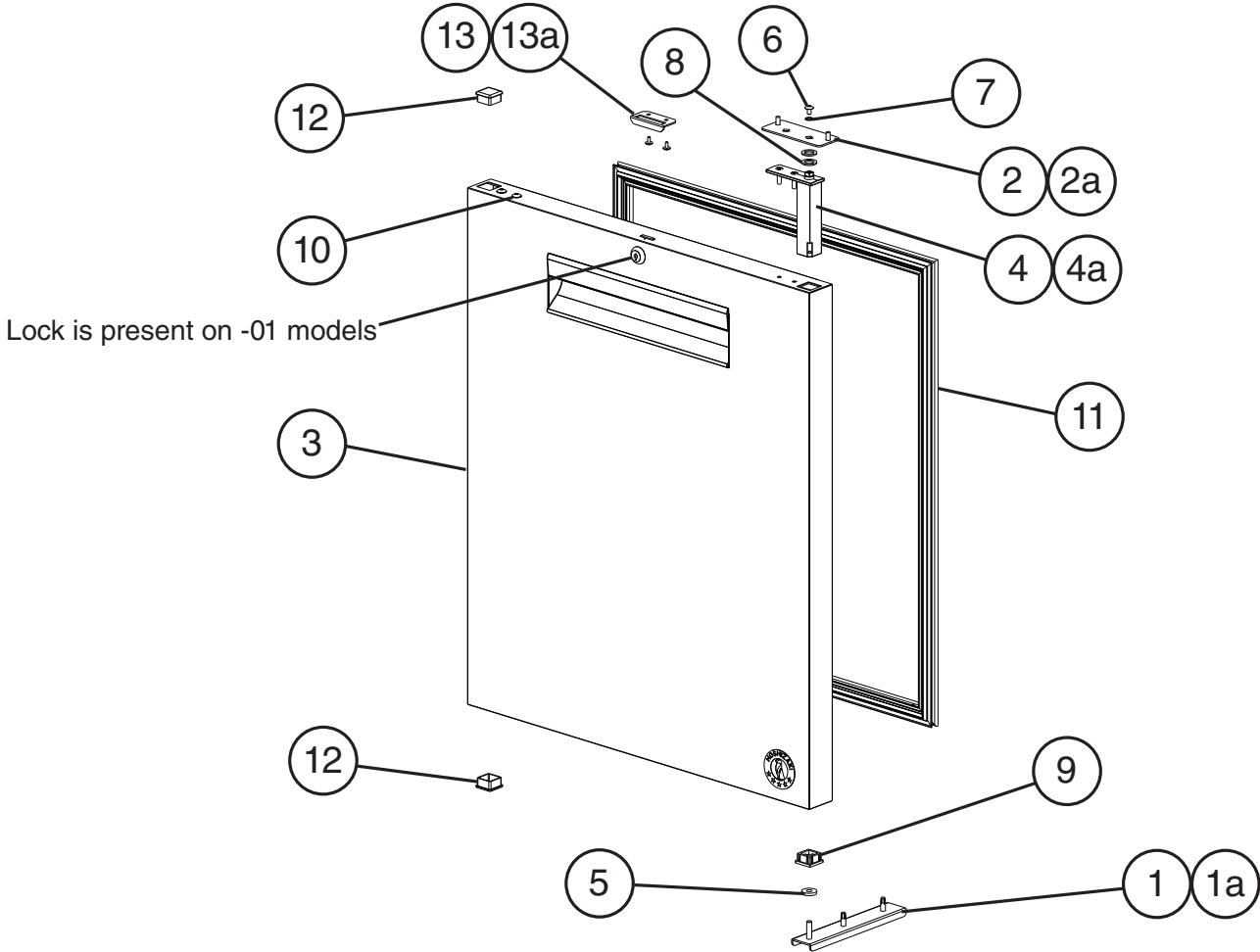
G-5 to K-5



For compressor or condenser replacement, order item 1.

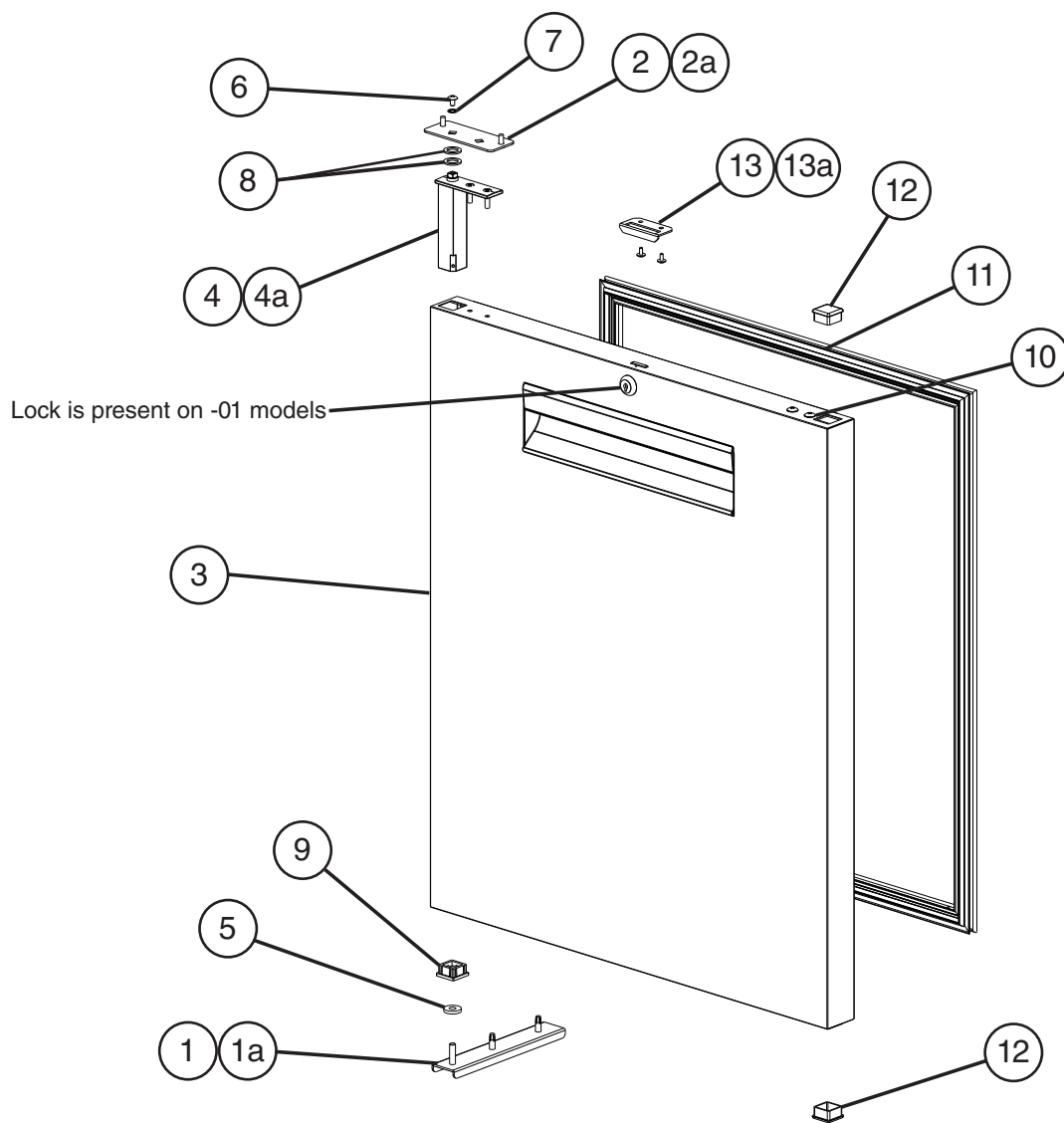
Title: B. Refrigeration Circuit Models: UR72, WR72, and SR72 Undercounter, Worktop, and Prep Table												
Index No.	Description	Material or Model Number	Part Number	G-5 to K-5	Required Number							
1	Condensing Unit (includes compressor, condenser, and items 2 through 7; compressor and condenser are not sold individually)	UC/WT	3A9316-01	1								
		Prep Table	3A9313-01	1								
2	Condenser Fan Motor		3A6798-01	1								
3	Condenser Fan Blade		3A6799-01	1								
4	Condensate Pan	UC/WT	3A9478-01	1								
5	Compressor External Protector	UC/WT	3A9475-01	1								
		Prep Table	3A6936-01	1								
6	Start Relay	UC/WT	3A9476-01	1								
		Prep Table	3A6937-01	1								
7	Run Capacitor	UC/WT 12MFD, 250VAC	3A9477-01	1								
	Start Capacitor	Prep Table 378-454MFD, 115VAC	3A6938-01	1								
8	Drier		4A5576-01	1								
9	Cabinet Thermistor	UC/WT/Prep Table	4A4864-02	1								
10	Evaporator		2A8513-04	1								
11	Evaporator Fan Motor		4A5343-01	3								
12	Capillary Tube Replacement Kit	UC/WT L=3584mm	SP-5437	1								
		Prep Table L=2184mm	SP-5434	1								
13	Defrost Thermister	Prep Table	4A4865-02	1								
14	Defrost Heater	Prep Table	3A6443-07	1								
15	Defrost Safety Thermostat	Prep Table	4A5853-01	1								
16	High-Pressure Switch	Prep Table	4A6039-01	1								

**C. Door-Right Hinged**  
**Undercounter, Worktop, Prep Table**  
G-5 to K-5



Title: C. Door-Right Hinged Models: Undercounter, Worktop, Prep Table											
Index No.	Description	Material or Model Number	Part Number	G-5 to K-5	Required Number						
1	Lower Hinge Bracket		3A6681G01	1							
1a	Hex Head Tapping Bolt	1/4-20x3/4	4A5213-01	2							
2	Upper Hinge Bracket		3A6810-01	1							
2a	Truss Head Screw	5x12, SS	7C32-0512	2							
3	Door Assembly without Locks (includes items 4 through 12)	<b>_R27A and _F27A, (All except -01, -LPW, and -GLP)</b>	2A7322G01	1							
		<b>UR27A-LPW</b>	2A8635G01	1							
		<b>_R36A, _R60A and _F60A UC/WT/Prep Table (All except -01)</b>	2A7328G01	1							
		<b>_R48A, _F48A, and _R72A UC/WT/Prep Table (All except -01)</b>	2A7324G01	1							
	Door Assembly with Locks (includes items 4 through 12)	<b>_R27A-01 and _F27A-01</b>	2A7323G01	1							
		<b>_R36A-01, _R60A-01, and _F60A-01</b>	2A8291G01	1							
<b>_R48A-01, _F48A-01 and _R72A-01</b>		2A7327G01	1								
4	Hinge Spring Cartridge (includes items 5 through 9)		3A9206-01	1							
4a	Countersunk Screw	5x20, SS	7C42-0520	2							
5	Thrust Washer		4A5234-01	1							
6	Screw		4A5230-01	1							
7	Lockwasher		4A5231-01	1							
8	Thrust Washer		4A5233-01	2							
9	Bearing		4A5232-01	1							
10	Truss Head Screw (filler screws)	5x10, SS	7C32-0510	2							
11	Gasket	<b>_R27A and _F27A, UC/WT/Prep Table</b>	2A6996-05	1							
		<b>_R36A, _R60A, and _F60A UC/WT/Prep Table</b>	2A6996-09	1							
		<b>_R48A, _F48A, and _R72A UC/WT/Prep Table</b>	2A6996-06	1							
12	End Cap		4A5432-01	2							
13	Strike Plate for Doors with Locks	<b>-01 UC/WT</b>	4A5493-01	1							
13a	T2 Screw	<b>-01 UC/WT 4x8, SS</b>	7P32-0408	2							

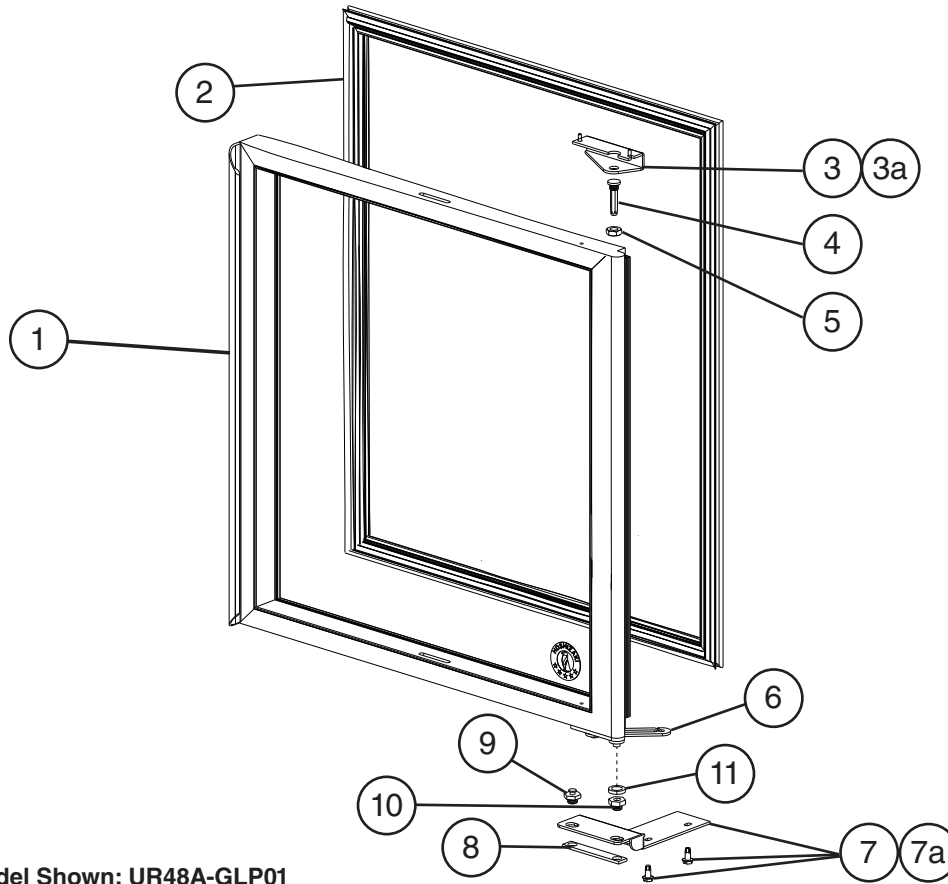
# D. Door-Left Hinged Undercounter, Worktop, Prep Table G-5 to K-5



Title: D. Door-Left Hinged Models: Undercounter, Worktop, Prep Table											
Index No.	Description	Material or Model Number	Part Number	G-5 to K-5	Required Number						
1	Lower Hinge Bracket		3A6681G01	1							
1a	Hex Head Tapping Bolt	1/4-20x3/4	4A5213-01	2							
2	Upper Hinge Bracket		3A6810-01	1							
2a	Truss Head Screw	5x12, SS	7C32-0512	2							
3	Door Assembly without Locks (includes items 4 through 12)	<b>_R48A, _F48A, and _R72A UC/WT/Prep Table (All except -01)</b>	2A7325G01	1							
		<b>_R60 and _F60A UC/WT/Prep Table (All except -01)</b>	2A7329G01	1							
	Door Assembly with Locks (includes items 4 through 12)	<b>_R60A-01 and _F60A-01</b>	2A8293G01	1							
		<b>_R48A-01, _F48A-01, and _R72A-01</b>	2A7326G01	1							
4	Hinge Spring Cartridge (includes items 5 through 9)		3A9206-01	1							
4a	Countersunk Screw	5x20, SS	7C42-0520	2							
5	Thrust Washer		4A5234-01	1							
6	Screw		4A5230-01	1							
7	Lockwasher		4A5231-01	1							
8	Thrust Washer		4A5233-01	2							
9	Bearing		4A5232-01	1							
10	Truss Head Screw (filler screws)	5x10, SS	7C32-0510	2							
11	Gasket	<b>_R48A, _F48A, and _R72A UC/WT/Prep Table</b>	2A6996-06	1							
		<b>_F60A UC/WT/Prep Table</b>	2A6996-09	1							
12	End Cap		4A5432-01	2							
13	Strike Plate for Doors with Locks	<b>-01 UC/WT</b>	4A5493-01	1							
13a	T2 Screw	<b>-01 UC/WT</b> 4x8, SS	7P32-0408	2							

## E. Door-Right Glass Door Hinged Undercounter, Worktop, Prep Table

G-5 to K-5

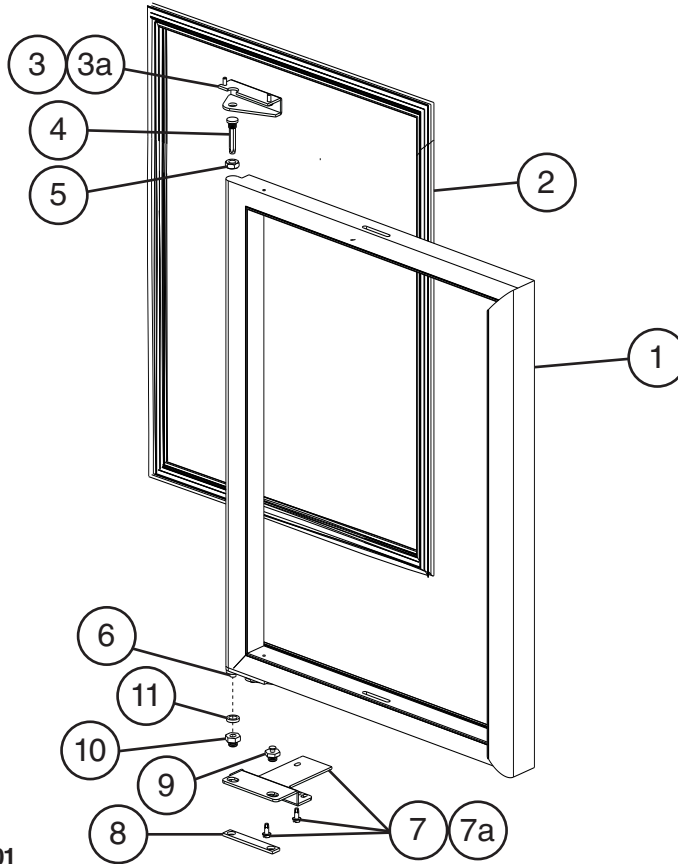


Model Shown: UR48A-GLP01

Title: E. Door-Right Glass Door Hinged Models: Undercounter, Worktop, Prep Table					Required Number								
Index No.	Description	Material or Model Number	Part Number	G-5 to K-5									
1	Door (includes gasket and hinge arm)	<b>UR27A-GLP01</b>	2A8853-03	1									
		<b>UF27A-GLP01</b>	2A8853-04	1									
		<b>UR48A-GLP01 Right Side Hinged Door</b>	2A8852-03	1									
2	Gasket	<b>U_27A-GLP01</b>	4A6448-01	1									
		<b>UR48A-GLP01</b>	4A6449-01	1									
3	Upper Hinge		3A9346-02	1									
3a	Truss Head Screw	5x12, SS	7C32-0512	2									
4	Hinge Pin		3A7946-04	1									
5	Hinge Pin Locknut		3A7946-05	1									
6	Hinge Arm		3A7946-01	1									
7	Lower Hinge		3A9342-01	1									
7a	Hex Head Tapping Bolt	1/4-20x3/4	4A5213-01	2									
8	Backer Plate		3A7946-08	1									
9	Slide Pin		3A7946-11	1									
10	Hinge Bushing		3A7946-09	1									
11	Nylon Washer		3A7946-10	1									



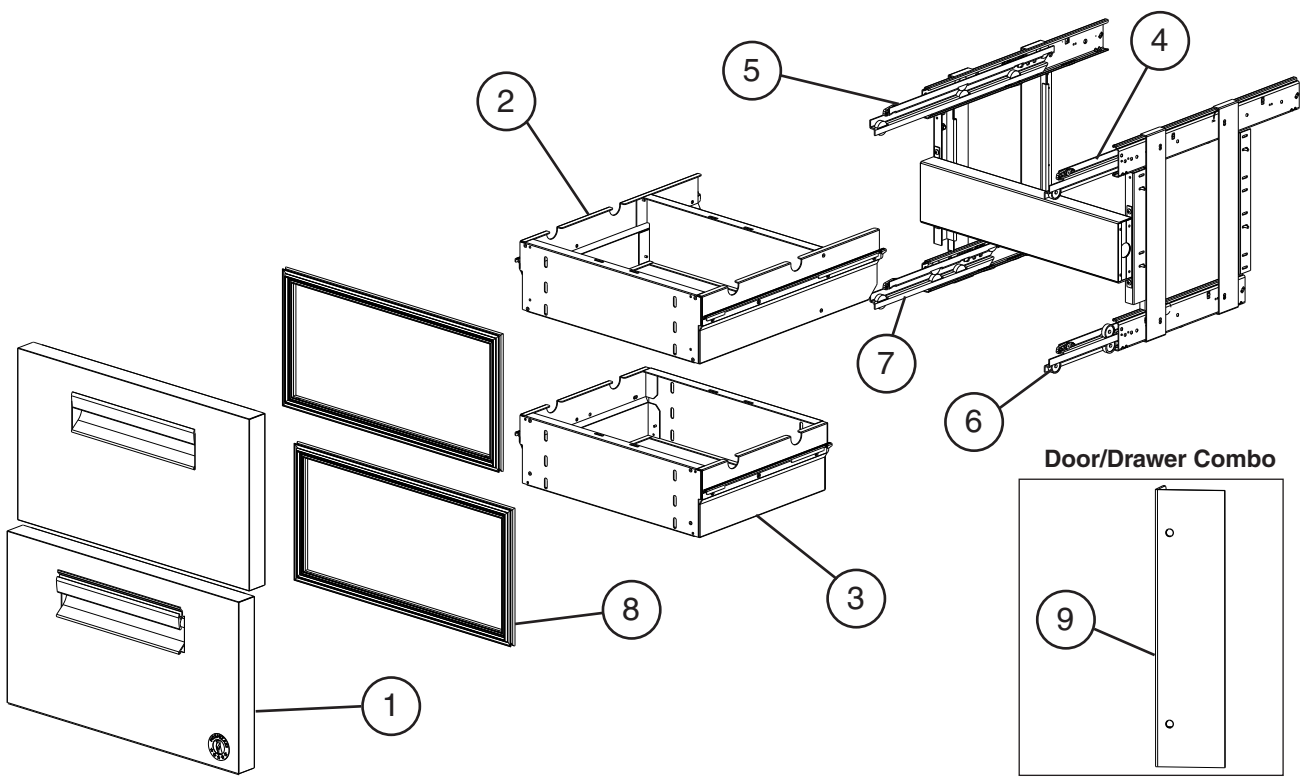
**F. Door-Left Glass Door Hinged**  
**Undercounter, Worktop, Prep Table**  
 G-5 to K-5



Model Shown: UR48A-GLP01

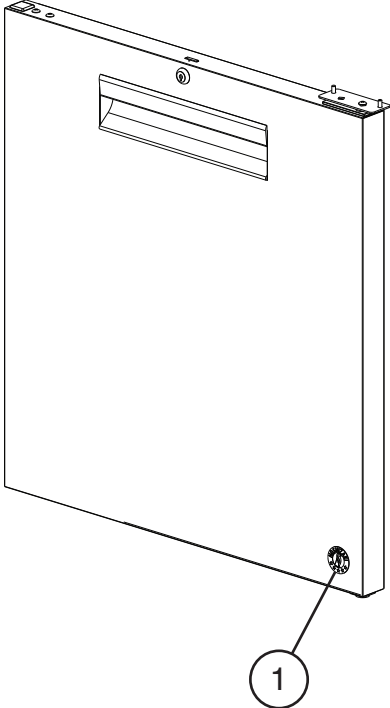
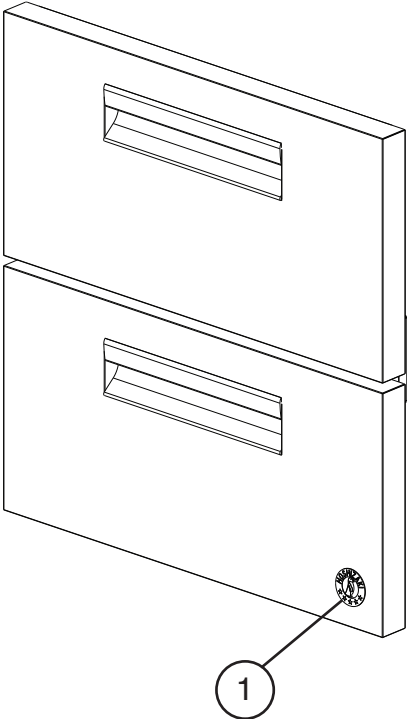
Title: F. Door-Left Glass Door Hinged Models: Undercounter, Worktop, Prep Table										
Index No.	Description	Material or Model Number	Part Number	Required Number						
				G-5 to K-5						
1	Door (includes gasket and hinge arm)	<b>UR48A-GLP01 Left Side Hinged Door</b>	2A8852-01	1						
2	Gasket	<b>UR48A-GLP01</b>	4A6449-01	1						
3	Upper Hinge		3A9346-01	1						
3a	Truss Head Screw	5x12, SS	7C32-0512	2						
4	Hinge Pin		3A7946-04	1						
5	Hinge Pin Locknut		3A7946-05	1						
6	Hinge Arm		3A7946-01	1						
7	Lower Hinge		3A9342-02	1						
7a	Hex Head Tapping Bolt	1/4-20x3/4	4A5213-01	2						
8	Backer Plate		3A7946-08	1						
9	Slide Pin		3A7946-11	1						
10	Hinge Bushing		3A7946-09	1						
11	Nylon Washer		3A7946-10	1						

**G. Drawer**  
**Undercounter, Worktop, Prep Table (-D)(-D2)(-D4)(-D6)**  
G-5 to K-5



Title: G. Drawer Models: Undercounter, Worktop, Prep Table												
Index No.	Description	Material or Model Number	Part Number	Required Number								
				G-5 to K-5								
1	Drawer Face	<b>_R27A-xx(M(D2)), and _F27A-D2 UC/WT/Prep Table</b>	2A7510G01	2								
		<b>_R48A-xx(M(Dx)), _F48A-D4, and _R72A-xx(M(Dx)) UC/WT/Prep Table</b>	2A7511G01	2								
		<b>_R60A-xx(M(Dx)) UC/WT/Prep Table</b>	2A7512G01	2								
2	Upper Drawer Box	<b>_R27A-xx(M(D2)), and _F27A-D2 UC/WT/Prep Table</b>	3A9501G01	1								
		<b>_R48A-xx(M(Dx)), _F48A-D4, and _R72A-xx(M(Dx)) UC/WT/Prep Table</b>	3A9500G01	1								
		<b>_R60A-xx(M(Dx)) UC/WT/Prep Table</b>	3A9502G01	1								
3	Lower Drawer Box	<b>_R27A-xx(M(D2)), and _F27A-D2 UC/WT/Prep Table</b>	3A8185G01	1								
		<b>_R48A-xx(M(Dx)), _F48A-D4, and _R72A-xx(M(Dx)) UC/WT/Prep Table</b>	3A8191G01	1								
		<b>_R60A-xx(M(Dx)) UC/WT/Prep Table</b>	3A8294G01	1								
4	Upper Right Slide Roller		4A6146-02	1								
5	Upper Left Slide Roller		4A6147-02	1								
6	Lower Right Slide Roller		4A5663-02	1								
7	Lower Left Slide Roller		4A5664-02	1								
8	Gasket	<b>_R27A-xx(M(D2)), and _F27A-D2 UC/WT/Prep Table</b>	2A5192-15	2								
		<b>_R48A-xx(M(Dx)), _F48A-D4, and _R72A-xx(M(Dx)) UC/WT/Prep Table</b>	2A5192-17	2								
		<b>_R60A-xx(M(Dx)) UC/WT/Prep Table</b>	2A5192-16	2								
9	Vertical Mullion Bracket	<b>Door/Drawer Combo</b>	3A8187-01	1								

**H. Accessories & Labels**  
**Undercounter, Worktop, Prep Table**  
G-5 to K-5



<b>Title: H. Accessories &amp; Labels</b>		<b>Models: Undercounter, Worktop, Prep Table</b>												
Index No.	Description	Material or Model Number	Part Number	G-5 to K-5	Required Number									
1	Penguin Label		475552L01	1										
2	4" Caster Kit (includes items 3 and 4)	<b>HS-5035 UC</b>	4A5434A01	1										
	2" Caster Kit (includes items 3, 4, and 4a)	<b>HS-5037 UC Low Profile</b>	4A5436A01	1										
	6" Caster Kit (includes items 3 and 4)	<b>HS-5036 WT/Prep Table</b>	4A5435A01	1										
3	4" Non-Locking Caster	<b>UC</b>	4A5427-01	2										
	2" Non-Locking Caster	<b>UC Low Profile</b>	4A5429-01	2										
	6" Non-Locking Caster	<b>WT/Prep Table</b>	4A5428-01	2										
4	4" Locking Caster	<b>UC</b>	4A5427-02	2										
	2" Locking Caster	<b>UC Low Profile</b>	4A5429-02	2										
	6" Locking Caster	<b>WT/Prep Table</b>	4A5428-02	2										
4a	Wrench	<b>UC Low Profile</b>	4A5492-01	1										
4b	Caster Bracket	<b>_R48A-(xxxxx) and _F48A-(xxxxx) UC/WT/Prep Table</b>	3A9099-01	2										
<b>Prep Table Specific Parts</b>														
5	1/6 Size Pan, 4" Depth	<b>-8</b>	1000000344	8										
		<b>-10</b>		10										
		<b>-16</b>		16										
		<b>-15M</b>		15										
		<b>-12, -12M, -12D(x)</b>		12										
		<b>-18, -18M, 18MD(x)</b>		18										
		<b>-24M, -24MD2</b>		24										
		<b>-30M, -30MD(x)</b>		30										
6	Cutting Board	<b>SR27A-8(Dx) and SR27A-12(M(Dx))</b>	3A4894-09	1										
		<b>SR36A-10(-15M)</b>	3A4894-15	1										
		<b>SR48A-xx(M(Dx))</b>	3A4894-10	1										
		<b>SR60A-xx(M(Dx))</b>	3A4894-13	1										
		<b>SR72A-xx(M(Dx))</b>	3A4894-14	1										