



# HOSHIZAKI

---

## Parts List

### Counter Showcase

#### Model

HNC-120BA-L/R-SLH

HNC-150BA-L/R-SLH

HNC-180BA-L/R-SLH

HNC-210BA-L/R-SLH



[hoshizakiamerica.com](http://hoshizakiamerica.com)

Number: S109-4678  
Issued: 12-2018

## Auxiliary Codes

|                   |     |              |
|-------------------|-----|--------------|
| HNC-120BA-L/R-SLH | J-1 | January 2019 |
| HNC-150BA-L/R-SLH | J-1 | January 2019 |
| HNC-180BA-L/R-SLH | J-1 | January 2019 |
| HNC-210BA-L/R-SLH | J-1 | January 2019 |

## AUXILIARY CODE

The auxiliary code is the first two characters in the serial number. The first character indicates the year. Years progress or regress in alphabetical order. The series runs from "A" through "V" and the letters "I" and "O" are skipped. The second character indicates significant part changes within a year. Base is "0" and this number advances for each change. In cases where there is a letter in parentheses, this designates the month. This is the last character in the serial number. The series runs from "(A)" through "(M)" and the letter "(I)" is skipped. This designation is only included when identifying a parts change within an auxiliary code.

### Note About Ordering Parts

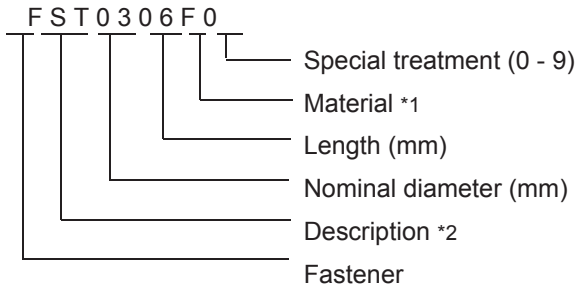
Most assemblies cannot be ordered as complete units; parts in the assemblies generally must be ordered separately.

## MARKS LOCATED UNDER THE AUXILIARY CODE

- = Part deleted.

## FASTENER PART NUMBER

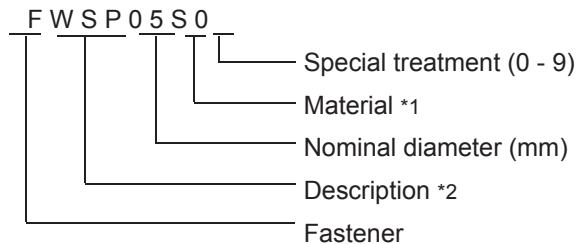
### SCREWS



\*1

F: Steel  
S: Austenitic stainless steel  
M: Martensitic stainless steel  
B: Copper alloy  
P: Polycarbonate  
N: Polyamide  
V: PVC  
A: ABS  
X: Polyacetal  
L: Aluminum

### NUTS & WASHERS



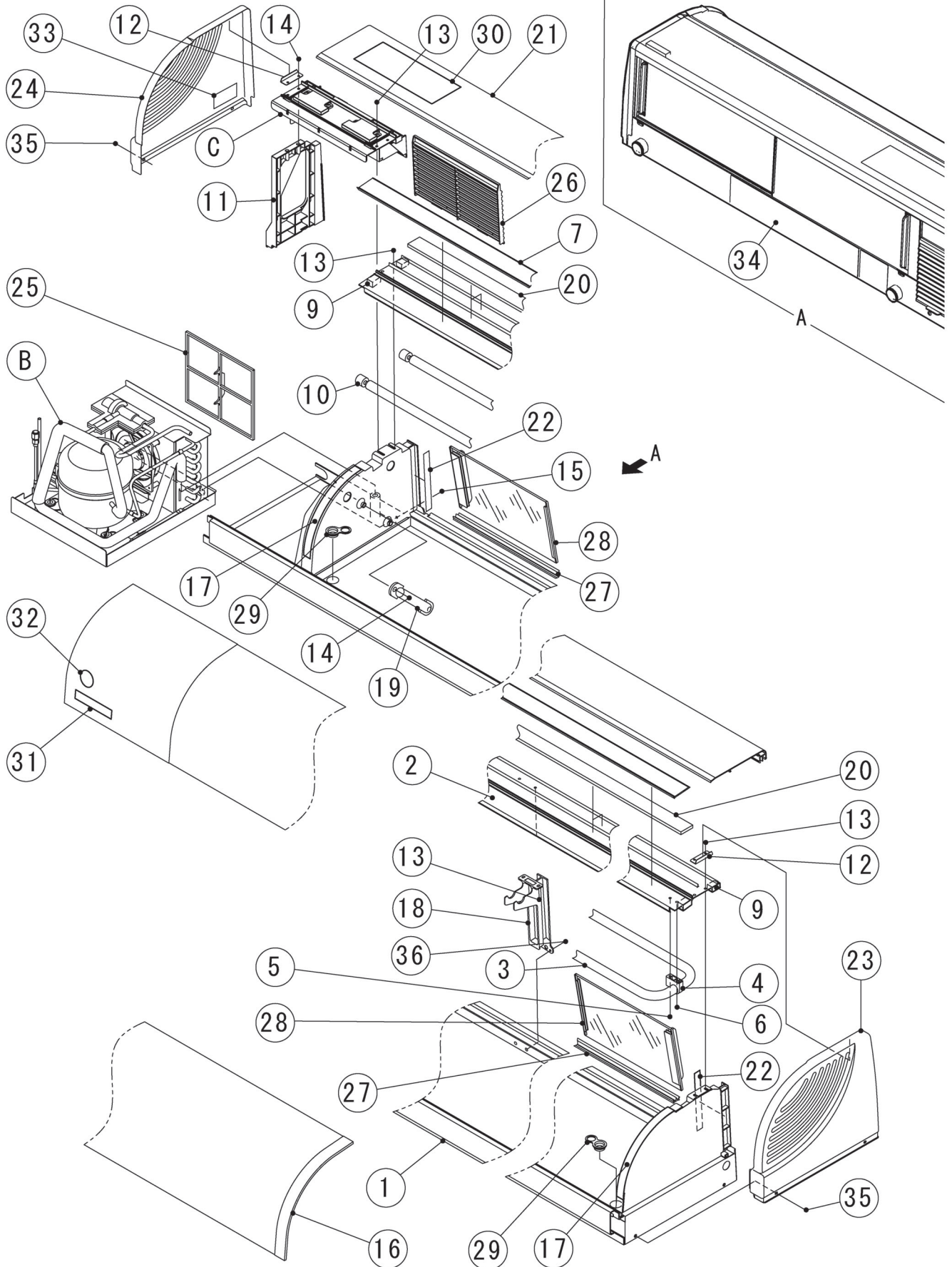
\*2

First letter  
S: Machine screw  
T: Tapping screw  
M: Wood screw  
B: Bolt  
W: Washer  
N: Nut

HNC-120BA-L/R-SLH  
HNC-150BA-L/R-SLH  
HNC-180BA-L/R-SLH  
HNC-210BA-L/R-SLH

A. COUNTER SHOWCASE ASSY

(J-1) and later



HA

| MODEL: HNC-120BA-L/R-SLH<br>HNC-150BA-L/R-SLH<br>HNC-180BA-L/R-SLH<br>HNC-210BA-L/R-SLH |                      | TITLE:A.GENERAL AY          |             |              |  |  |  |  |
|---|----------------------|-----------------------------|-------------|--------------|--|--|--|--|
| INDEX NO.   | DESCRIPTION          | MATERIAL OR MODEL NUMBER    | PART NUMBER | REQ'D NUMBER |  |  |  |  |
|   |                      |                             |             | J-1          |  |  |  |  |
| B   | REFRIGERATION AY - L | (120)(150)                  | 1H6158A01   | 1            |  |  |  |  |
|   |                      | (180)(210)                  | 1H6158A02   | 1            |  |  |  |  |
|   | REFRIGERATION AY - R | (120)(150)                  | 1H6159A01   | 1            |  |  |  |  |
|   |                      | (180)(210)                  | 1H6159A02   | 1            |  |  |  |  |
| C   | ELB BRACKET AY - L   | (L)                         | 2X3756A01   | 1            |  |  |  |  |
|   | ELB BRACKET AY - R   | (R)                         | 2X3757A01   | 1            |  |  |  |  |
| D   | ACCESSORIES          | (120)                       | A03680-01   | 1            |  |  |  |  |
|   |                      | (150)                       | A03681-01   | 1            |  |  |  |  |
|   |                      | (180)                       | A03682-01   | 1            |  |  |  |  |
|   |                      | (210)                       | A03683-01   | 1            |  |  |  |  |
| 1   | BASE AY - 12L        | (120BA-L)                   | 1H5879G01   | 1            |  |  |  |  |
|   | BASE AY - 12R        | (120BA-R)                   | 1H5880G01   | 1            |  |  |  |  |
|   | BASE AY - 15L        | (150BA-L)                   | 1H5881G01   | 1            |  |  |  |  |
|   | BASE AY - 15R        | (150BA-R)                   | 1H5882G01   | 1            |  |  |  |  |
|   | BASE AY - 18L        | (180BA-L)                   | 1H5883G01   | 1            |  |  |  |  |
|   | BASE AY - 18R        | (180BA-R)                   | 1H5884G01   | 1            |  |  |  |  |
|   | BASE AY - 21L        | (210BA-L)                   | 1H5885G01   | 1            |  |  |  |  |
|   | BASE AY - 21R        | (210BA-R)                   | 1H5886G01   | 1            |  |  |  |  |
| 2   | TOP FRAME (L) - 12   | (120BA-L)<br>(includes LED) | 3Z1331G01   | 1            |  |  |  |  |
|   | TOP FRAME (R) - 12   | (120BA-R)<br>(includes LED) | 3Z1332G01   | 1            |  |  |  |  |
|   | TOP FRAME (L) - 15   | (150BA-L)<br>(includes LED) | 3Z1333G01   | 1            |  |  |  |  |
|   | TOP FRAME (R) - 15   | (150BA-R)<br>(includes LED) | 3Z1334G01   | 1            |  |  |  |  |
|   | TOP FRAME (L) - 18   | (180BA-L)<br>(includes LED) | 3Z1335G01   | 1            |  |  |  |  |
|   | TOP FRAME (R) - 18   | (180BA-R)<br>(includes LED) | 3Z1336G01   | 1            |  |  |  |  |
|   | TOP FRAME (L) - 21   | (210BA-L)<br>(includes LED) | 3Z1337G01   | 1            |  |  |  |  |
|   | TOP FRAME (R) - 21   | (210BA-R)<br>(includes LED) | 3Z1338G01   | 1            |  |  |  |  |
| 3   | PIPE UP/EVAP12       | (120)                       | P02942-02   | 1            |  |  |  |  |
|   | PIPE UP/EVAP15       | (150)                       | P02942-03   | 1            |  |  |  |  |
|   | PIPE UP/EVAP18       | (180)                       | P02942-04   | 1            |  |  |  |  |
|   | PIPE UP/EVAP21       | (210)                       | P02942-05   | 1            |  |  |  |  |

HA

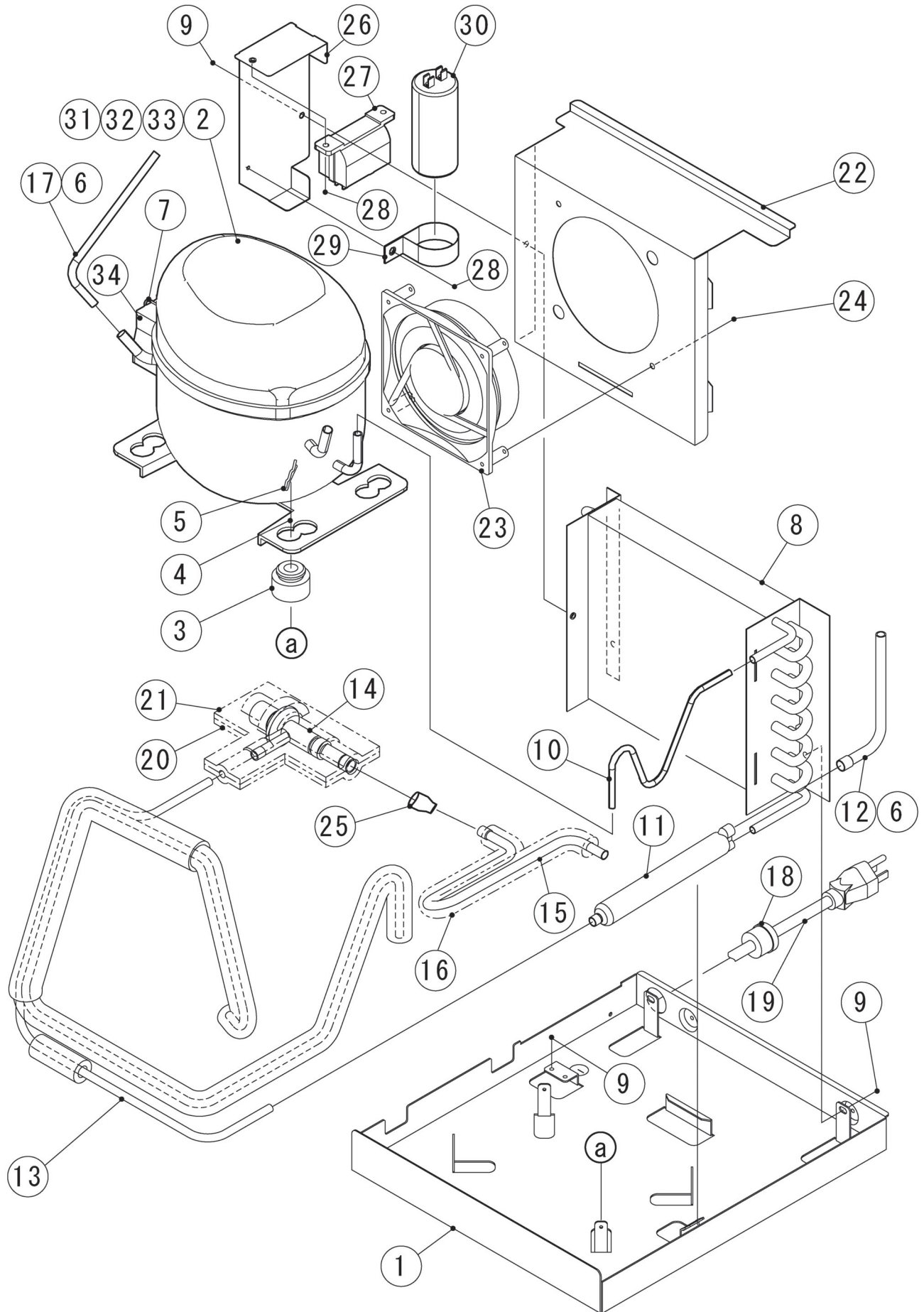
| MODEL: HNC-120BA-L/R-SLH<br>HNC-150BA-L/R-SLH<br>HNC-180BA-L/R-SLH<br>HNC-210BA-L/R-SLH |                             | TITLE:A.GENERAL AY       |             |              |  |  |  |  |
|---|-----------------------------|--------------------------|-------------|--------------|--|--|--|--|
| INDEX NO.   | DESCRIPTION                 | MATERIAL OR MODEL NUMBER | PART NUMBER | REQ'D NUMBER |  |  |  |  |
|   |                             |                          |             | J-1          |  |  |  |  |
| 4   | HOLDER ASSY                 |                          | 4R2804A01   | 1            |  |  |  |  |
| 5   | TRUSS HEAD TAPPING SCREW T2 |                          | FT20430M0   | 1            |  |  |  |  |
| 6   | TRUSS HEAD TAPPING SCREW T2 |                          | FT20410M0   | 1            |  |  |  |  |
| 7   | TOP GASKET - 12             | (120)                    | 3S1630P01   | 1            |  |  |  |  |
|   | TOP GASKET - 15             | (150)                    | 3S1630P02   | 1            |  |  |  |  |
|   | TOP GASKET - 18             | (180)                    | 3S1630P03   | 1            |  |  |  |  |
|   | TOP GASKET - 21             | (210)                    | 3S1630P04   | 1            |  |  |  |  |
| 9   | INSULATION - TOP FRAME      |                          | 4R5131P01   | 4            |  |  |  |  |
| 10  | SEAL C/EVAP                 |                          | 4R2368Z04   | 2            |  |  |  |  |
| 11  | SIDE FRAME (L)              | (L)                      | 2R4504P02   | 1            |  |  |  |  |
|   | SIDE FRAME (R)              | (R)                      | 2R4504P01   | 1            |  |  |  |  |
| 12  | HOOK                        |                          | 4R5121M01   | 2            |  |  |  |  |
| 13  | TRUSS HEAD TAPPING SCREW T2 | (120)                    | FT20410M0   | 6            |  |  |  |  |
|   |                             | (150,180,210)            | FT20410M0   | 8            |  |  |  |  |
| 14  | TRUSS HEAD TAPPING SCREW T1 |                          | FT10416M0   | 4            |  |  |  |  |
| 15  | TAPPING SCREW-BLACK         |                          | 433954-01   | 2            |  |  |  |  |
| 16  | FRONT GLASS - 12            | (120)                    | P01641-02   | 1            |  |  |  |  |
|   | FRONT GLASS - 15            | (150)                    | P01641-03   | 1            |  |  |  |  |
|   | FRONT GLASS - 18            | (180)                    | P01641-04   | 1            |  |  |  |  |
|   | FRONT GLASS - 21            | (210)                    | P01641-05   | 1            |  |  |  |  |
| 17  | SOFT SEAL (A)               |                          | 4R5133P01   | 2            |  |  |  |  |
| 18  | CENTER FRAME AY             | (150,180,210)            | 2R4566G01   | 1            |  |  |  |  |
| 19  | THERMOMETER                 |                          | 461083-01   | 1            |  |  |  |  |
| 20  | INSULATION (B)              | (120)                    | 4R5132P02   | 2            |  |  |  |  |
|   | INSULATION (C)              | (150)                    | 4R5132P03   | 2            |  |  |  |  |
|   | INSULATION (D)              | (180)                    | 4R5132P04   | 4            |  |  |  |  |
|   | INSULATION (E)              | (210)                    | 4R5132P05   | 4            |  |  |  |  |
| 21  | SUS TOP COVER - 12          | (120)                    | 2R4597G01   | 1            |  |  |  |  |
|   | SUS TOP COVER - 15          | (150)                    | 2R4578G01   | 1            |  |  |  |  |
|   | SUS TOP COVER - 18          | (180)                    | 2R4587G01   | 1            |  |  |  |  |
|   | SUS TOP COVER - 21          | (210)                    | 2R4565G01   | 1            |  |  |  |  |
| 22  | CUSHION-SIDE PANEL          |                          | 4R5123R01   | 2            |  |  |  |  |



HNC-120BA-L/R-SLH  
HNC-150BA-L/R-SLH  
HNC-180BA-L/R-SLH  
HNC-210BA-L/R-SLH

B. REFRIGERATION AY

(J-1) and later





HA

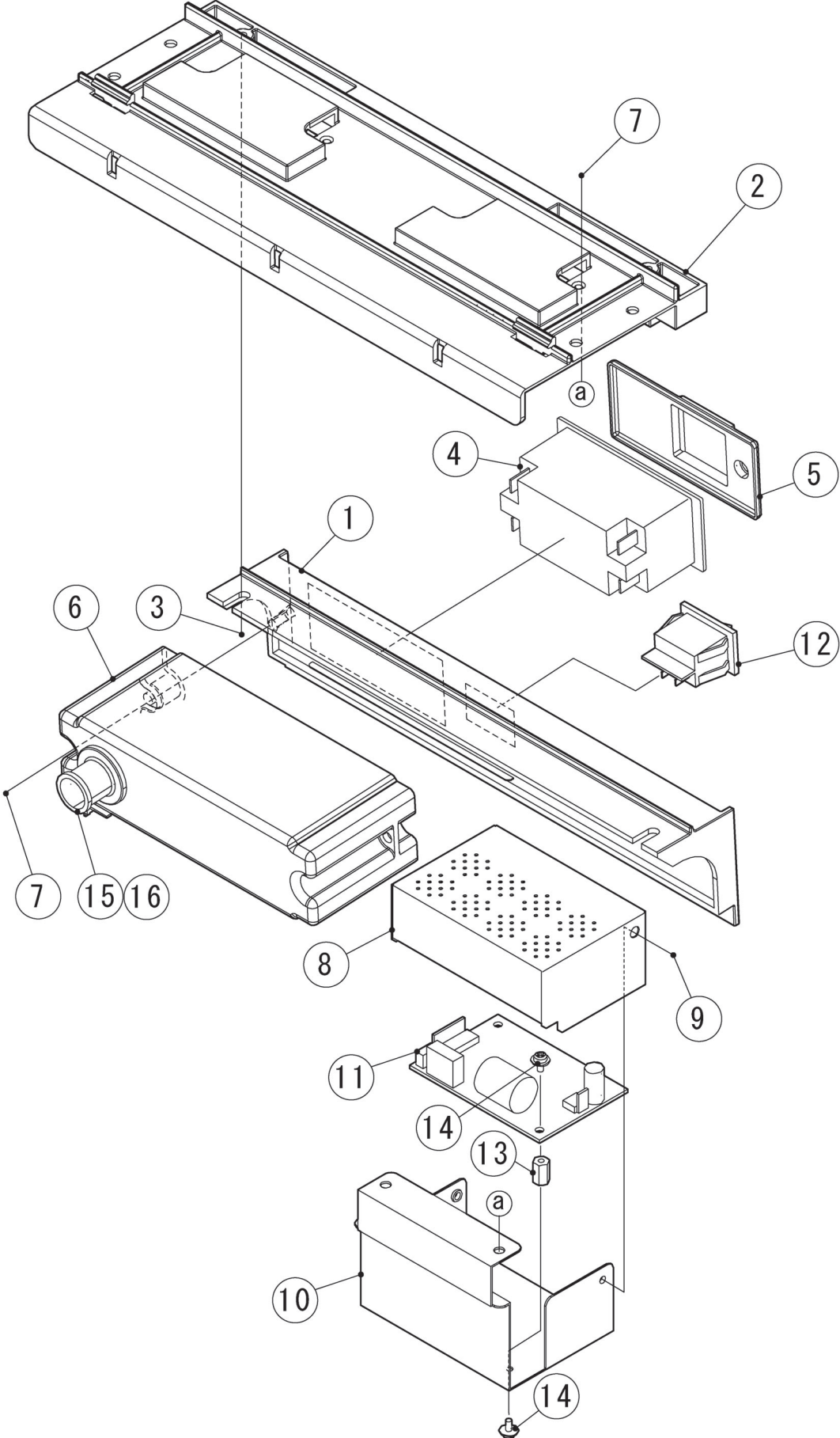
| MODEL: HNC-120BA-L/R-SLH<br>HNC-150BA-L/R-SLH<br>HNC-180BA-L/R-SLH<br>HNC-210BA-L/R-SLH |                                   | TITLE: B. REFRIGERATION AY |             |              |  |  |  |  |
|---|-----------------------------------|----------------------------|-------------|--------------|--|--|--|--|
| INDEX NO.   | DESCRIPTION                       | MATERIAL OR MODEL NUMBER   | PART NUMBER | REQ'D NUMBER |  |  |  |  |
|   |                                   |                            |             | J-1          |  |  |  |  |
| 1   | BASE/UNIT                         | (L)                        | 2R6594M04   | 1            |  |  |  |  |
|   |                                   | (R)                        | 2R6594M03   | 1            |  |  |  |  |
| 2   | COMPRESSOR                        | (120)(150)<br>CL0547-PA    | P04936-01   | 1            |  |  |  |  |
|   |                                   | (180)(210)<br>CL0768-PA    | P04937-01   | 1            |  |  |  |  |
| 3   | RUBBER GROMMET                    |                            | P02013-01   | 4            |  |  |  |  |
| 4   | FLAT WASHER                       |                            | FWPL10S0    | 2            |  |  |  |  |
| 5   | SNAP PIN                          |                            | 715S-0010   | 2            |  |  |  |  |
| 6   | COVER - CHARGE TUBE               |                            | 4Z0510P01   | 2            |  |  |  |  |
| 7   | STRAP                             |                            | 451041-01   | 1            |  |  |  |  |
| 8   | CONDENSER                         |                            | P01558-01   | 1            |  |  |  |  |
| 9   | TRUSS HEAD TAPPING SCREW (S-TITE) |                            | FTS0408M0   | 5            |  |  |  |  |
| 10  | COPPER TUBE A/HI                  | (L)                        | 4R6329M01   | 1            |  |  |  |  |
|   |                                   | (R)                        | 4R6117M01   | 1            |  |  |  |  |
| 11  | DRIER                             | DY-15QHD-9                 | 458772-01   | 1            |  |  |  |  |
| 12  | COPPER TUBE (K)                   |                            | 4R5252M02   | 1            |  |  |  |  |
| 13  | HEAT EXCHANGER L                  | (L)                        | 2R7137G01   | 1            |  |  |  |  |
|   | HEAT EXCHANGER R                  | (R)                        | 2R7141G01   | 1            |  |  |  |  |
| 14  | EXPANSION VALVE                   | HYP2-5VHD-1                | P04945-01   | 1            |  |  |  |  |
| 15  | COPPER TUBE -EVAPORATOR           | (L)                        | 3S4055M01   | 1            |  |  |  |  |
|   |                                   | (R)                        | 3S4055M02   | 1            |  |  |  |  |
| 16  | INSULATION TUBE                   | (520mm)                    | 3S3791P04   | 1            |  |  |  |  |
| 17  | COPPER TUBE - PROCESS             |                            | 4Z0509M01   | 1            |  |  |  |  |
| 18  | BUSHING                           | SR-7K-2                    | 420472-02   | 1            |  |  |  |  |
| 19  | POWER SUPPLY CORD/ASSY            |                            | 4R5126A01   | 1            |  |  |  |  |
| 20  | COVER A/EXPV                      |                            | 321949-07   | 1            |  |  |  |  |
| 21  | COVER B/EXPV                      |                            | 321949-08   | 1            |  |  |  |  |
| 22  | SHROUD                            | (L)                        | 3S1772M02   | 1            |  |  |  |  |
|   |                                   | (R)                        | 3S1772M01   | 1            |  |  |  |  |
| 23  | FAN MOTOR                         | 11938MB-A1M-SA-01          | P03371-01   | 1            |  |  |  |  |
| 24  | TRUSS HEAD TAPPING SCREW T2       |                            | FT20410M0   | 2            |  |  |  |  |
| 25  | REDUCER                           |                            | 420915-11   | 1            |  |  |  |  |
| 26  | BRACKET (L) - CAPACITOR           | 3Z1061A01                  | 3Z1062M01   | 1            |  |  |  |  |
|   | BRACKET (R) - CAPACITOR           | 3Z1061A02                  | 3Z1062M02   | 1            |  |  |  |  |



HNC-120BA-L/R-SLH  
HNC-150BA-L/R-SLH  
HNC-180BA-L/R-SLH  
HNC-210BA-L/R-SLH

C. ELB BRACKET AY

(J-1) and later





HNC-120BA-L/R-SLH  
HNC-150BA-L/R-SLH  
HNC-180BA-L/R-SLH  
HNC-210BA-L/R-SLH

D. ACCESSORIES

(J-1) and later

